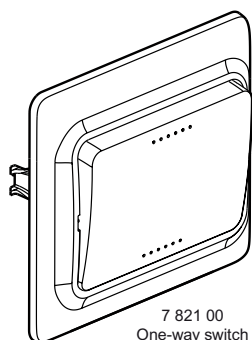


**Kaptika™**  
**Switches, sockets, RJ 11 telephone sockets,**  
**RJ 45, TV socket and cable outlet**

Cat. No(s):  
7 821 00/01/02/03/04/05/06/07/10/11/12/13/14/15/16/20/21/24/27  
7 821 30/31/32/33/34/35/36/37/40/41/42/43/44/45/46/50/51/54/57



7 821 00  
One-way switch



Two way switch



Switch with  
indicator fonction



Double one-way switch  
with indicator fonction



Socket 2 P



Double socket  
2 P



Socket 2 P + E



Cable outlet



RJ 11 phone socket



TV socket



Double socket  
2 P + E

**1. USE**

Kaptika is a short range of simple and basic wiring devices consist of commands with or without LED's indicator and sockets outlets 2 P or 2 P + E, 16 A.

- General lighting control mechanisms 10 AX - 250 V
- Socket German standard mechanisms 16 A - 250 V
- Mechanisms supplied complete with cover plates and plates.
- Screw or claw mounting.
- Brilliant finishing.






**2. RANGE**

	Cat. No.		Designation	Weight (g)
	White RAL R910	Ivory RAL R113		
	7 821 00 7 821 05 7 821 06 7 821 07	7 821 30 7 821 35 7 821 36 7 821 37	- One-way switch - Push button - Push button with indicator function - Push button with bell symbol	40
	7 821 04	7 821 34	Two-way switch	
	7 821 01	7 821 31	One -way switch with indicator function Supplied with a green LED 0.63 mA. Connection as a starters indicator or locator function.	
	7 821 02	7 821 32	Double one-way switch	44
	7 821 03	7 821 33	Double one-way switch with indicator function. Supplied with a green LED 0.63 mA. Connection as a starters indicator or locator function on one circuit. (only one LED light circuit)	
	7 821 10 7 821 20	7 821 40 7 821 50	2 P socket outlet 2 P socket outlet with shuttered for child safety	48
	7 821 27	7 821 57	2 P + E - 16 A Franco-belge with shutters for child safety	52
	7 821 12	7 821 42	2 x 2 P socket outlet	67

**Kaptika™**  
**Switches, sockets, RJ 11 telephone sockets,**  
**RJ 45, TV socket and cable outlet**

Cat. No(s):  
 7 821 00/01/02/03/04/05/06/07/10/11/12/13/14/15/16/20/21/24/27  
 7 821 30/31/32/33/34/35/36/37/40/41/42/43/44/45/46/50/51/54/57

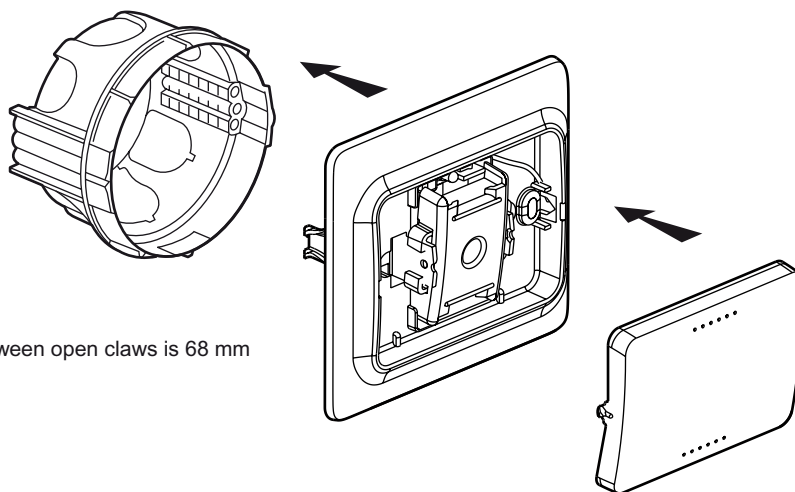
**2. RANGE** (continued)

	Cat. No.		Designation	Weight (g)
	White RAL R910	Ivory RAL R113		
	7 821 11 7 821 21	7 821 41 7 821 51	2 P+E german standard socket outlet 2 P+E german standard with shutters children socket outlet	52
	7 821 13	7 821 43	2 x 2 P + E German standard socket outlet.	67
	7 821 14	7 821 44	RJ 11 telephone socket. Automatic connection with perforation of the insulating material. Supplied with a tool.	37
	7 821 24	7 821 54	RJ 45 - UTP - Cat. 5e	
	782 115	782 145	Television socket. Terminal TV socket, male connector 9.52 mm diameter. Attenuation ≤ 2 dB. Star wiring connection possible.	38
	782 116	782 146	Cable outlet. Supplied with cable ties.	31

**3. INSTALLATION**

The mechanisms are flush-mounted.

**3.1 Claw mounting**



The distance between open claws is 68 mm

# Kaptika™

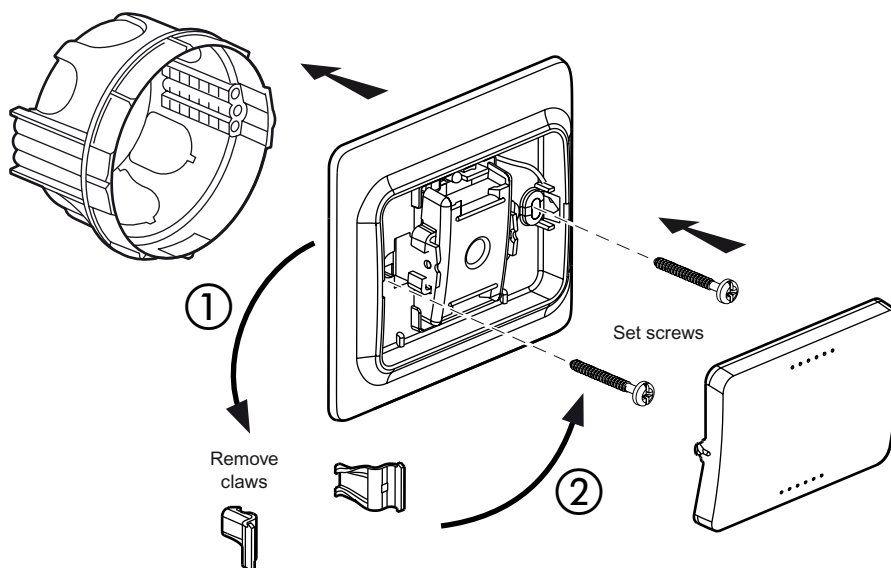
## Switches, sockets, RJ 11 telephone sockets, RJ 45, TV socket and cable outlet

Cat. No(s):  
 7 821 00/01/02/03/04/05/06/07/10/11/12/13/14/15/16/20/21/24/27  
 7 821 30/31/32/33/34/35/36/37/40/41/42/43/44/45/46/50/51/54/57

### 3. INSTALLATION (continued)

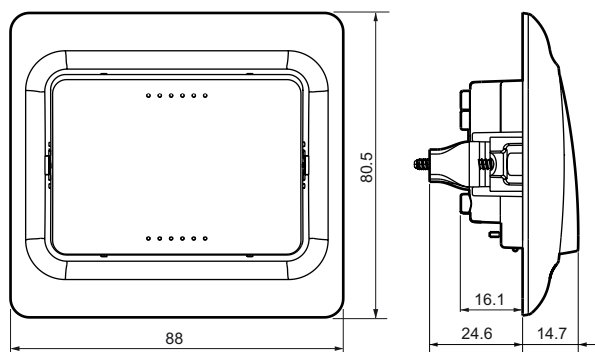
The mechanisms are flush-mounted.

#### 3.2 Screw mounting

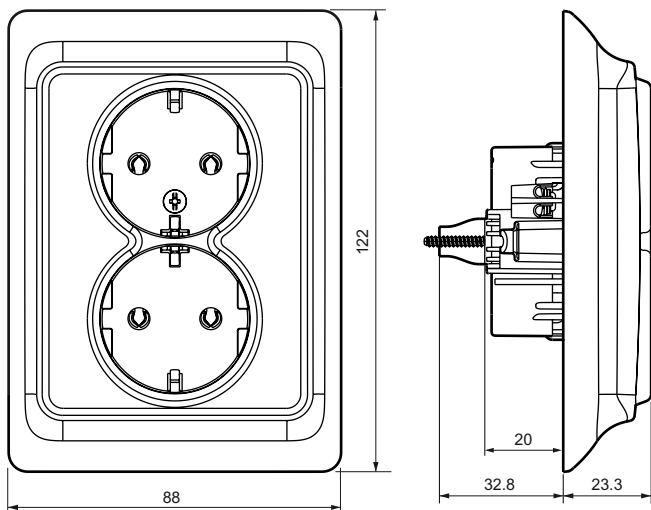


### 4. OVERALL DIMENSIONS

- Allmost functions (except double sockets)



- Double sockets



### 5. CONNECTION

Terminal type: screws  
 Screwdriver to be used: 4 mm flathead  
 Stripping length: 10 mm  
 Terminal capacity: - Sockets: 2 x 2.5 mm<sup>2</sup> (rigid wire)  
 - Switches: 2 x 1.5 mm<sup>2</sup> (rigid wire)

### 6. TECHNICAL DATA

#### 6.1 Mechanical characteristics

Impact resistance: IK 02  
 Penetration of solids/liquids: IP 20  
 Claw fixing: pull-out resistance 100 N

#### 6.2 Material characteristics

Self-extinguishing:  
 - 850° C/30 s for insulating materials necessary to retain current-carrying parts  
 - 650° C/30 s for other insulating materials.  
 Voltage: 250 V~

#### 6.3 Climatic characteristics

Storage temperatures: - 25° C to + 40° C  
 Operating temperatures: - 5° C to + 40° C

### 7. COMPLIANCE - APPROVALS

Switches conform to CEI 60669-1 - EN 60669-1  
 Sockets conform to CEI 60884-1  
 SNI certificate No. PCS 00081.01.01 (socket outlets)  
 SNI certificate No. PCS 0081.02.01 (switches)