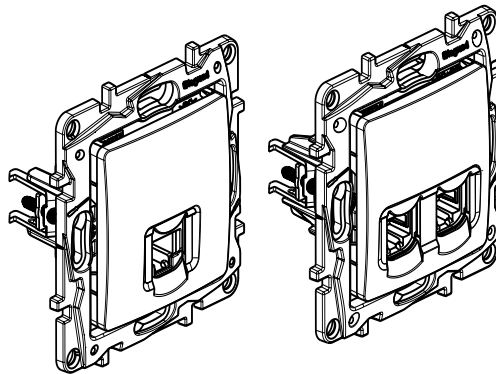


Niloe™
RJ socket

Catalogue number(s): 7 645 72/73/74/75/76/77/78
 7 646 73/74
 7 647 73/74



1. USE

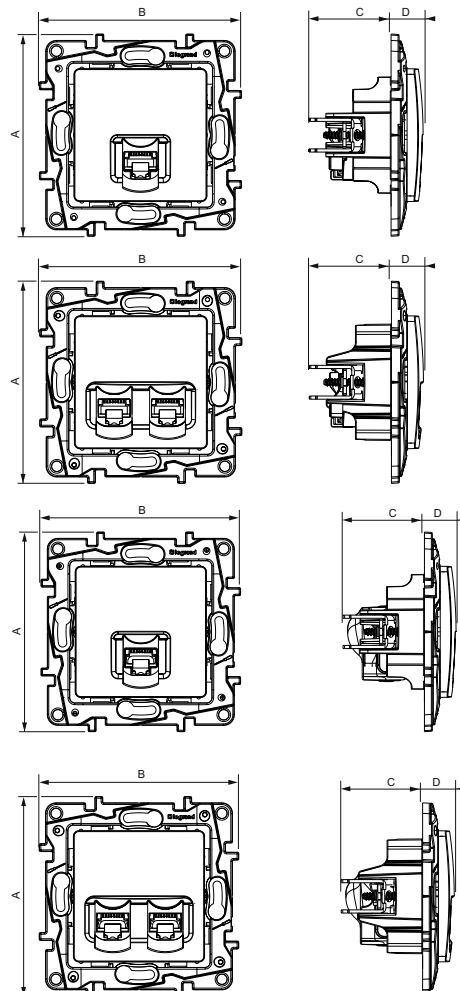
RJ sockets:

- RJ 11 sockets: telephone
 - RJ45 FTP/UTP sockets - Cat. 6 : telephone, data
 - RJ45 STP sockets - Cat. 6 : multimedia, telephone, data, TV
- Mechanisms to be fitted with finishing plates.
 Flush or surface-mounting.
 Screw or claw fixing.

2. RANGE

RJ 45 SOCKETS	Colour		
	White RAL 903	Ivory RAL 113	Brown
 RJ 11 + RJ 45 cat 6 UTP	7 645 72		
 RJ 45 cat 6 UTP	7 645 73	7 646 73	7 647 73
 2XRJ 45 cat 6 UTP	7 645 74	7 646 74	7 647 74
 RJ 45 cat 6 FTP	7 645 77		
 2XRJ 45 cat 6 FTP	7 645 78		
 RJ 45 cat 6 STP	7 645 75		
 2XRJ 45 cat 6 STP	7 645 76		

3. DIMENSIONS (mm)



Références		A	B	C	D
RJ45 cat6 UTP	7 64x 73	75,8	75,8	31	12
RJ11 + RJ45 cat6 UTP	7 64x 72				
2XRJ45 cat 6 UTP	7 64x 74				
RJ45 cat6 FTP	7 64x 77				
2XRJ45 cat6 FTP	7 64x 78				
RJ45 cat6 STP	7 64x 75				
2XRJ45 cat6 STP	7 64x 76				

4. TECHNICAL CHARACTERISTICS

4.1 Mechanical characteristics

Protection against solid bodies and liquids: IP 20
Protection against impacts: IK 04

4.2 Material characteristics

Poly gloss appearance
Colour: White, Aluminium, Grey, Ivory
Material:

- Plate: ABS
- Socket cover plate: Polycarbonate
- Halogen-free
- UV resistant

Self-extinguishing:

- +850°C/30 sec for insulating parts holding live parts in place.
- + 650°C/30 sec for other parts made of insulating materials.

4.3 Climate characteristics

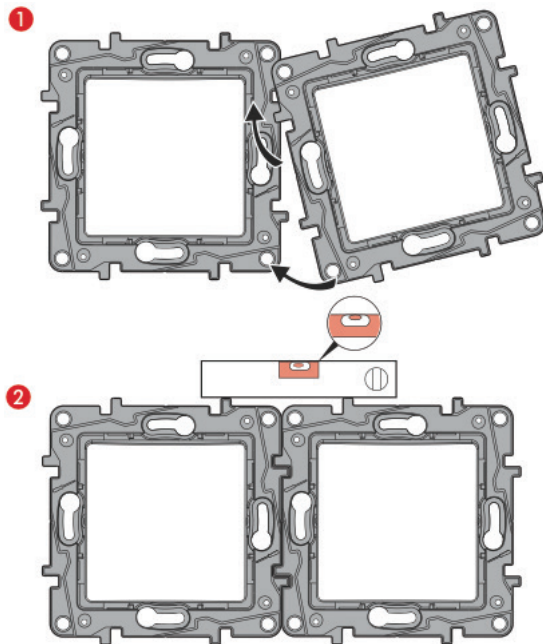
Storage and operating temperature: -5°C to +35°C

4.4 Support characteristics

Material: RAL 737 grey halogen-free polycarbonate
High impact resistance and torsional strength due to the thickness of the support.

Easy guidance for positioning the mechanisms.

Horizontal or vertical alignment without lifting up the mechanisms too much.



5. CARE

Clean the surface with a cloth.

Do not use: acetone, tar-removing cleaning agents or trichloroethylene.

Warning: Always test before using other special cleaning products.

6. STANDARDS AND APPROVALS

RJ45: Meets standards: ISO 11801 Edition 2
CENELEC EN 50173-1 2007
ANSI/TIA 568 C.2
ISO/IEC series 60603-7