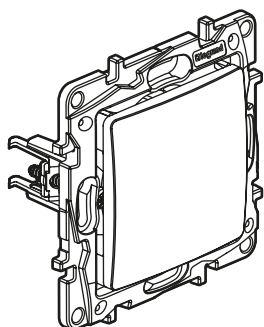


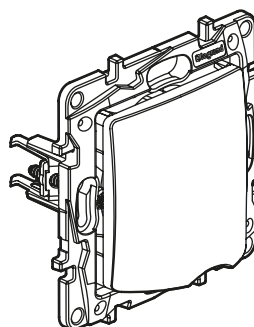
# Niloé™

## Cable outlets and adaptors

Cat. Nos: 7 645 45 - 7 646 45 - 7 647 45  
 7 645 46 - 7 646 46 - 7 647 46



7 645 45



7 645 46

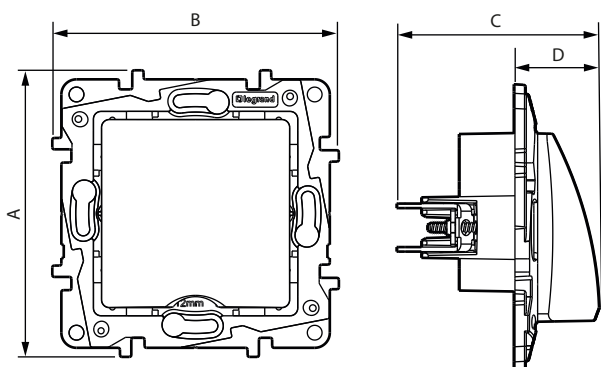
### 1. USE

The mechanisms are supplied with cover plates and support frames. Flush-mounting or surface-mounting. Fixing with screws and or with claws.

### 2. RANGE

Designation	White	Ivory	Brown
Blanking adaptor, accept 2-module mechanisms (except special surface-mounting type). To be equipped with plate.	7 645 45	7 646 45	7 647 45
Associated cable outlet, equipped with cable grips. Maximum diameter of the cable: 12 mm. To be equipped with plate.	7 645 46	7 646 46	7 647 46

### 3. DIMENSIONS (mm)



References	A	B	C	D
7 645 45 - 7 646 45 - 7 647 45	76	76	43	12
7 645 46 - 7 646 46 - 7 647 46	76	76	54	23

### 4. CONNECTION

Type of terminals: automatics  
 Terminals capacity: 2 x 2.5 mm<sup>2</sup>  
 Stripping length: 13 mm  
 Compatible flexible or rigid cables

### 5. TECHNICAL CHARACTERISTICS

#### ■ 5.1 Mechanical characteristics

Protection against solide bodies and liquids: IP 20  
 Protection against impacts: IK 02

#### ■ 5.2 Material characteristics

Polyglass appearance  
 Colour: - White RAL 9003  
 - Ivory RAL 1013  
 - Brown RAL 8017

Material: - Cover plate: painted PC  
 - Halogen-free  
 - UV resistant

Material of the support: - PC grey RAL 7037 + 10 % glass fiber  
 - Halogen free

Self-extinguishing:  
 + 850° C / 30 s for insulating parts holding live parts in place  
 + 650° C / 30 s for other parts made of insulating materials

#### ■ 5.3 Electrical characteristics

Voltage: 250 V~  
 Current: 16 A  
 Frequency: 50/60 Hz

#### ■ 5.4 Climatic characteristics

Storage temperature: - 10° C to + 70° C  
 Use temperature: - 5° C to + 35° C

### 6. CLEANING

Surface cleaning with a cloth.  
 Do not use: acetone, tar remover, trichloroethylene.

Resistance to the cleaning agents: Hexane (NF C 61-314), Methylated spirit, Soapy water, Diluted ammonia, Diluted pure bleach 10%, Glass cleaning substances, Pre-impregnated wipes.

**Caution:** A preliminary test should be carried out if other specific cleaning products are to be used.

### 7. STANDARDS AND APPROVALS

Conforme aux normes d'installation et de fabrication.  
 Voir e. catalogue.