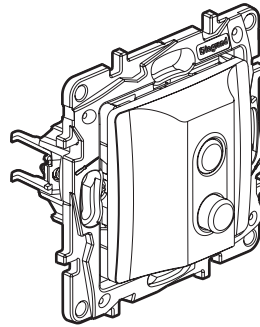


Niloé™ Circuit breaker

Cat. No(s): 7 645 18/19 - 7 646 18/19



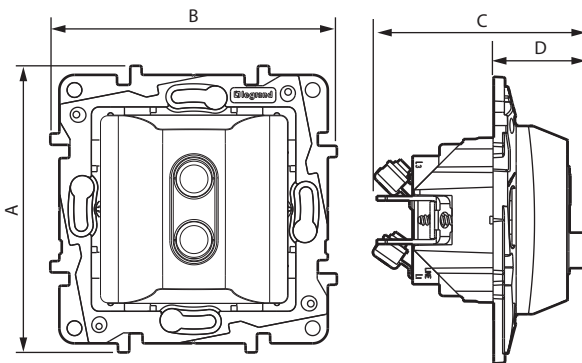
1. USE

Circuit breaker.
 Supplied with cover plates and supports.
 To be equipped with plates.
 Flush-mounting or surface-mounting.
 Screw or claw fixing.

2. RANGE

Description	White	Ivory
Circuit breaker 15 A	7 645 18	7 646 18
Circuit breaker 20 A	7 645 19	7 646 19

3. DIMENSIONS (mm)



A	B	C	D
76	76	57	25

4. CONNECTION

Type of terminals: with screws
 Terminal capacity: 2 x 2.5 mm²
 Stripping length: 8 mm
 Flexible or rigid cables compatible

5. TECHNICAL CHARACTERISTICS

■ 5.1 Mechanical characteristics

Protection against solid bodies and liquids: IP20
 Protection against impacts: IK 04

■ 5.2 Material characteristics

Polyglass appearance
 Colour: - White RAL 9003
 - Ivory RAL 1013

Material: - Mechanism housing: PC
 - Front cover: ABS
 - Halogen free
 - UV resistant
 - Claws: steel

Material of the support: - PC grey RAL 7037 + 10 % glass fiber
 - Halogen free

Self-extinguishing:
 + 850° C / 30 s for insulating parts holding live parts in place
 + 650° C / 30 s for other parts made of insulating materials

■ 5.3 Electrical characteristics

Voltage: 250 V~
 Current: 7 645 18 - 7 646 18 = 15 A
 7 646 19 - 7 646 19 = 20 A
 Frequency: 50/60 Hz

■ 5.4 Climatic characteristics

Storage temperature: - 10° C to + 70° C
 Use temperature: - 5° C to + 35° C

6. CLEANING

Surface cleaning with a cloth.
 Do not use: acetone, tar remover, trichloroethylene.

Maintenance with the following products: Hexane (EN 60669-1), Methylated spirit, Soapy water, Diluted ammonia, Bleach diluted to 10%, Window-cleaning products.

Caution: A preliminary test should be carried out if other specific cleaning products are to be used.

7. STANDARDS AND APPROVALS

Compliance with standards of installation and manufacturing.
 Refer to e. catalogue.