

Product Environmental Profile

Valena™ Life

Simple two-way Switch 10 AX - White



LEGRAND'S ENVIRONMENTAL COMMITMENTS

• **Incorporate environmental management into our industrial sites**

Of all Legrand sites worldwide, over 80% are ISO 14001-certified (sites belonging to the Group for more than five years).

• **Involve the environment in product design**

Provide our customers with all relevant information (composition, consumption, end of life, etc.).

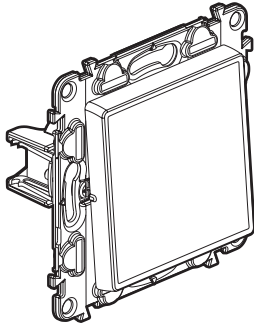
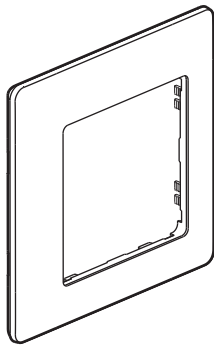
Reduce the environmental impact of products over their whole life cycle.

• **Offer our customers environmentally friendly solutions**

Develop innovative solutions to help our customers design more energy efficient, better managed and more environmentally friendly installations



REFERENCE PRODUCT

Function	Allow the making and breaking, in air, of a 250 V low voltage circuit, carrying a load current not exceeding 10 A, according to the standards IEC 60669-1 and IEC60529, for household or similar purposes, during 20 years.	
Reference Product		
	Cat. No 7 521 06	Cat. No 7 540 01
	Simple two way switch 10 AX - White	

The company reserves the right to change specifications and designs without notice. All illustrations, descriptions, dimensions and weights in the document are for guidance and cannot be held binding on the company.



PRODUCTS CONCERNED

The environmental data are representative of the following products:

Catalogue Numbers (mechanisms with rocker)	Catalogue Numbers (mechanisms only)	Catalogue Numbers (plates)	Catalogue Numbers (rockers)
<ul style="list-style-type: none"> • 7 525 06 • 7 524 06 • 7 521 06 • 7 526 06 • 7 527 06 • 7 522 06 • 7 528 06 • 7 529 06 • 7 523 06 • 7 529 16 	<ul style="list-style-type: none"> • 7 520 06 • 7 520 16 	<ul style="list-style-type: none"> • 7 540 01 • 7 540 41 • 7 543 91 • 7 540 07 • 7 541 37 	<ul style="list-style-type: none"> • 7 550 00 • 7 550 20 • 7 550 01 • 7 550 02 • 7 550 05 • 7 550 21 • 7 550 25 • 7 550 22 • 7 550 06 • 7 550 07 • 7 550 26 • 7 550 27

Product Environmental Profile

Valena™ Life Simple two-way Switch 10 AX - White



■ CONSTITUENT MATERIALS

This Reference Product contains no substances prohibited by the regulations applicable at the time of its introduction to the market. It does not contain substances covered by the RoHS Directive (2002/95/EC and its revision 2011/65/EC). It contains none of the 138 substance in the candidate list of the REACH regulation dated 19/12/2012

Total weight of Reference Product	96 g (with unit packaging)
--	-----------------------------------

Plastics as % of weight		Metals as % of weight		Packaging as % of weight	
PC	31.5 %	Steel	34.0 %	Paper	11.1 %
ABS	16.4 %	Copper alloys	4.6 %		
PET	2.5 %				
		Silver alloys	< 0.1 %		
Total plastics	50.3 %	Total metals	38.6 %	Total others (packaging)	11.1 %

Estimated recycled material content: 23 % of weight.



■ MANUFACTURE

The Reference Product comes from sites that, in their majority, have received ISO14001 certification.



■ DISTRIBUTION

Products are distributed from logistics centres located with a view to optimize transport efficiency. The Reference Product is therefore transported over an average distance of 1405 km, by road from our warehouse to the local point of distribution into the market in Europe.

Packaging is compliant with european directive 2004/12/EC concerning packaging and packaging waste. At the packaging end of life, its recyclability rate is of 100 % (in % of packaging weight).



■ INSTALLATION

Installation components not delivered with the product are not taken into account.



■ USE

Service and maintenance:

Under normal conditions of use, this type of product requires no servicing or maintenance.

Consumable:

No consumables are necessary to use this type of product.

Product Environmental Profile

Valena™ Life

Simple two-way Switch 10 AX - White



END OF LIFE

Development teams integrate product end-of-life factors in the design phase. Dismantling and sorting of components or materials is made as easy as possible with a view to recycling or failing that, another form of reuse.

The sale of this product is subject to a contribution to eco-organisations in each country responsible for managing end-of-life products in the field of application of the European Waste Electronic and Electrical Equipment Directive.

• Recyclability rate:

Calculated using the method described in technical report IEC/TR 62635, the recyclability rate of the product is estimated at 98 %. This value is based on data collected from a technological channel operating on an industrial basis. It does not prejudice the effective use of the channel for electrical and electronic products at the end of their life.

Separated into:

- plastic materials (excluding packaging): 48 %
- metal materials (excluding packaging): 39 %
- packaging (all types of materials): 11 %



ENVIRONMENTAL IMPACTS

The evaluation of environmental impacts examines the stages of the Reference Product life cycle: manufacturing, distribution, installation, use and end-of-life. It is representative from products marketed and used in Europe.

The following modelling elements were taken into account:

Manufacture	Unit packaging taken into account. As required by the «PEP ecopassport» programme all transport for the manufacturing of the Reference Product, including materials and components, has been taken in account
Distribution	Transport between the last Group distribution centre and an average delivery to the sales area.
Installation	Installation components not delivered with the product are not taken into account.
Use	<ul style="list-style-type: none"> • Under normal conditions of use, this type of product requires no servicing or maintenance. • No consumables are necessary to use this type of product • Product category: passive product. • Use scenario: non-continuous operation for 20 years at 30% of rated load, during 30% of the time. This modelling duration does not constitute a minimum durability requirement. • Electricity Europe - 2002.
End of life	In view of the data available on the date of creation of the document, and in accordance with the requirements of the PCR of the «PEP ecopassport» programme, transport of the Reference Product by road only once, over a distance of 1000 km, to a processing site at end of life was counted.
Software used	EIME V5 and its database «Legrand-2012-10-31 version 3» made from the data base «CODDE-2012-07».

Product Environmental Profile

Valena™ Life
Simple two-way Switch 10 AX - White



ENVIRONMENTAL IMPACTS (continued)

	Total for Life cycle		Raw material and manufacture		Distribution		Installation		Use		End of life		
	Value	Unit	Value	%	Value	%	Value	%	Value	%	Value	%	
Mandatory indicators	Global warming	1.60E+03	g~CO ₂ eq.	5.51E+02	34%	1.01E+01	< 1%	0.00E+00	0%	1.04E+03	65%	7.16E+00	< 1%
	Ozone depletion	2.84E-04	g~CFC-11 eq.	3.54E-05	12%	7.13E-06	3%	0.00E+00	0%	2.36E-04	83%	5.08E-06	2%
	Water eutrophication	7.72E-02	g~PO ₄ ³⁻ eq.	6.71E-02	87%	1.68E-04	< 1%	0.00E+00	0%	9.85E-03	13%	1.19E-04	< 1%
	Photochemical ozone creation	2.93E-01	g~C ₂ H ₄ eq.	2.14E-01	73%	8.74E-03	3%	0.00E+00	0%	6.40E-02	22%	6.22E-03	2%
	Air acidification	3.07E-01	g~H+ eq.	8.06E-02	26%	1.33E-03	< 1%	0.00E+00	0%	2.24E-01	73%	9.47E-04	< 1%
	Total energy depletion	3.03E+01	MJ	9.11E+00	30%	1.27E-01	< 1%	0.00E+00	0%	2.10E+01	69%	9.07E-02	< 1%
	Water depletion	6.09E+00	dm ³	3.37E+00	55%	1.21E-02	< 1%	0.00E+00	0%	2.70E+00	44%	8.61E-03	< 1%

Optional indicators	Raw material depletion	3.78E-15	year ⁻¹	3.77E-15	100%	1.74E-19	< 1%	0.00E+00	0%	1.40E-17	< 1%	1.24E-19	< 1%
	Air toxicity	4.00E+05	m ³	1.37E+05	34%	1.97E+03	< 1%	0.00E+00	0%	2.60E+05	65%	1.40E+03	< 1%
	Water toxicity	7.52E-01	m ³	2.89E-01	38%	1.40E-03	< 1%	0.00E+00	0%	4.61E-01	61%	1.00E-03	< 1%
	Hazardous waste production	9.47E-03	kg	9.28E-03	98%	3.75E-06	< 1%	0.00E+00	0%	1.78E-04	2%	2.67E-06	< 1%

The environmental impacts of the Reference Product are representative of the products covered by the PEP, which therefore constitute a homogeneous environmental family.

The values of these impacts are valid for the context specified in this document. They must not be used directly to draw up the environmental balance sheet for the installation.

Registration number: LGRP-2015-347-V1-EN	Drafting rule → PCR: PEP-PCR-ed 2.1-FR-2012 12 11 → PSR: PSR-0005-ed1-FR-2012 12 11
Authorisation number of checker: VH23	Programme information: www.pep-ecopassport.org
Date of issue: 12-2015	Validity period: 4 years
Independent verification of the declaration and data, in accordance with ISO 14025: 2006 Internal <input checked="" type="checkbox"/> External <input type="checkbox"/>	
In accordance with ISO 14025: 2006 Type III environmental declaration	
The critical review of the PCR was conducted by a panel of experts chaired by J. Chevalier (CSTB)	
The elements of the present PEP cannot be compared with elements from another programme	

