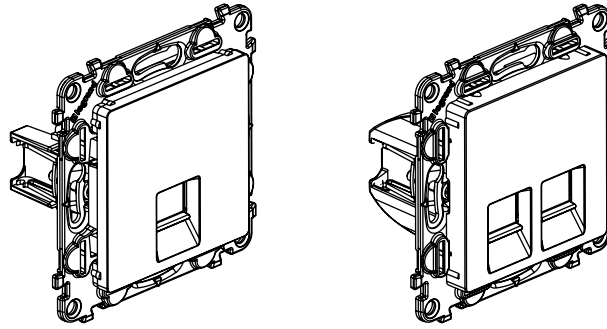


Valena Life™ - Valena™ INMATIC
Cat. 6 RJ45 sockets

Cat. Nos: 7 530 42/43/46/47 - 7 531 42/43/46/47
7 532 42/43/46/47 - 7 533 42/43/46/47
7 554 10/11/12/20/21/22



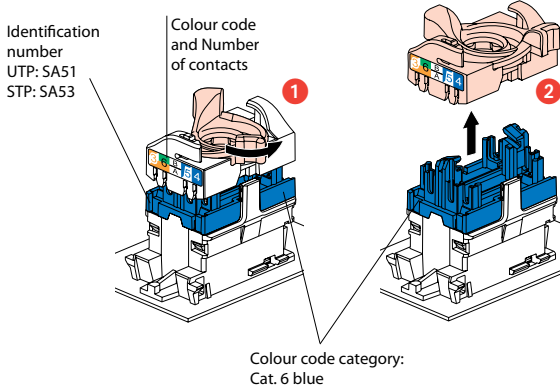
1. USE

Category 6 RJ45 socket.
 Allows high-speed transmissions (Gigabit Ethernet).

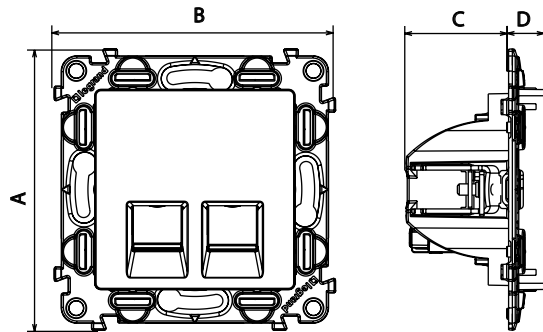
2. RANGE

Description	Mechanism + cover plate			Mechanism only	Cover plate only		
	White	Ivory	Aluminium		White	Ivory	Aluminium
UTP Cat. 6 RJ45 (claw fixing)	7 531 42	7 532 42	7 533 42	7 530 42	7 554 10	7 554 11	7 554 12
STP Cat. 6 RJ45 (claw fixing)	7 531 46	7 532 46	7 533 46	7 530 46			
Double UTP Cat. 6 RJ45 (claw fixing)	7 531 43	7 532 43	7 533 43	7 530 43	7 554 20	7 554 21	7 554 22
Double STP Cat. 6 RJ45 (claw fixing)	7 531 47	7 532 47	7 533 47	7 530 47			

3. PRESENTATION

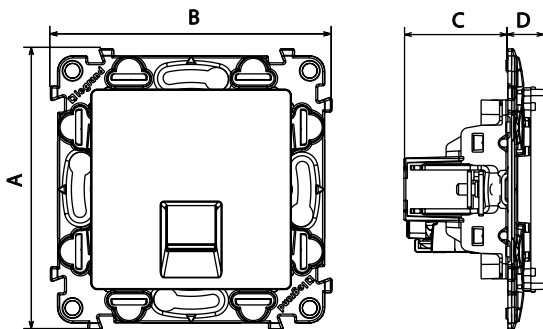


4. DIMENSIONS (mm) continued



7 531 43/47 - 7 532 43/47 - 7 533 43/47

4. DIMENSIONS (mm)

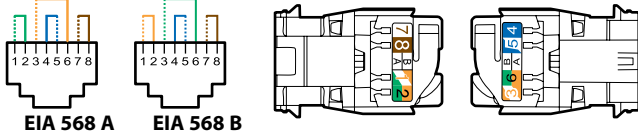


7 531 42/46 - 7 532 42/46 - 7 533 42/46

Cat. Nos.	A	B	C	D
7 531 42/46 - 7 532 42/46 - 7 533 42/46	74.7	74.7	27.6	9.8
7 531 43/47 - 7 532 43/47 - 7 533 43/47			27.2	

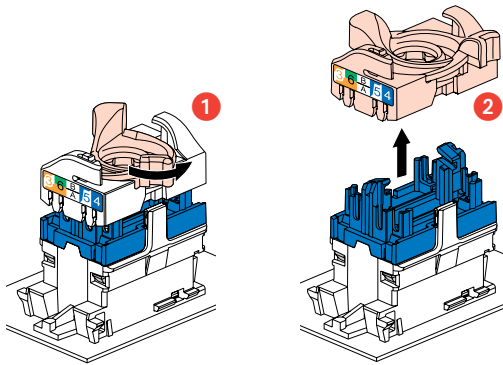
5. STANDARD RJ45 CONNECTION

Takes the following plugs:
 RJ45 (9 contacts).
 EIA/TIA 568 A and B dual colour code on terminals:
 - UTP/STP (9 contacts)

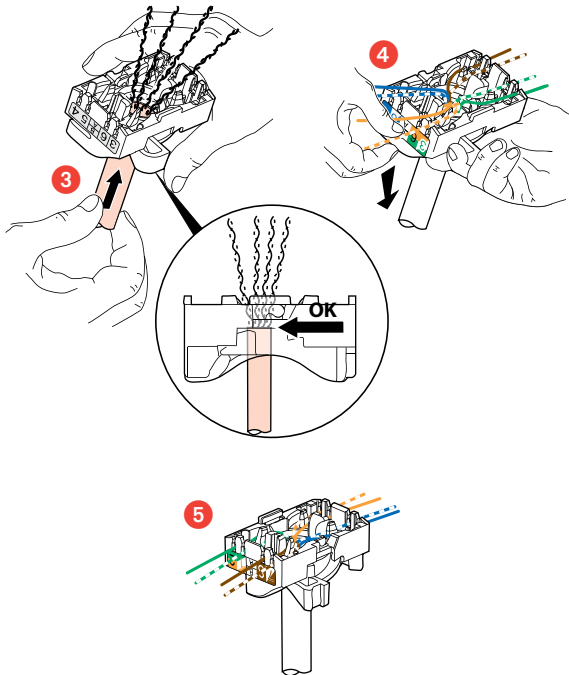


Permissible conductors:
 - Single-core: AWG 22 to 25
 - Multicore: AWG 26
 - Polyethylene conductor insulation: maximum Ø on insulation 1.58 mm

RJ45 connectors are equipped with a locking nut. They do not require a special tool and can be re-wired if a mistake is made. This system makes it easy to spread pairs before fitting them onto the connector.



Spreading the cables ensures that a pair-breakage distance of 13 mm is kept between each pair.



Spreading pairs at 90° to the cable ensures the best possible performance.

6. TECHNICAL CHARACTERISTICS

■ **6.1 Mechanical characteristics**

Maximum number of connections and disconnections: 5 without replacing the wire.
 Endurance: 2500 operations (plugging in/unplugging).
 Impact test: IK 04
 IP 21

■ **6.2 Material characteristics**

Casing: Poly gloss appearance

Colour: - White RAL 903
 - Ivory RAL 113
 - Aluminium

Material: - Plate: ABS/PC
 - Cover plate: ABS
 - Zero halogen
 - UV resistant

Motor: - Contacts: gold/nickel, thickness of gold > 0.8 em minimum
 - Metal parts: bronze, nickel, platinum, gold
 - Polycarbonate PBT

Support: - Polycarbonate/Metal
 - Zero halogen

■ **6.3 Electrical characteristics**

Breakdown voltage 1000 VDC
 Contact resistance 20 mΩ
 Insulation resistance 500 mΩ at 100 VDC
 Connector tested and guaranteed under POE signal stress, standard IEEE 802.3af and POE+, draft standard 802.3at, up to 500 load connections/disconnections.

Tests are carried out with 2 simultaneous POE+ circuits for a minimum total power of 60 VDC and 0.7 A.

■ **6.4 Climate characteristics**

Storage and operating temperature: -5°C to +35°C

7. CARE

Clean the surface with a cloth.
 Do not use acetone, tar-removing cleaning agents or trichloroethylene.
 Resistant to the following products: Hexane (EN 60669-1), methylated spirit, soapy water, diluted ammonia, bleach diluted to 10%, window-cleaning products, pre-impregnated wipes.

Caution: Always test before using other special cleaning products.

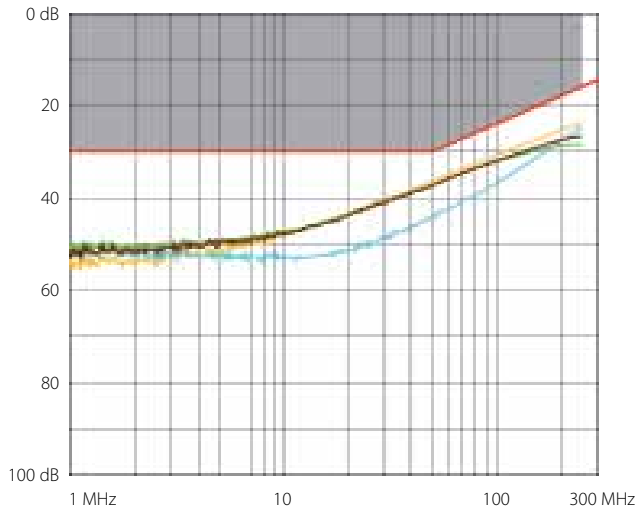
8. STANDARDS AND APPROVALS

Conforming to standards: ISO/IEC 11801 Ed2 and Amd.
 CENELEC EN 50173-1 2007
 ANSI/EIA/TIA 568-C.2
 IEC series 60603-7

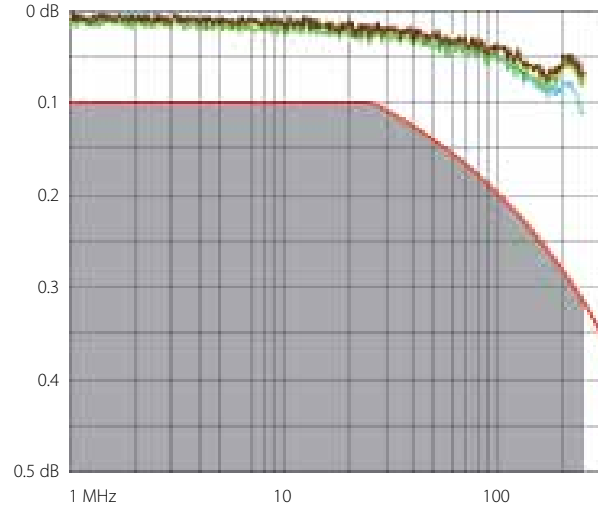
9. PERFORMANCE

■ **9.1 Performance of components (RJ45 connectors)**

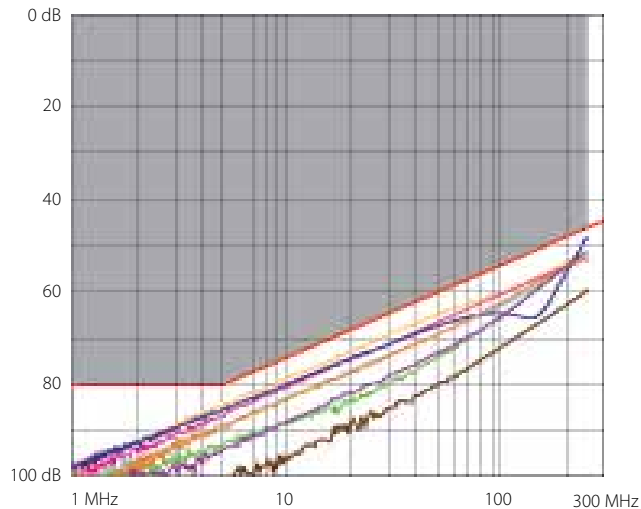
Return loss



Attenuation



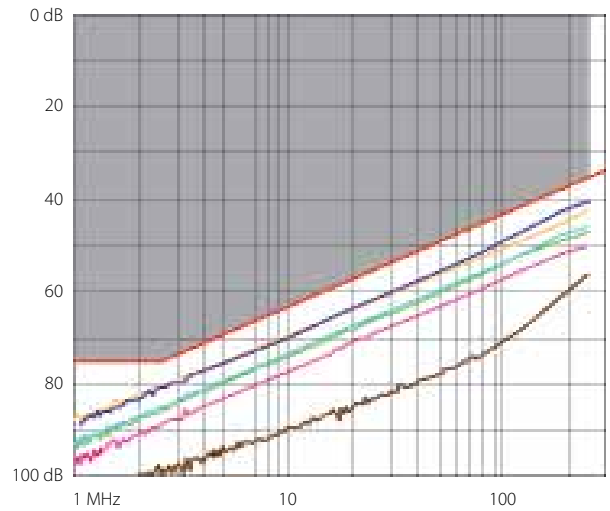
NEXT (Near End Crosstalk Attenuation)



9. PERFORMANCE (continued)

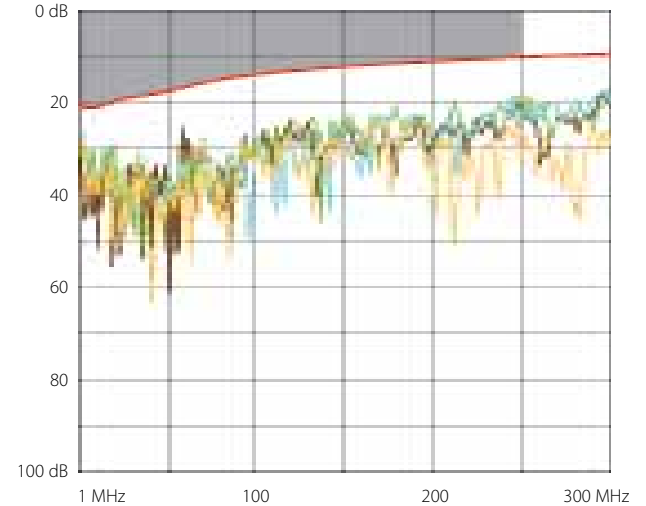
■ **9.1 Performance of components (RJ45 connectors)**

FEXT (Far End Crosstalk Attenuation)

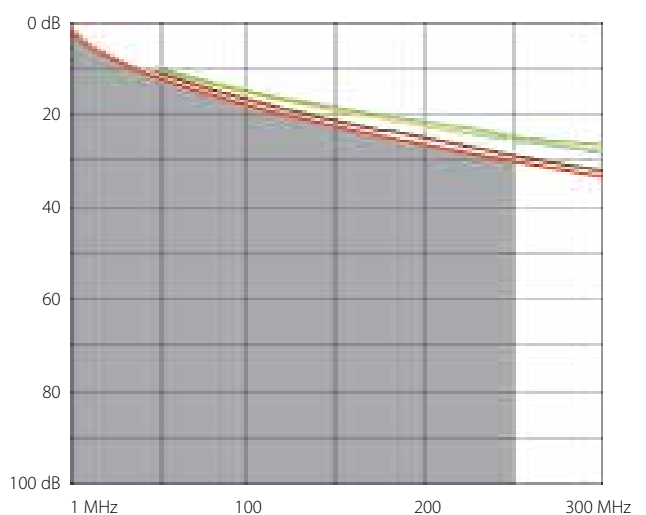


■ **9.2 Performance of permanent link with F/UTP cable**

Return loss

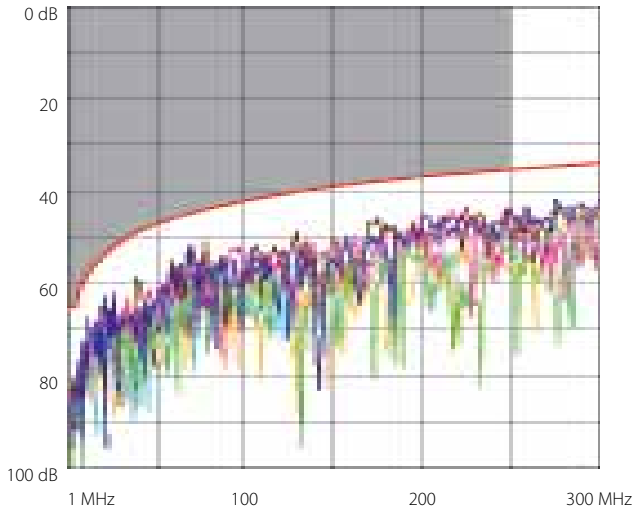


Attenuation

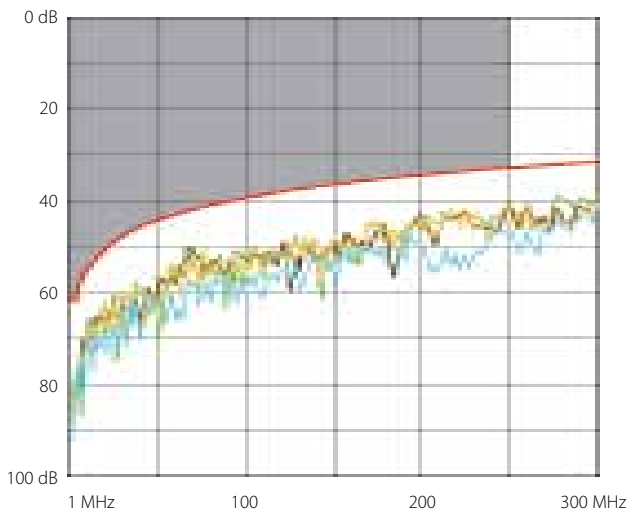


9. PERFORMANCE (continued)

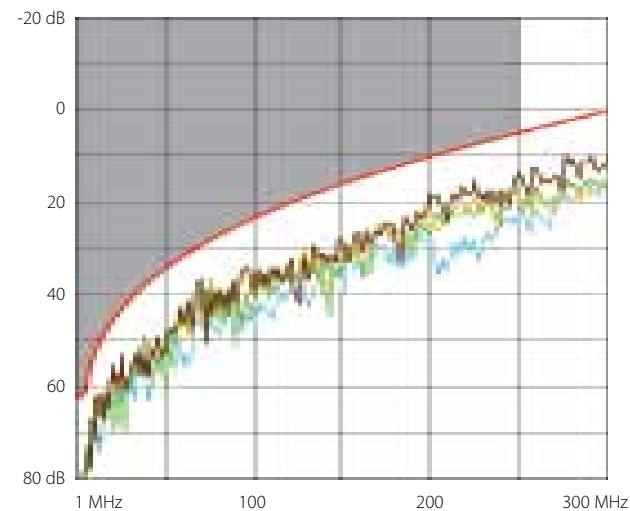
■ **9.2 Performance of permanent link with F/UTP cable**
NEXT (Near End Crosstalk Attenuation)



PS NEXT (Power Sum NEXT)

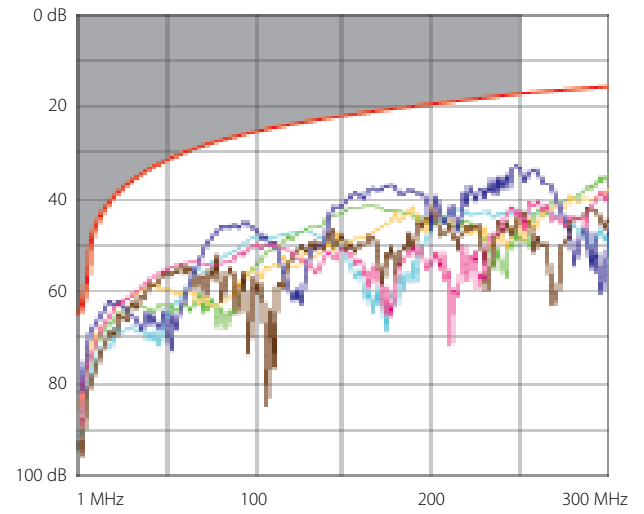


ACR (Attenuation to Crosstalk Ratio)



9. PERFORMANCE (continued)

■ **9.2 Performance of permanent link with F/UTP cable** (continued)
ELFEXT (Equal Level Far End Crosstalk Attenuation)



Delay skew

