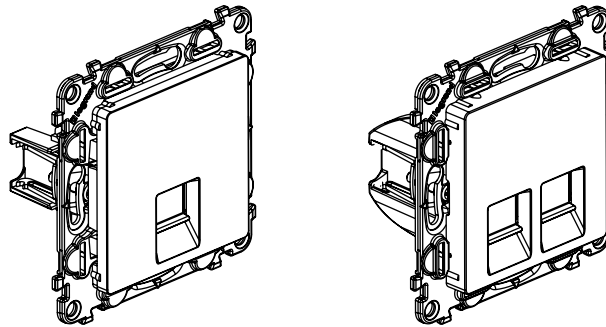


**Valena Life™ - Valena™ INMATIC**  
**Cat. 5 RJ45 sockets**

**Cat. Nos: 7 530 40/41-7 531 40/41**  
**7 532 40/41-7 533 40/41**  
**7 554 10/11/12/20/21/22**



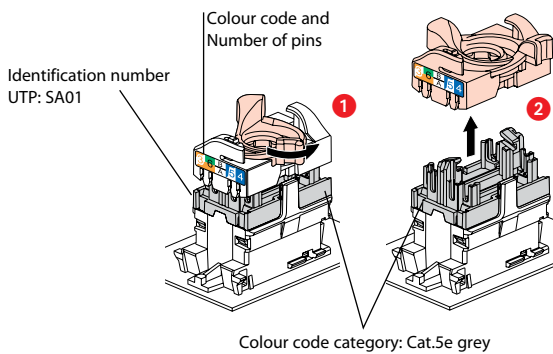
**1. USE**

Category 5 RJ45 socket.  
 Allows high-speed transmissions (Gigabit Ethernet).

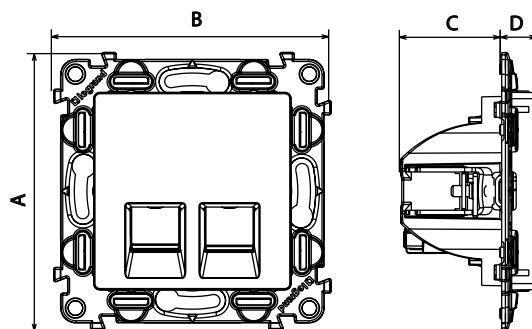
**2. RANGE**

Description	Mechanism + cover plate			Mechanism only	Cover plate only		
	White	Ivory	Aluminium		White	Ivory	Aluminium
UTP Cat. 5e RJ45 (claw fixing)	7 531 40	7 532 40	7 533 40	7 530 40	7 554 10	7 554 11	7 554 12
Double UTP Cat. 5e RJ45 (claw fixing)	7 531 41	7 532 41	7 533 41	7 530 41	7 554 20	7 554 21	7 554 22

**3. PRESENTATION**

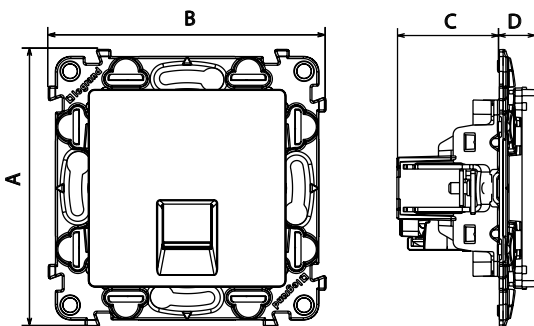


**4. DIMENSIONS (mm) (continued)**



7 531 41 - 7 532 41 - 7 533 41

**4. DIMENSIONS (mm)**



7 531 40 - 7 532 40 - 7 533 40

Cat. Nos.	A	B	C	D
7 531 40 - 7 532 40 - 7 533 40	74.7	74.7	27.6	9.8
7 531 41 - 7 532 41 - 7 533 41			27.2	

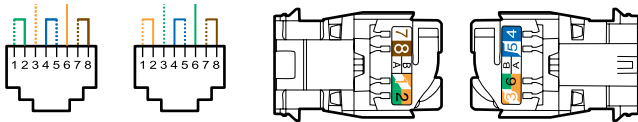
## 5. STANDARD RJ45 CONNECTION

Takes the following plugs:

RJ45 (8 contacts).

EIA/TIA 568 A and B dual colour code on terminals:

- UTP (8 contacts)



### EIA 568 A EIA 568 B

Permissible conductors:

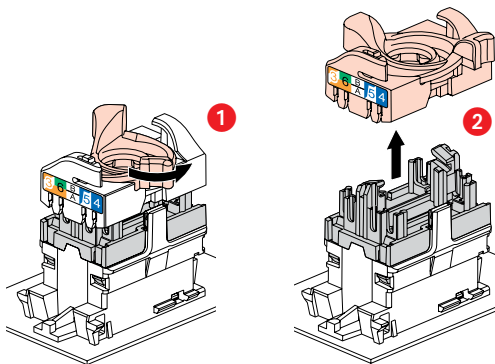
- Single-core: AWG 22 to 25

- Multicore: AWG 26

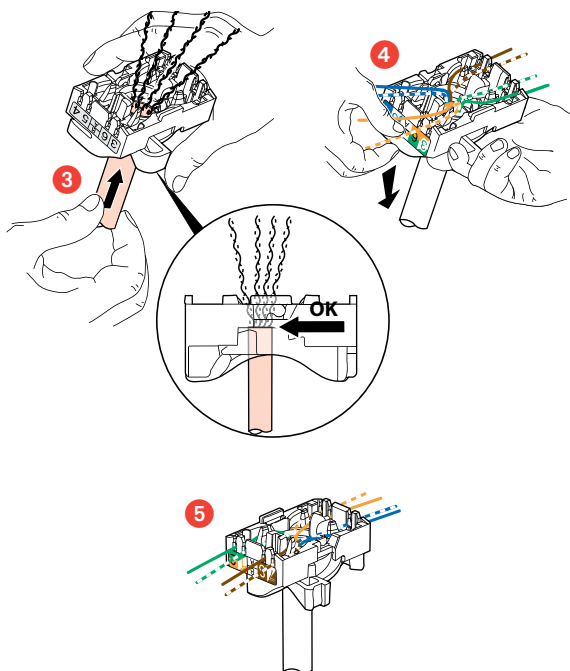
- Polyethylene conductor insulation: maximum Ø on insulation 1.58 mm

RJ45 connectors are equipped with a locking nut. They do not require a special tool and can be re-wired if a mistake is made.

This system makes it easy to spread pairs before fitting them onto the connector.



Spreading the cables ensures that a pair-breakage distance of 13 mm is kept between each pair.



Spreading pairs at 90° to the cable ensures the best possible performance.

## 6. TECHNICAL CHARACTERISTICS

### 6.1 Mechanical characteristics

Maximum number of connections and disconnections: 5 without replacing the wire.

Endurance: 2500 operations (plugging in/unplugging).

Impact test: IK 04

IP 21

### 6.2 Material characteristics

**Casing:** Poly gloss appearance

**Colour:** - White RAL 903

- Ivory RAL 113

- Aluminium

**Material:** - Plate: ABS/PC

- Cover plate: ABS

- Zero halogen

- UV resistant

**Motor:** - Contacts: gold/nickel, thickness of gold > 0.8 em minimum

- Metal parts: bronze, nickel, platinum, gold

- Polycarbonate PBT

**Support:** - Polycarbonate/Metal

- Zero halogen

### 6.3 Electrical characteristics

Breakdown voltage 1000 VDC

Contact resistance 20 mΩ

Insulation resistance 500 mΩ at 100 VDC

Connector tested and guaranteed under POE signal stress, standard IEEE 802.3af and POE+, draft standard 802.3at, up to 500 load connections/disconnections.

Tests are carried out with 2 simultaneous POE+ circuits for a minimum total power of 60 VDC and 0.7 A.

### 6.4 Climate characteristics

Storage and operating temperature: -5°C to +35°C

## 7. CARE

Clean the surface with a cloth.

Do not use acetone, tar-removing cleaning agents or trichloroethylene.

Resistant to the following products: Hexane (EN 60669-1), methylated spirit, soapy water, diluted ammonia, bleach diluted to 10%, window-cleaning products, pre-impregnated wipes.

**Caution:** Always test before using other special cleaning products.

## 8. STANDARDS AND APPROVALS

Conforming to standards: ISO/IEC 11801 Ed2 and Amd.

CENELEC EN 50173-1 2007

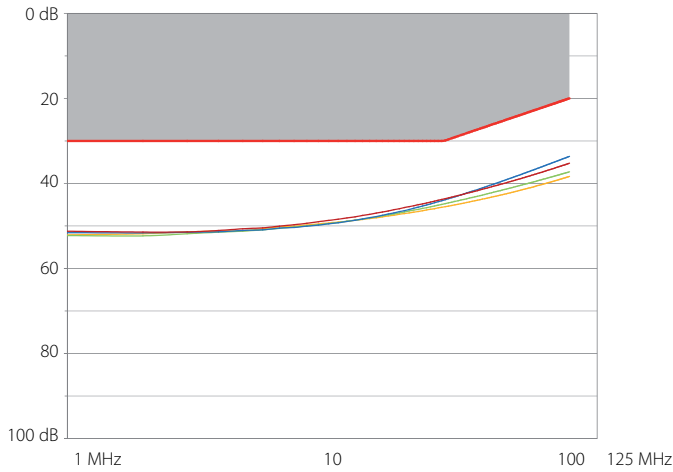
ANSI/EIA/TIA 568-C.2

IEC series 60603-7

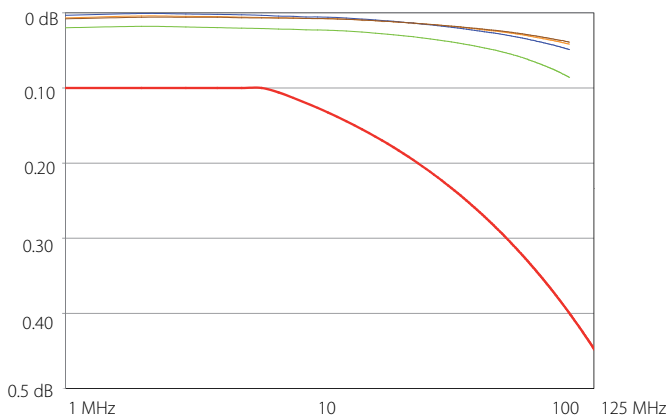
**9. PERFORMANCE**

**9.1 Performance of components (RJ45 connectors)**

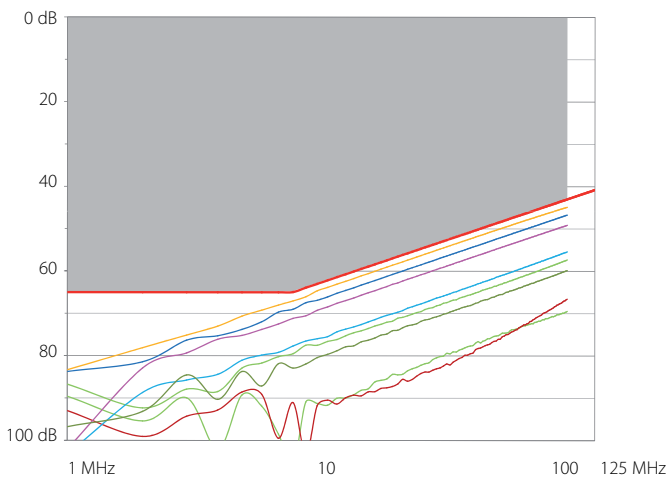
Return loss



Attenuation



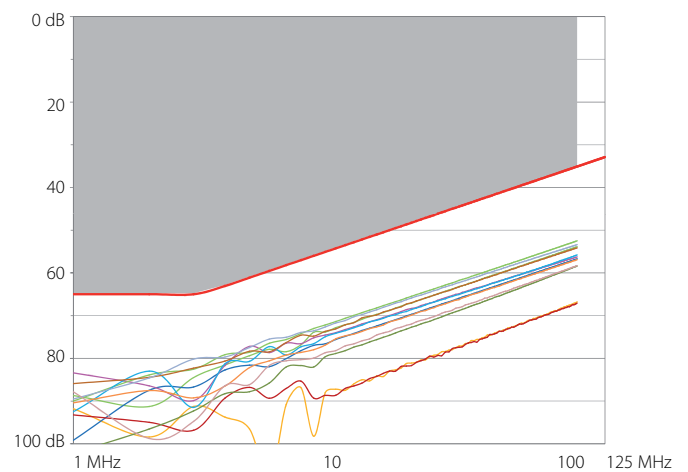
NEXT (Near End Crosstalk Attenuation)



**9. PERFORMANCE (continued)**

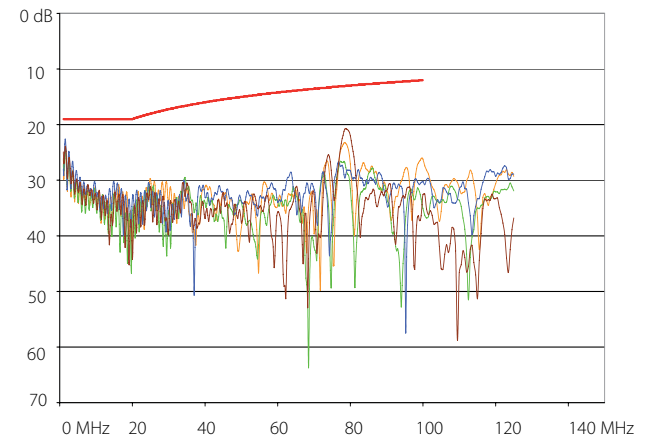
**9.1 Performance of components (RJ45 connectors) (continued)**

FEXT (Far End Crosstalk Attenuation)

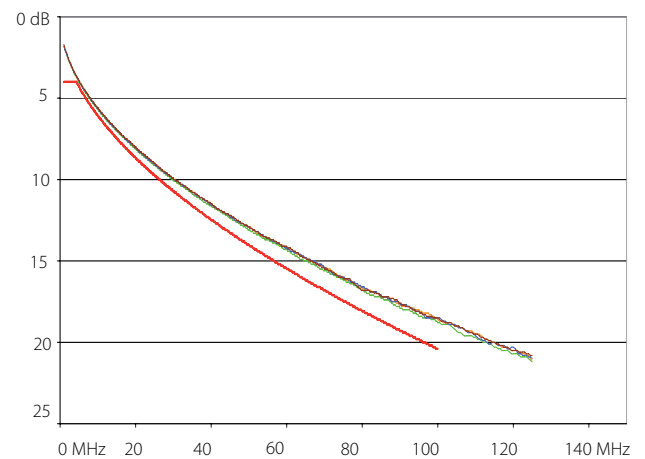


**9.2 Performance of permanent link with F/UTP cable**

Return loss

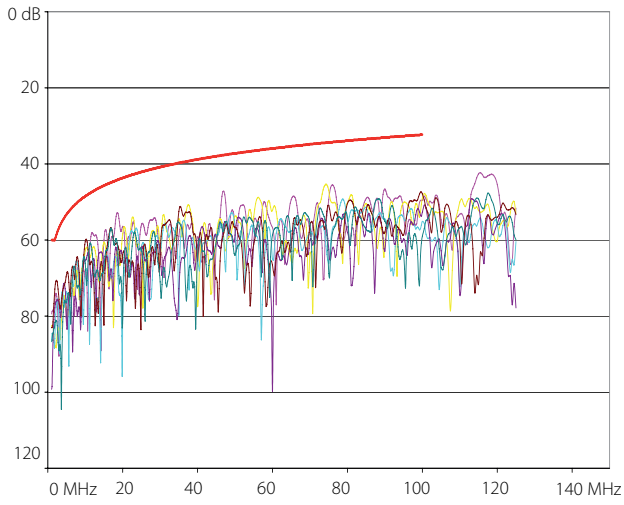


Attenuation

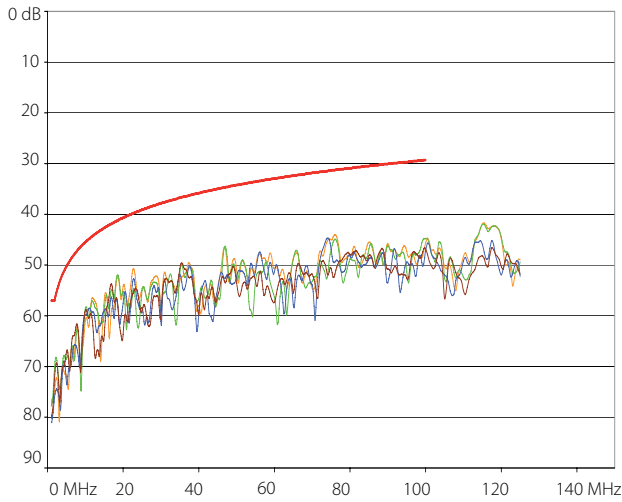


**9. PERFORMANCE**

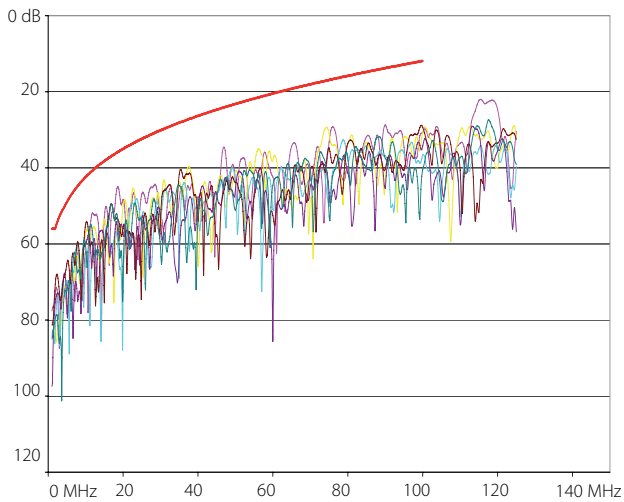
**9.2 Performance of permanent link with F/UTP cable (continued)**  
 NEXT (Near End Crosstalk Attenuation)



PS NEXT (Power Sum NEXT)



ACR (Attenuation to Crosstalk Ratio)



**9. PERFORMANCE (continued)**

**9.2 Performance of permanent link with F/UTP cable (continued)**  
 ELFEXT (Equal Level Far End Crosstalk Attenuation)

