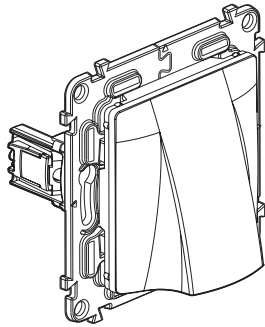
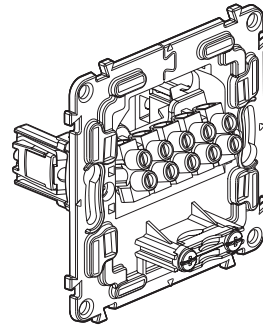


Valena™ Life - Valena™ INMATIC
Cable outlets

**Cat. No.(s): 7 531 33/34 - 7 532 33/34 - 7 533 33/34
 7 530 33/34**



7 531 33/34 - 7 532 33/34 - 7 533 33/34



7 530 33

1. USE

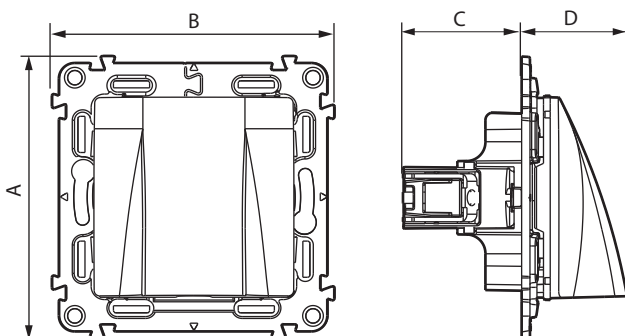
Cable outlets.
 Mechanisms supplied with:
 - Support frames
 - Site protection cover
 To be equipped with plates.
 One-gang installation, flush-mounting or surface-mounting.

2. RANGE

Description	Blanc	Ivoire	Aluminium	Without cover plate
Cable outlets with terminals Equipped with cable grips Maximum diameter of the cable: 12 mm With claws	7 531 33	7 532 33	7 533 33	7 530 33
Cable outlets without terminals Equipped with cable grips Maximum diameter of the cable: 12 mm With claws	7 531 34	7 532 34	7 533 34	7 530 34

3. OVERALL DIMENSIONS (mm) (continued)

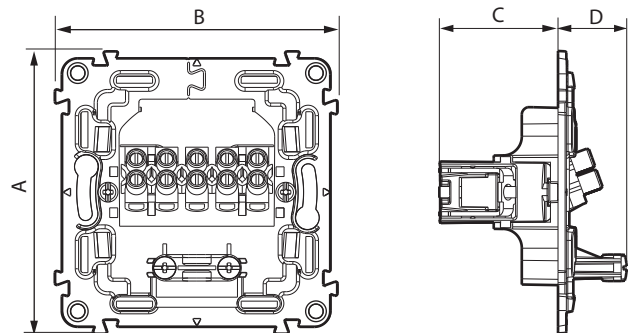
Cat. No . 7 531 33



References	A	B	C	D
7 531 33/34 7 532 33/34 7 533 33/34	74.7	74.7	31.4	27.8

3. OVERALL DIMENSIONS (mm) (continued)

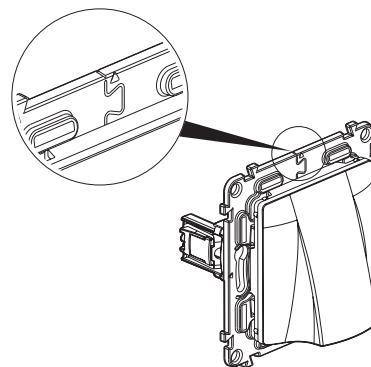
Cat. No . 7 530 33



References	A	B	C	D
7 530 33/34	74.7	74.7	31.4	18.17

4. INSTALLATION

Open the support frame for the wires .



4. CONNECTION

Type of terminals: with screws
 Capacity: 5 x 1.5 mm² - 3 x 2.5 mm²
 Stripping length: 5 mm
 Compatible flexible or rigid cables.

5. TECHNICAL CHARACTERISTICS

■ 5.1 Mechanical characteristics

Protection against solid bodies and liquids: IP 21
Protection against impact: IK 04

■ 5.2 Material characteristics

Polygloss appearance
Colour: - White RAL 903
- Ivory RAL 113
- Aluminium

Material: - Cover plates: ABS
- Halogen free
- UV resistant

Material of the support: - Polycarbonate grey RAL 737
- Halogen free

Self-extinguishing:

- + 850° C / 30 s for insulating parts holding live parts in place
- + 650° C / 30 s for other parts made of insulating materials.

■ 5.3 Electrical characteristics

Voltage: 250 V~
Current: 16 A
Frequency: 50/60 Hz

■ 5.4 Climatic characteristics

Storage and use temperature: - 5° C to + 35° C

6. MAINTENANCE

Surface cleaning with a cloth.

Do not use: acetone, tar remover, trichloroethylene.

Maintenance with the following products: Hexane (EN 60669-1),
Methylated spirit, Soapy water, Diluted ammonia, Bleach diluted to 10%,
Window-cleaning products.

Caution: A preliminary test should be carried out if other specific
cleaning products are to be used.

7. STANDARDS AND APPROVALS

Compliance with standards of installation and manufacturing.
Refer to e. catalogue.