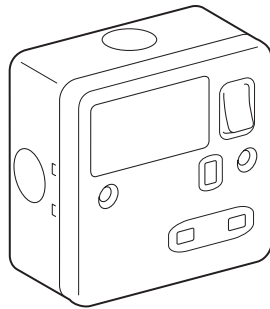
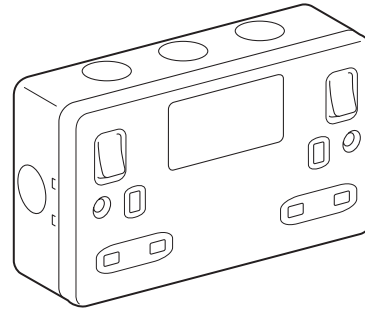


**Synergy™**  
**RCD socket ELO/ELR BS 13 A**  
**Metalclad**

Cat. No(s): 7 338 80/81/82/83



7 338 80/81



7 338 82/83

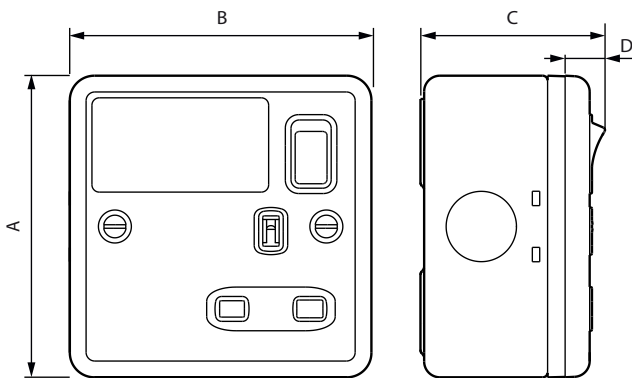
**1. USE**

Conventional earth pin release shutter. Maximum operating current 16 A. Electronic RCD module with a membrane switch for "test and reset". Delivered with flush mounting back box. Fixing with screws.

**2. RANGE**

RCD socket outlet - ELO - DP 30 mA - 1-Gang	7 338 80
RCD socket outlet - ELR - DP 30 mA - 1-Gang	7 338 81
RCD socket outlet - ELO - DP 30 mA - 2-Gang	7 338 82
RCD socket outlet - ELR - DP 30 mA - 2-Gang	7 338 83

**3. OVERALL DIMENSIONS (mm)**



Cat. Nos	A	B	C	D
7 338 80/81	86	86	52	11
7 338 82/83	86	146	52	11

**4. CONNECTION**

Type of terminals: with screws  
 Terminal capacity: 3 x 2.5 mm<sup>2</sup> - 2 x 4 mm<sup>2</sup> - 2 x 6 mm<sup>2</sup>  
 Stripping length: 12 mm  
 Compatible with flexible or rigid cables

**5. TECHNICAL CHARACTERISTICS**

■ **5.1 Mechanical characteristics**

Impact tests: IK 08  
 Penetration by solid bodies/liquids: IP 20

■ **5.2 Material characteristics**

Rocker : PC - Color : White  
 Front cover: PC - Color: White  
 Front plate and surface mounting back box: Grey epoxy coated steel  
 Mechanism housing: PP - Color: Grey  
 Halogen free  
 UV resistant

Self-extinguishing:

+ 850° C / 30 s for insulating parts holding live parts in place.  
 + 650° C / 30 s for other parts made of insulating materials.

■ **5.3 Electrical characteristics**

Voltage: 250 V~  
 Current: 13 A  
 Frequency: 50/60 Hz

■ **5.4 Climatic characteristics**

Storage temperature: - 10° C to + 70° C  
 Use temperature: - 5° C to + 35° C

**6. CLEANING**

Clean the surface with a cloth or soapy water.  
 Do not use acetone, tar-removing cleaning agents or trichloroethylene.

**Caution:** An initial test is required for the use of other special maintenance products.

**7. STANDARDS AND APPROVALS**

Compliance with standards of installation and manufacturing.  
 See e.catalogue.