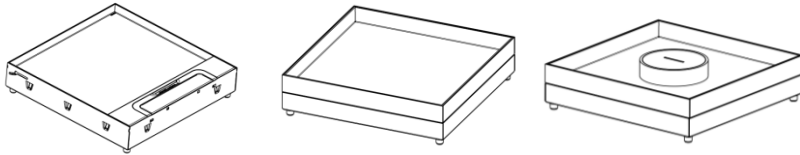


IP30 and IP44 tile floor boxes

Cat No(s) : 0 880 56-0 896 04-0 896 87-6 896 22/23-6 896 57/58-6 896 62



| CONTENTS | PAGE |
|------------------------------|------|
| 1. Range | 1 |
| 2. Installation | 2-4 |
| 3. Technical characteristics | 6-7 |
| 4. Material characteristics | 7 |

1. RANGE

Tile floor boxes let you:

- Provide power and data supply to your workstations via the floor
- Have an ideal solution for a concrete floor
- Install tiling of different thicknesses and other floor coverings
- Fit mounting supports for Mosaic wiring devices.

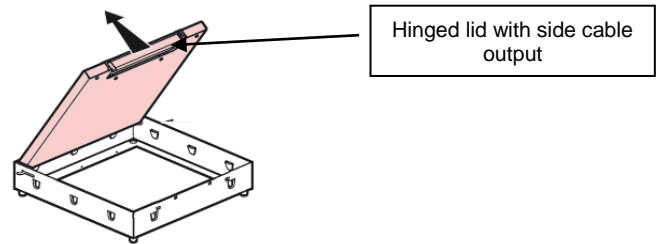
The range covers 3 products:

- IP 30 version with hinged lid equipped with a side cable output
- IP 44 version with removable lid
- IP 44 version with removable lid equipped with a central cable output

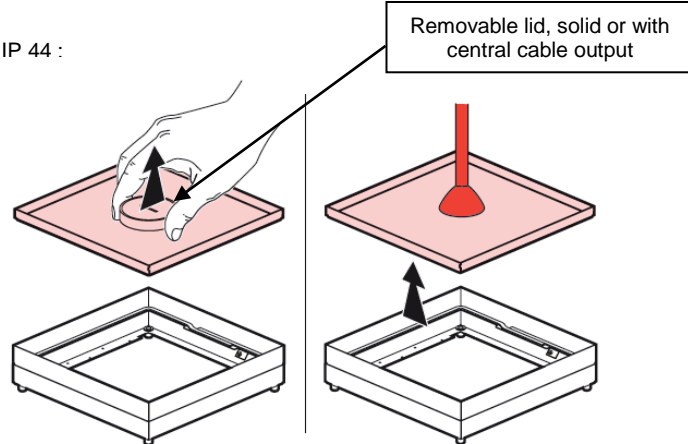
| References | Description | Packaging |
|------------|---|-----------|
| 0 896 04 | Flush-mounting box | 1 |
| 0 880 56 | IP 30 tile floor box Side cable output (tiling 8 to 15 mm thick) | 1 |
| 6 896 22 | IP 44 tile floor box (tiling 18 to 24 mm thick) | 1 |
| 6 896 23 | IP 44 tile floor box with central output (tiling 18 to 24 mm thick) | 1 |
| 6 896 58 | Mounting support for 8 horizontal modules | 1 |
| 6 896 62 | Solid support (blanking plate) | 1 |
| 6 896 57 | Mounting support for 8 vertical modules | 1 |

1. RANGE (cont.)

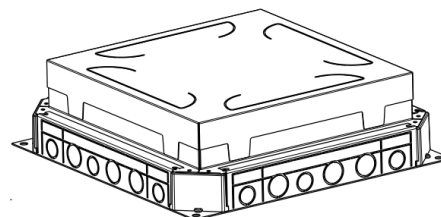
IP 30 :



IP 44 :



Flush-mounting box :

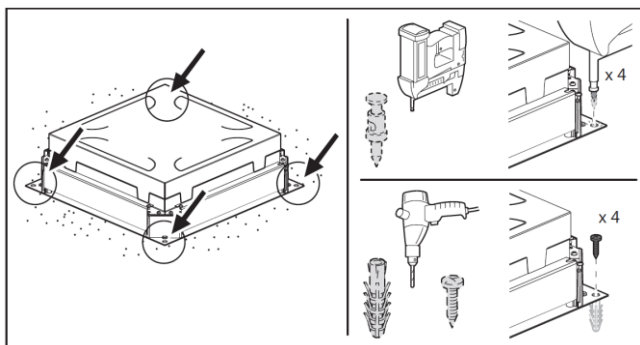


2. INSTALLATION : One installation method

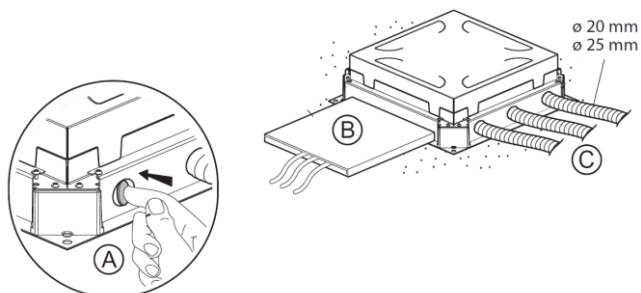
In concrete only, using flush-mounting box, Cat. No. 0 896 04. Allow for a height from 65 to 90 mm.

2.1 Installation of flush-mounting box, Cat. No. 0 896 04

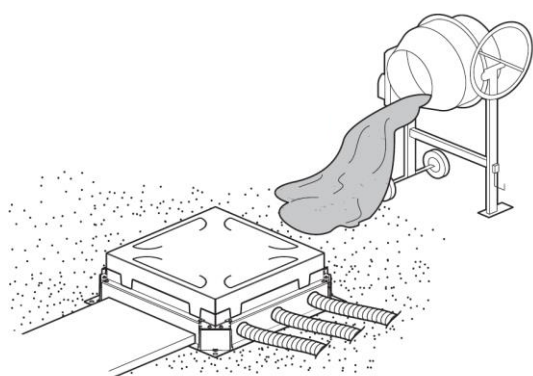
1) Secure the flush-mounting box to the slab at all four corners, by anchoring or dowelling



2) Install ducts before pouring the slab

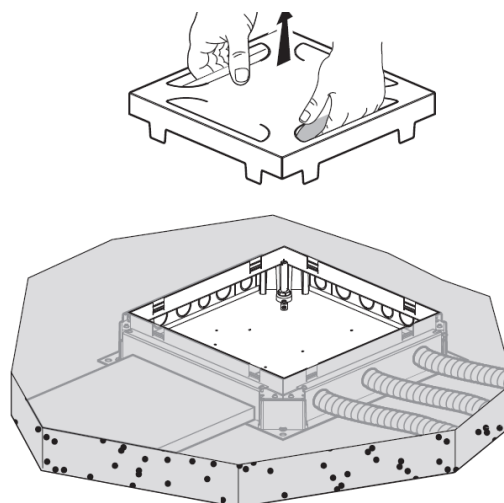
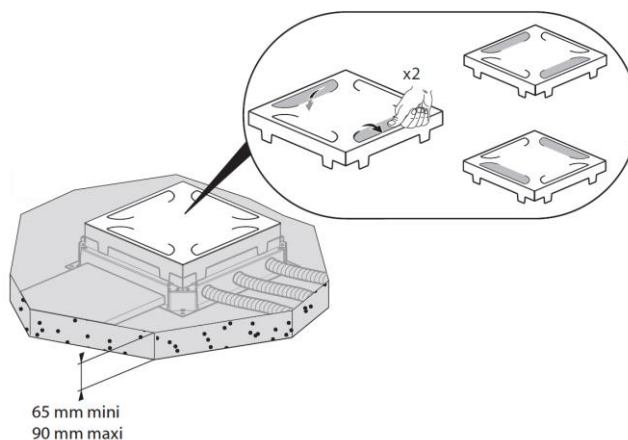


3) Pour the concrete slab



2. INSTALLATION (cont.)

4) When the concrete slab is dry, remove the mask from the top of the flush-mounting box before fitting the floor box



2. INSTALLATION (cont.)

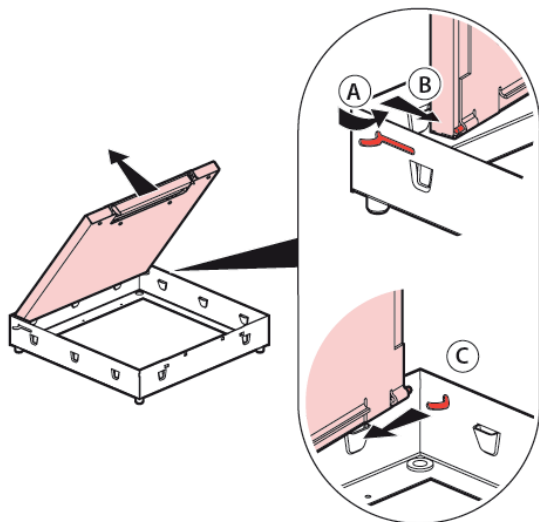
2.2 Installation of tile floor boxes

Cat. Nos. 0 880 56/6 896 22/6 896 23

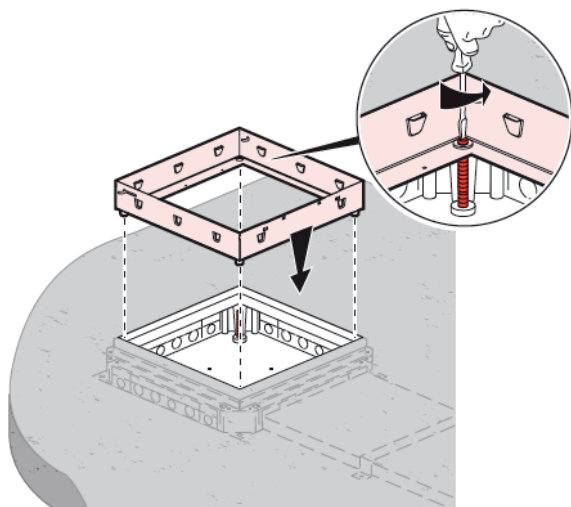
2.2.1 Installation of tile floor box IP30

Cat. No. 0 880 56 with hinged lid and side cable output

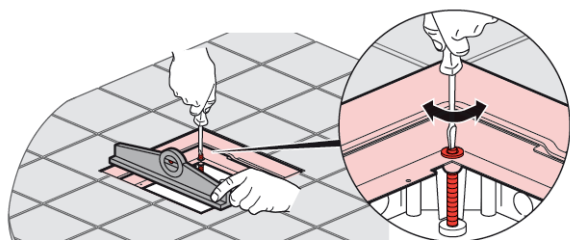
1) remove the cover of the floor box



2) Position the floor box frame on the flush-mounting box.



3) After laying the tiles, level the floor box frame with respect to the finished floor surface.

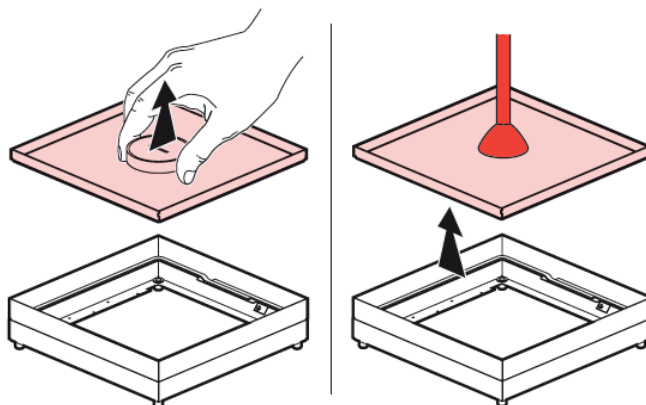


2. INSTALLATION (cont.)

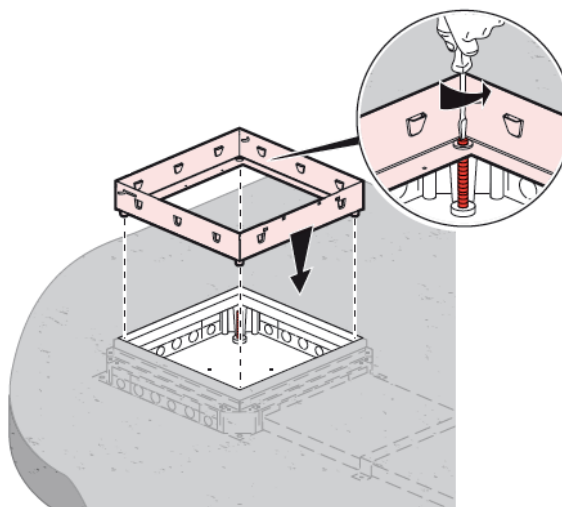
2.2.2 Installation of IP44 tile floor boxes

Cat. Nos. 6 896 22 & 6 896 23 with removable lid

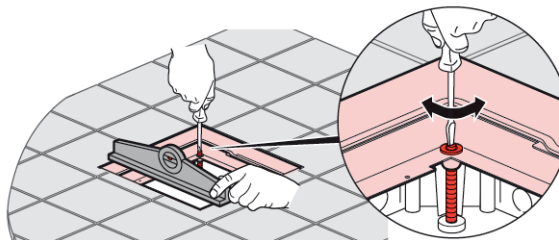
1) Remove the lid from the floor box.



2) Position the floor box frame on the flush-mounting box.



3) After laying the tiles, level the floor box frame with respect to the finished floor surface.

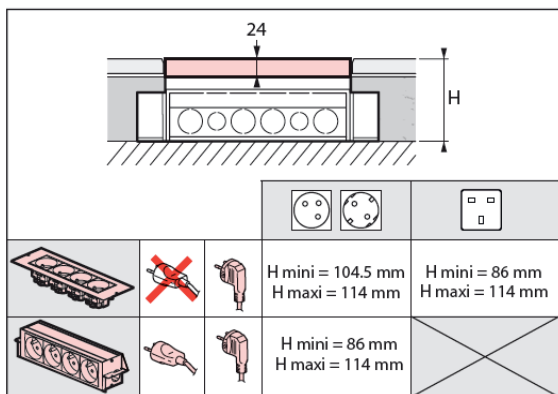
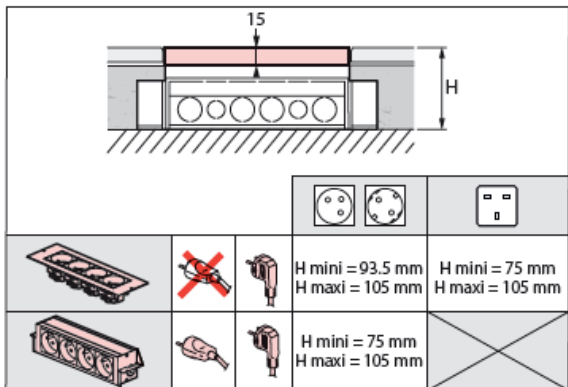


2. INSTALLATION (continuation)

2.3 Installation of wiring devices

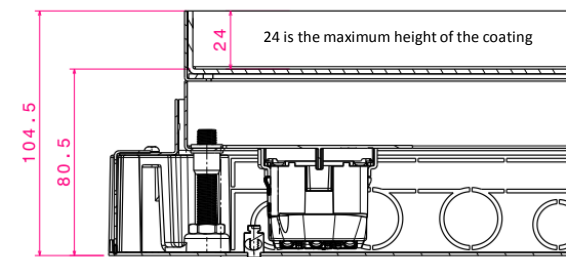
2.3.1 Types of installation:

- Fixed horizontal
- Fixed vertical



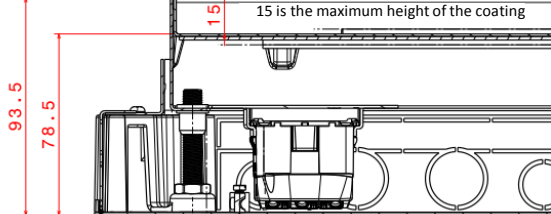
Box cross-section with height specification for horizontal support installation

IP30



Min. concrete height 80.5 if coating (tiling + adhesive) = 24 mm
If coating < 24 mm, concrete height = 80.5 + 24 - coating

IP44



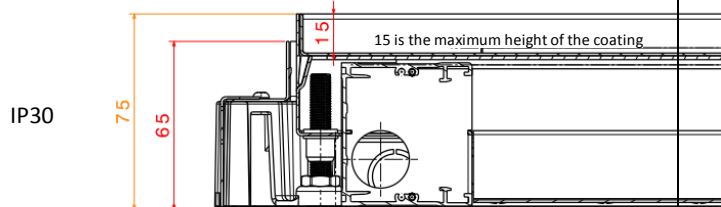
Min. concrete height 78.5 if coating (tiling + adhesive) = 15 mm
If coating < 15 mm, concrete height = 78.5 + 15 - coating

2. INSTALLATION (continuation)

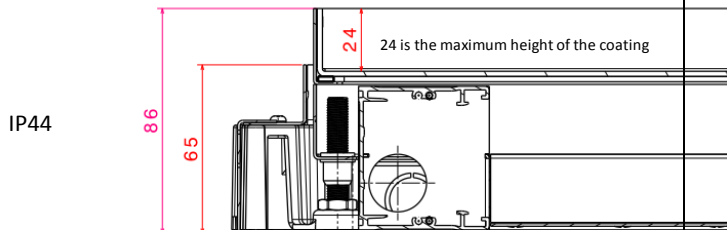
2.3 Installation of wiring devices

2.3.1 Way of fitting

Box cross-section with height specification for vertical support installation



Min. concrete height 65 if coating (tiling + adhesive) > 10 mm
If coating < 10 mm, concrete height = 65 + 10 - coating



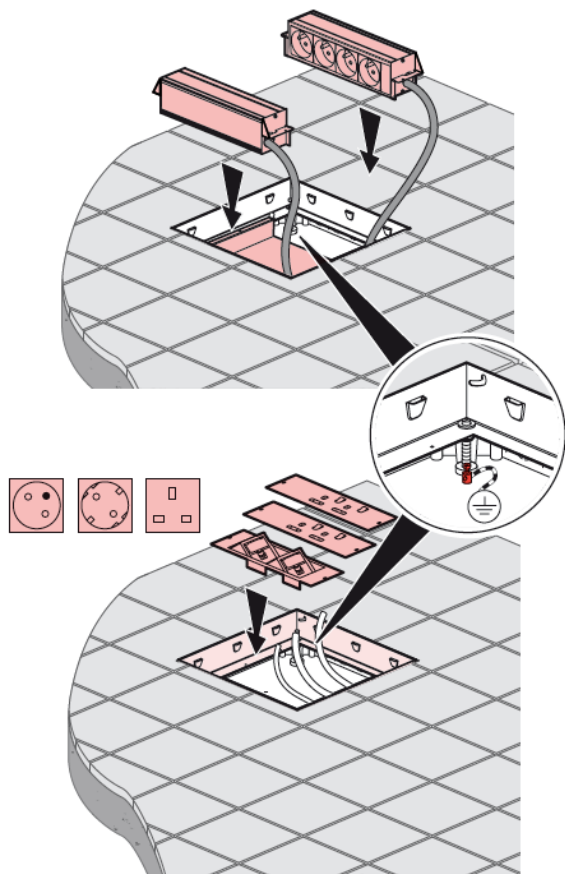
Min. concrete height 65 if coating (tiling + adhesive) > 21 mm
If coating < 21 mm, concrete height = 65 + 21 - coating

2. INSTALLATION (cont.)

2.3 Installation of wiring devices

2.3.2 Size 45 mm sockets:

- vertical = 2 x 8 modules
- horizontal = 3 x 8 modules



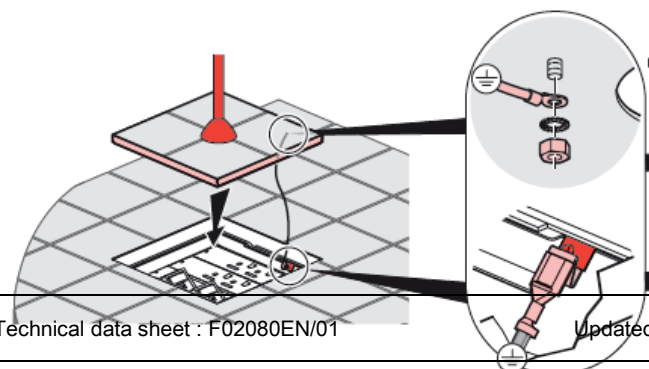
2.3.3 Cable outputs

Tile floor box, Cat. No. 0 880 56

- Equipped with a side cable output for closing the box when sockets are in use.

Tile floor box, Cat. No. 6 896 22

- Not equipped with a cable output. Requires removal of the lid during use.



2. INSTALLATION (cont.)

2.3 Installation of wiring devices

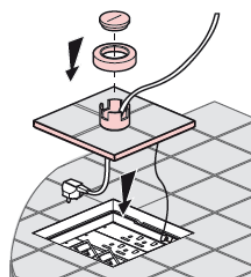
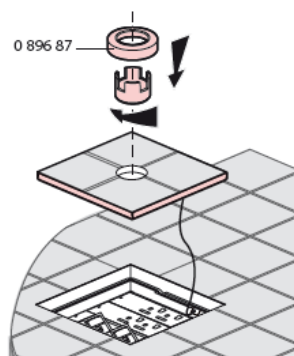
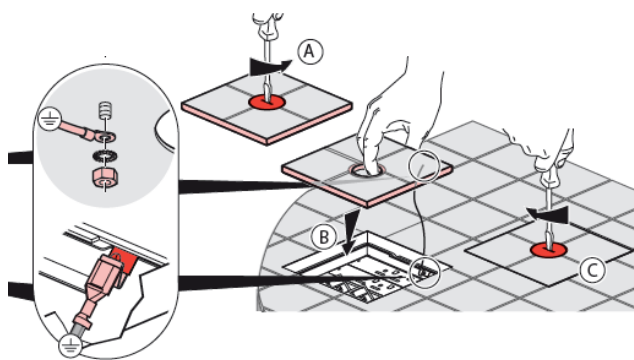
2.3.3 Cable outputs

Tile floor box, Cat. No. 6 896 23

- Equipped with a central threaded cable output for closing the box when sockets are in use.

Caution: In this scenario, there is no IPXX waterproofing.

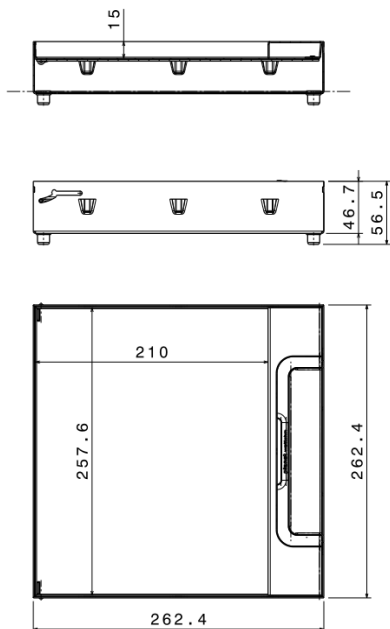
For waterproofing with socket in use, use accessory Cat. No. 0 89 687



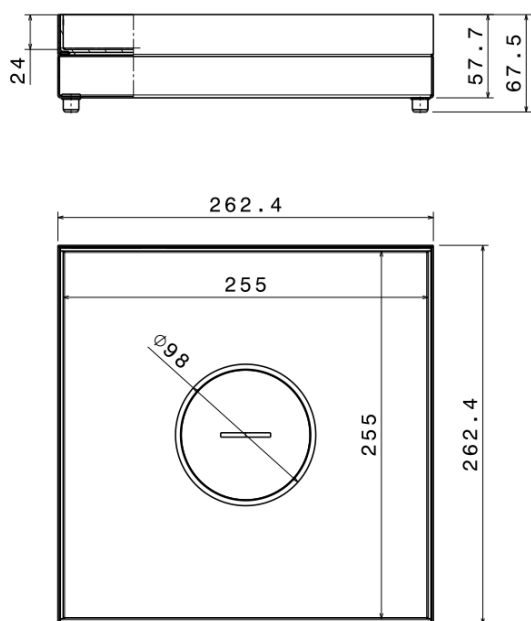
3. TECHNICAL CHARACTERISTICS

3.1 Overall dimensions

3.1.1 IP 30 tile floor box, Cat. No.0 880 56



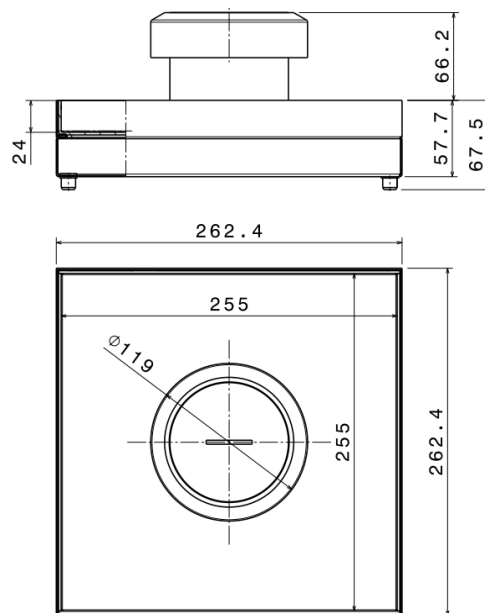
3.1.2 IP 44 tile floor box with central cable exit cat nr 6 896 23 or plain cover cat. Nr 6 896 22



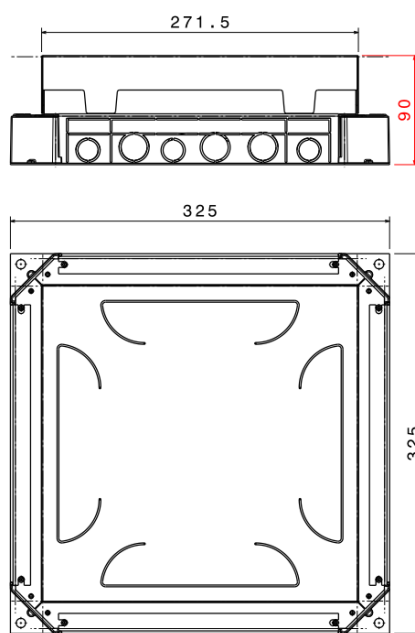
3. TECHNICAL CHARACTERISTICS (cont.)

3.1 Overall dimensions

3.1.3 IP 44 tile floor box with cable output accessory, Cat. No.0 89 687 to be added (non supplied with Cat. No. 6 896 23)



3.1.4 Flush-mounting box, Cat. No. 0 89 604



3. TECHNICAL CHARACTERISTICS (cont.)

Classification of floor boxes and enclosures for electrical wiring devices in accordance with the IEC 60670-1 and IEC 60670-23 standards.

| | |
|---|---|
| 7.1 Nature of material | Metal |
| 7.2 Mounting mode | Flush mounted, semi-flush mounted in non-flammable floors |
| | Appropriate location for installation in concrete during the pouring phase |
| | Floor boxes and enclosures installed in floors subject to dry treatment (Cat. No. 28410) |
| | Floor boxes and enclosures installed in floors subject to wet treatment (Cat. No. 28411/12) |
| 7.3 Types of inlet | No inlets. The inlet openings will be created during installation |
| 7.4 Mounting modes | Without mountings |
| 7.5 Minimum and maximum temperatures during installation | -5°C to +60°C |
| 7.6 Maximum temperature during the concrete pouring phase | +60°C |
| 7.8 Arrangements to secure devices to boxes | Boxes intended to be fitted with screws |
| 7.101 Type of lid | Enclosure with detachable lid |
| 15.101 Ability to withstand a vertical load applied via a small surface | 500 N |

Safety: check that the system is earthed

Earthing arrangement: resistance less than 0.05 Ω

Impact resistance: IK 08

Resistance to vertical load according to the standard EN 50085-2-2 (flexion < 6mm) :

- **5000N** to load applied through large surface area (diameter 130mm)
- **2000N** to load applied through small surface area (diameter 11mm)

Cleaning: do not use abrasive products or detergents.

Tile floor box, Cat. No. 0 880 56:

Degrees of protection provided by the floor box with lid closed: IP30.

The visible parts of the floor box must be cleaned using a damp cloth only:



Tile floor box, Cat. No. 6 896 22 and 6 896 23:

Degrees of protection provided by the floor box with lid closed: IP44.

4. MATERIAL CHARACTERISTICS

The metal floor box is made of:

- Galvanised steel (DX51D Z275 MAC)
- 304L stainless steel

The metal flush-mounting box is made of:

- Galvanised steel (DX51D Z275 MAC)
- Zamak