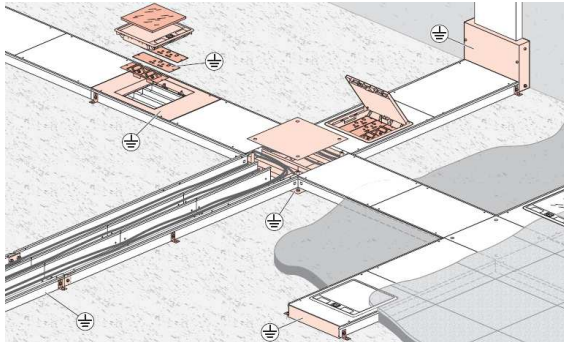


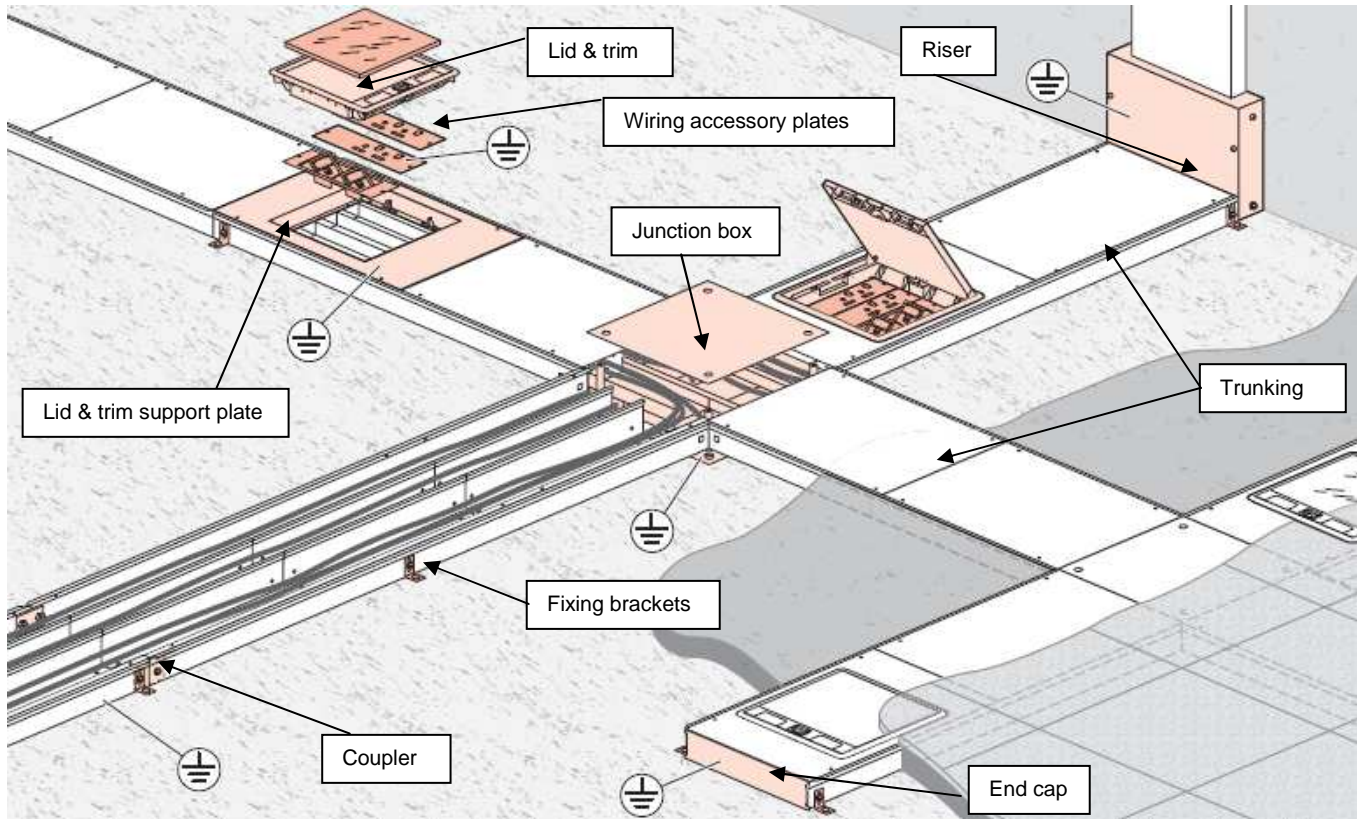
Flush Floor system

Number(s) :
6897 50/51/55/57/60/61/62/63/65/66/67/68/69,
6896 30/31/32/33/36/37/40/41/42/43/47/92/93



CONTENTS	PAGES
1. Range	1 to 3
2. Installation process	4 to 8
3. Products details	9 to 18
4. Technical characteristics	19 to 21

1 RANGE.



	Fixing brackets	Coupler	End cap	Leveling	Riser	Junction box	Lid & Trim support plate		Lid & Trim	Stainless steel Insert	
300 x 65 (mm)	6897 50		6897 65	6897 67	6897 62	6897 60 or 6897 69	3 compt	4 compt	Rigid cable exits	Soft cable exits	
Metal	6897 55	6897 57		6897 88		6896 36					6896 30
405 x 65 (mm)	6897 51		6897 66	6897 68	6897 63	6897 61	6896 37	6896 47	6896 40	6896 41	6896 93
Metal									6896 42	6896 43	

CONTENTS

1 RANGE pages 1 to 3
1- The Flush Floor system provides adaptable power, data, audio & video distribution in screed floors. 2- Flush Floor System. 3- Cable Capacity Guide. 4- Layout.
2 INSTALLATION PROCESS pages 4 to 8
1- Installation. 2- Junction box ref 6897 60/61/69 3- Lid & trim support plate ref 6896 36/37/47 4- Lid & trim ref 6896 30/31/32/33/40/41/42/43
3 PRODUCT DETAILS pages 9 to 18
1- Junction Boxes ref 6897 60/61/69 2- Lid & trim support plate ref 6896 36/37/47 3- Trunkings ref 6897 50/51 4- Riser ref 6897 62/63 5- Fixing brackets ref 6897 55 6- Coupler ref 6897 57 7- Levelling brackets ref 6897 67/68 8- End cap ref 6897 65/66 9- Wiring Accessory Plates 10- Lid & trim ref 6896 30/31/32/33/40/41/42/43 11- Stainless steel insert ref 6896 92/93
4 TECHNICAL CHARACTERISTICS page 19

1 RANGE.

1- The Flush Floor system provides adaptable power, data, audio & video distribution in screed floors.

The system to ensure a fast and simple installation.

Designed to support Cat 6 structured cabling systems.

Suitable for screed height between 65 to 90mm.

Lid & trim as IP20 rated in accordance with EN 50085-2-2 and EN 60670-23

Choice of 3 or 4 compartments lid & trim.

Self Closing lid in accordance with IEC 61534-22.

Lid & trim: plastic material ABS/PA 6.6 FV

Rigid & flexible exits: plastic material ABS/TPEE

Stainless steel insert: stainless steel material AISI 304

2- Flush Floor System.

Ambient Temperature Range:

Handling and storage -25°C minimum

During installation -5°C 60°C

Application -5°C 60°C

Metal trunking and Accessories:

Trunking and accessories: Material Pre-galvanised steel sheet (DX51D Z275 MAC)

Cleaning:

The exterior should only be cleaned using a damp cloth

Flush Floor system

Number(s) :

6897 50/51/55/57/60/61/62/63/65/66/67/68/69,

6896 30/31/32/33/36/37/40/41/42/43/47/92/93

1 RANGE.

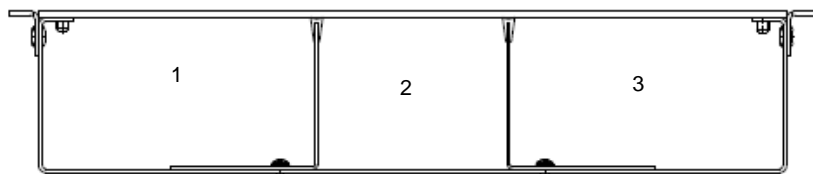
3- Cable Capacity Guide.

The number and location of boxes depends on the end users requirements.

If the furniture layout is available, a lid & trim should be considered for each workstation or desk.

If the final furniture layout is not available, the minimum recommended distribution is one lid & trim for every 10m², and the maximum being one lid & trim per 4m².

Compartment 1, and 3 have the same capacity



45% available cross section

for power cables			Number of PVC stranded							Twin & earth		
Metal trunking	Compt	Section 45% Fill mm ²	1,5 ² Ø3.3 mm	2,5 ² Ø4 mm	4 ² Ø4.6 mm	6 ² Ø5.2 mm	10 ² Ø6.7 mm	16 ² Ø7.8 mm	25 ² Ø9.7 mm	2,5 ² Ø10.5 mm	4 ² Ø11.2 mm	6 ² Ø13.7 mm
300x65	1	2992	348	237	180	141	85	63	40	35	30	20
300x65	2	2086	243	166	126	98	59	44	28	24	21	14
300x65	3	2992	348	237	180	141	85	63	40	35	30	20
405x65	1	3389	394	269	204	160	96	71	46	39	34	23
405x65	2	4200	488	333	253	198	119	88	57	49	42	28
405x65	3	3389	394	269	204	160	96	71	46	39	34	23

for data cables			Number of Data cables			
Metal trunking	Compartment	Section 45% Fill mm ²	cat 5E UTP Ø5.5mm	cat 5E STP Ø6mm	cat 6 UTP Ø6.5mm	cat 6 STP Ø7mm
300x65	1	2992	99	83	71	61
300x65	2	2086	69	58	49	43
300x65	3	2992	99	83	71	61
405x65	1	3389	112	94	80	69
405x65	2	4200	139	117	100	86
405x65	3	3389	112	94	80	69

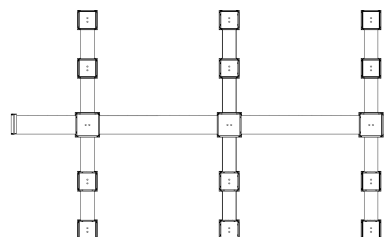
Flush floor system ducting complies with EN50085-1: 2005 and draft EN50085 Part 2-2.

The above table gives the available capacity units on 45% factor, applied to the internal wiring area.

4- Layout.

In order for the installation to perform desired flexibility, the ducting is usually laid out on either a Grid, Fishbone or a Comb Pattern of single, double or triple runs.

The **Fishbone Pattern** is ideal for a medium sized area where fewer boxes are required.



Standards: Flush System range complies with the relevant requirements of the latest edition and to EN 50085 Part 1 and EN 50085 Part 2-2. Additionally the lid & trim also comply with EN 60670-23 Parts 1 and 23.

Flush Floor system

Number(s) :

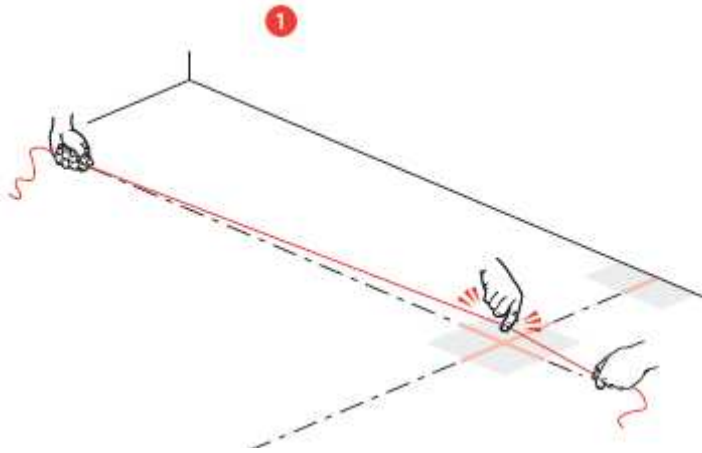
6897 50/51/55/57/60/61/62/63/65/66/67/68/69,

6896 30/31/32/33/36/37/40/41/42/43/47/92/93

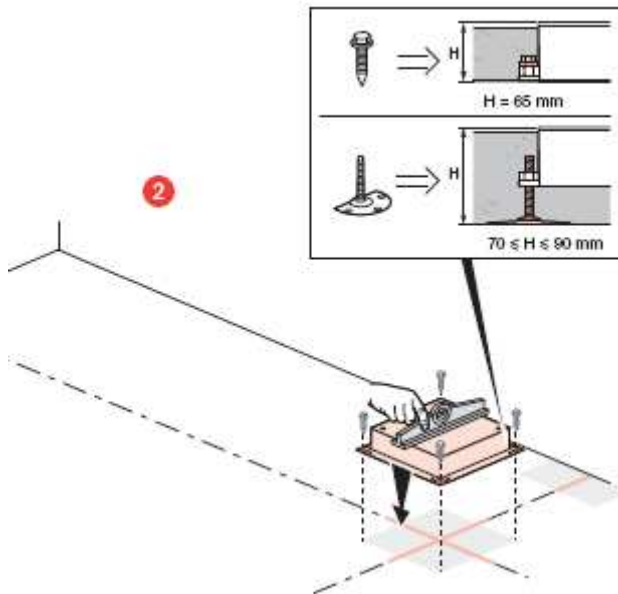
2 INSTALLATION PROCESS

1- Installation

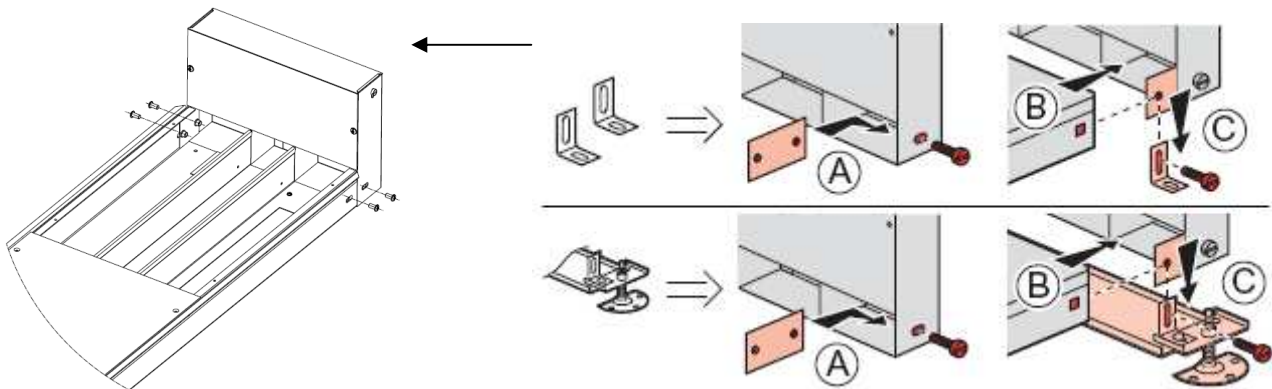
A- Mark the pathway for trunking and junction boxes



B- Fix risers and junction boxes on to the slab. Use leveling kit if screed level is between 70 and 90mm.



C- Fix trunking and all accessories with fixing brackets onto the slab



Flush Floor system

Number(s) :

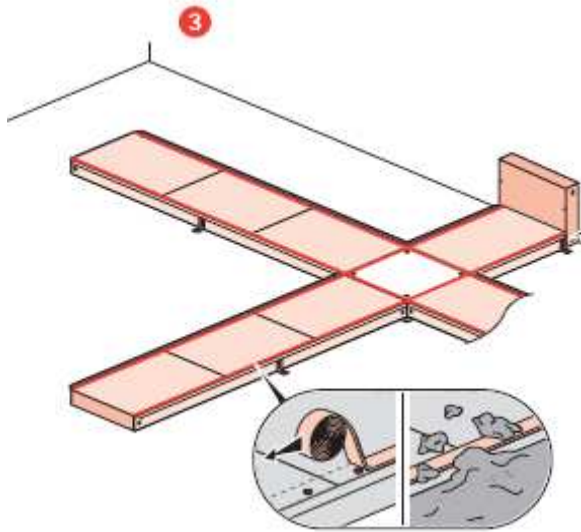
6897 50/51/55/57/60/61/62/63/65/66/67/68/69,

6896 30/31/32/33/36/37/40/41/42/43/47/92/93

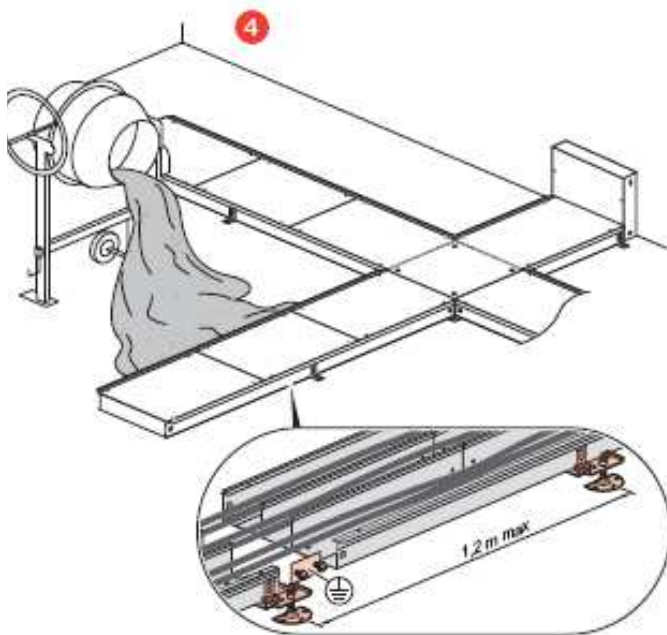
2 INSTALLATION PROCESS (continued)

1- Installation

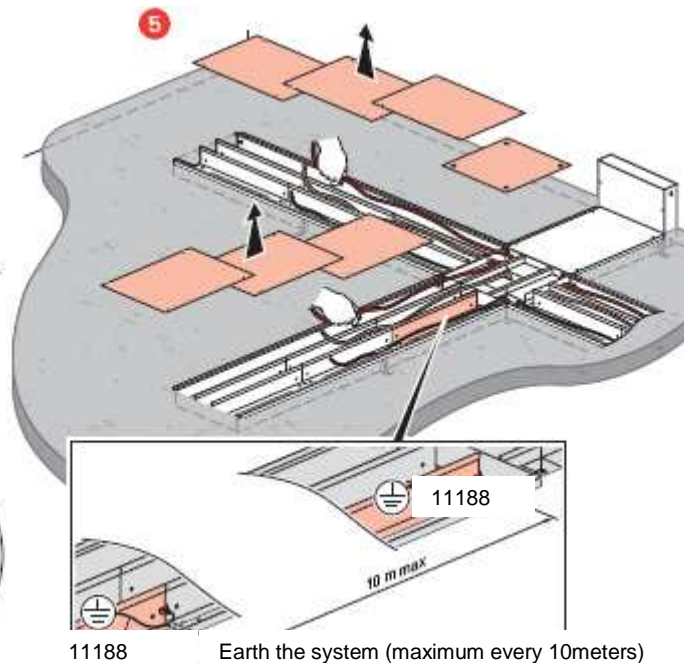
D- tape over the outside edges of the entire length of trunking to protect the screws from concrete



E- Execute screeding



F- Once the screed is dry, remove the covers and cable the trunking



If levelling is required, use levelling kit and do not exceed 1.2m between levelling brackets.

Flush Floor system

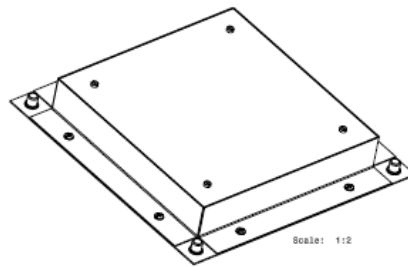
Number(s) :

6897 50/51/55/57/60/61/62/63/65/66/67/68/69,

6896 30/31/32/33/36/37/40/41/42/43/47/92/93

2 INSTALLATION PROCESS (continued)

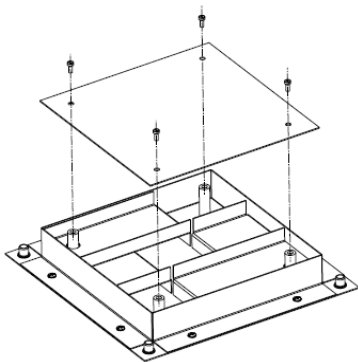
2- Junction box ref 6897 60/61/69



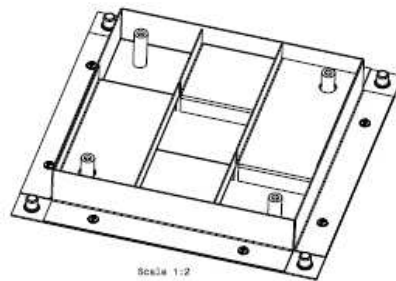
The junction box should be positioned directly on the slab and provides access to cables at the intersection of trunkings. The junction box allows deviation of power and data cable, adjustable height from 65 to 90mm with 4 leveling brackets ref 6897 88 (details on page 4)

Junction Boxes are supplied complete with base + lid + fly overs.

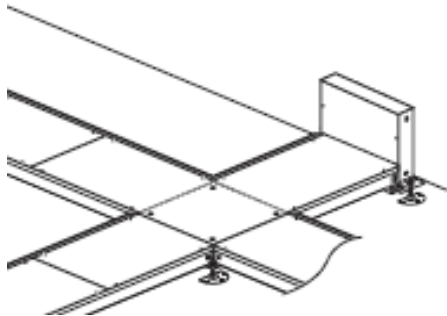
1- Fixe the junction box on the slab and unscrew the lid



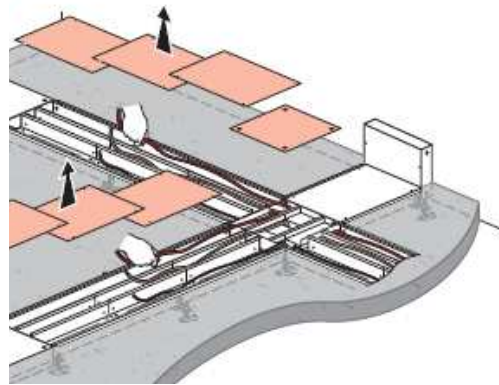
2- Pull the flyovers out of the junction



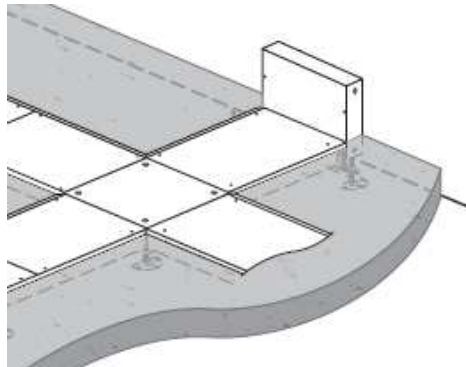
3- connect the trunking with screws



4- Once the screed is dry, remove the covers and cable the trunking



4- Refix the lid of the junction box and the cover of the trunking when cabling is complete.



Flush Floor system



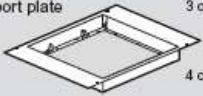
Number(s) :

6897 50/51/55/57/60/61/62/63/65/66/67/68/69,

6896 30/31/32/33/36/37/40/41/42/43/47/92/93

2 INSTALLATION PROCESS (continued)

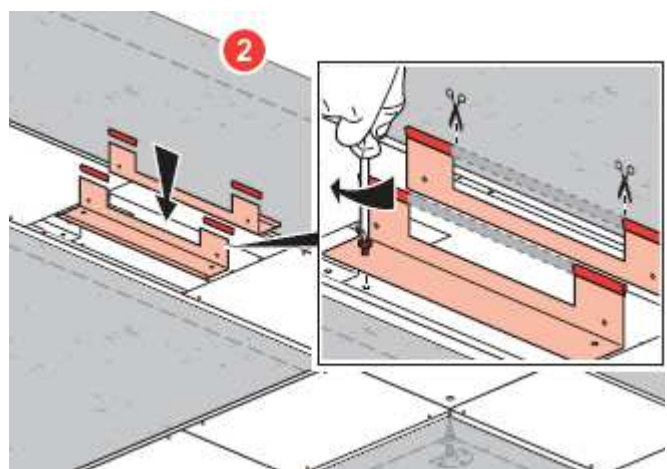
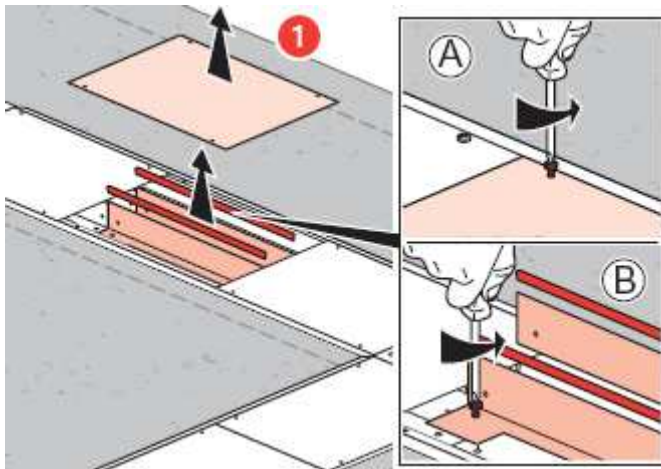
3- Lid & trim support plate ref 6896 36/37/47

		300 x 65 (mm)	405 x 65 (mm)
			
		6897 50	6897 51
Lid & Trim support plate 	3 compt	6896 36	6896 37
	4 compt	-	6896 47

Before installation of wiring devices plates and lid & trim

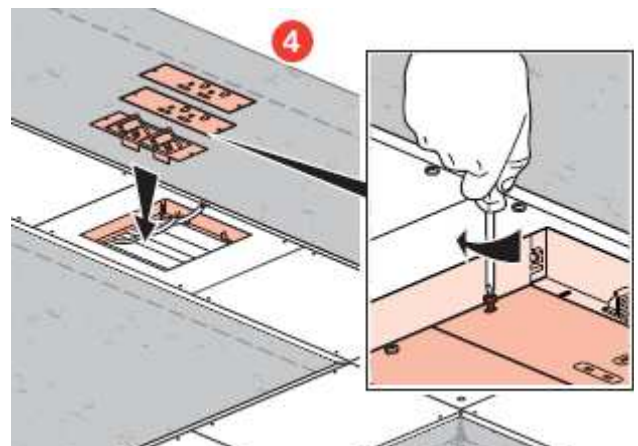
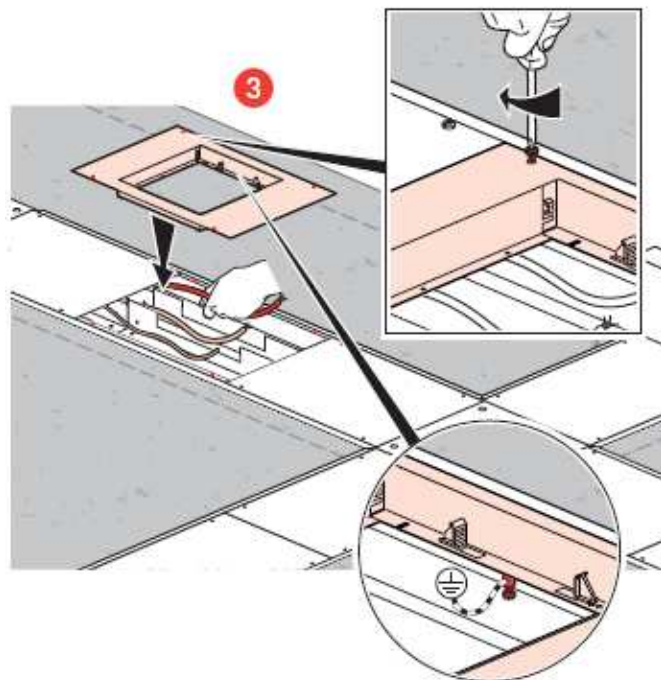
1- To fit the floor box, remove cover and the rubber gasket

2- Remove the dividers, fix them up-side-down and reposition rubber gasket



3- Fix floor box support plate, and earth it

4 - Connect wiring and fix the wiring accessory plates



Flush Floor system



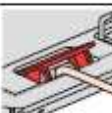

Number(s) :

6897 50/51/55/57/60/61/62/63/65/66/67/68/69,

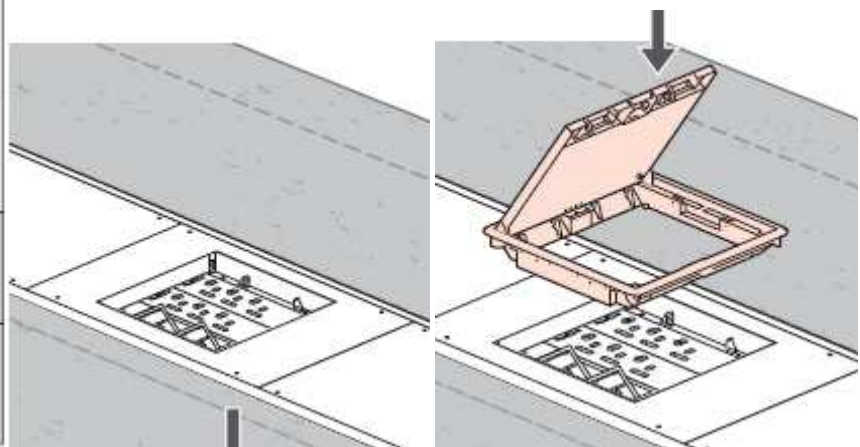
6896 30/31/32/33/36/37/40/41/42/43/47/92/93

2 INSTALLATION PROCESS (continued)

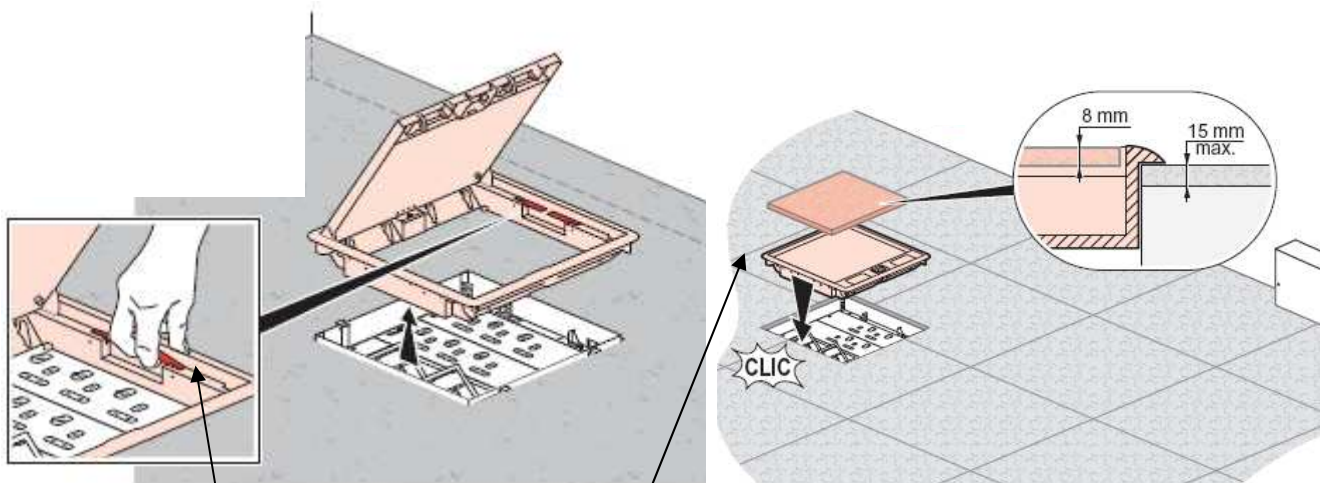
4- Lid & trim ref 6896 30/31/32/33/40/41/42/43

	Lid & Trim		Stainless steel insert
			
			
	Rigid cable exits	Soft cable exits	
3 compt	gray 6896 30	6896 31	6896 92
	beige 6896 32	6896 33	
4 compt	gray 6896 40	6896 41	6896 93
	beige 6896 42	6896 43	

After installing wiring accessory plates, push down the lid & trim onto the support plate (push & fit the system)

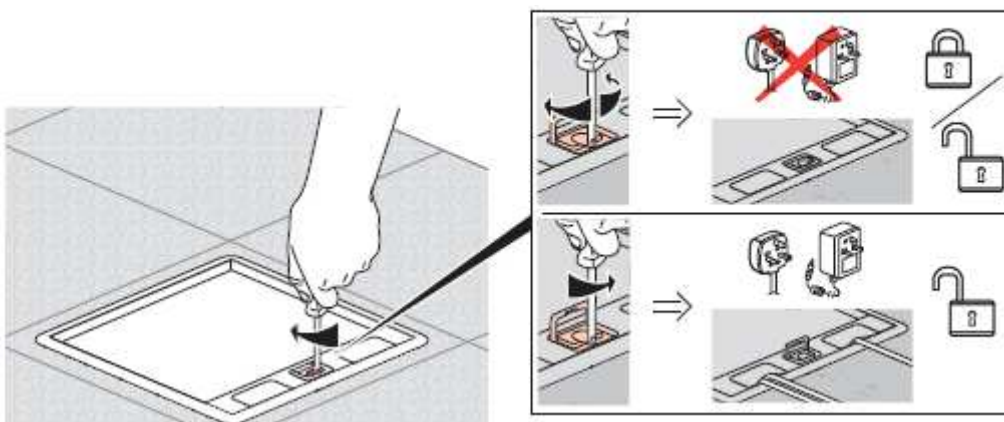


Finally, to install the finish flooring:



1 – To fit carpet, pull the levers upwards on both sides to take out the lid and trim.

2 – Fit the carpet and push down the lid and trim on the support plate (push and fit principle)



Locking system:

The floor box can be locked by means of a locking system (hidden under the opening handle); For safety reasons, floor box should not be locked when in use.

Flush Floor system

Number(s) :

6897 50/51/55/57/60/61/62/63/65/66/67/68/69,

6896 30/31/32/33/36/37/40/41/42/43/47/92/93

3 PRODUCT DETAILS

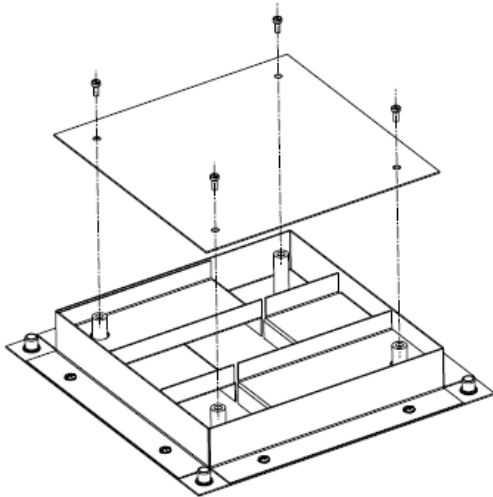
1- Junction Boxes ref 6897 60/61/69

The junction box is used for simple junction or connection point.

The junction box should be positioned directly on the slab and provides access to cables at the intersection of trunkings or changes of direction.

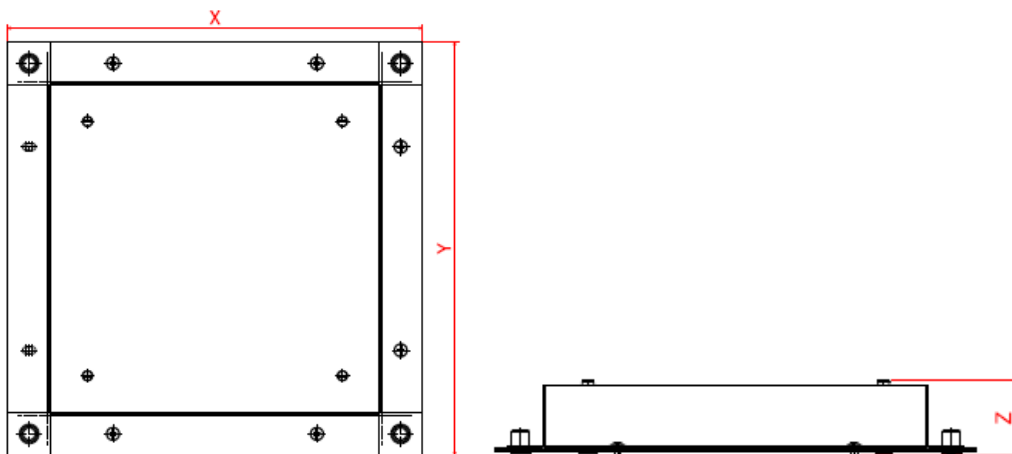
The junction box allows deviation of power and data cable, adjustable height with 4 leveling brackets ref 6897 88 (details on page 4)

Junction Boxes are supplied as a base with a lid and flyovers



Reference	To use with junction of
6897 60	2 trunkings 300x65mm
6897 61	2 trunkings 405x65mm
6897 69	1 trunking 300x65mm and 1 trunking 405x65mm

Dimensions (mm):



Reference	X	Y	Z
6897 60	360	360	66.6
6897 61	465	465	66.6
6897 69	360	465	66.6

Flush Floor system

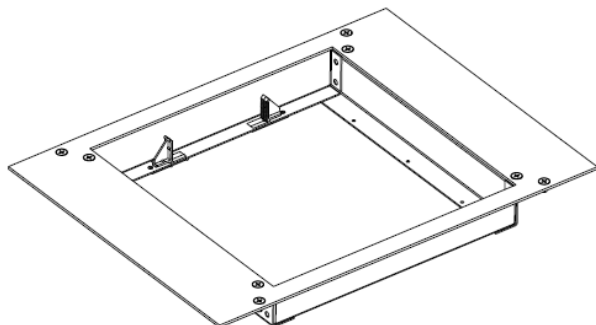
Number(s) :

6897 50/51/55/57/60/61/62/63/65/66/67/68/69,

6896 30/31/32/33/36/37/40/41/42/43/47/92/93

3 PRODUCT DETAILS (continued)

2- Lid & trim support plate ref 6896 36/37/47



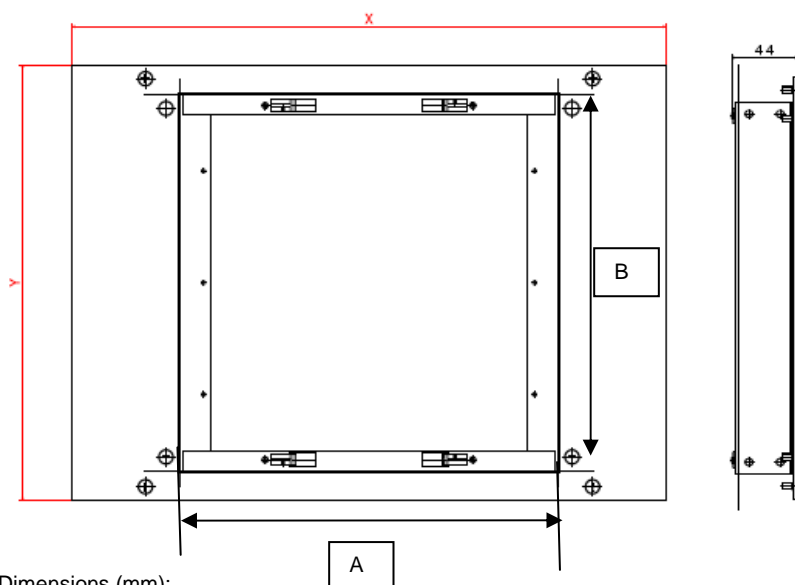
		3 compt	4 compt
300 x 65 (mm)	6897 50	6896 36	-
Metal			
405 x 65 (mm)	6897 51	6896 37	6896 47
Metal			

- Allows the installation of wiring accessory plates and lid & trim

- Fix to trunking by means of screws

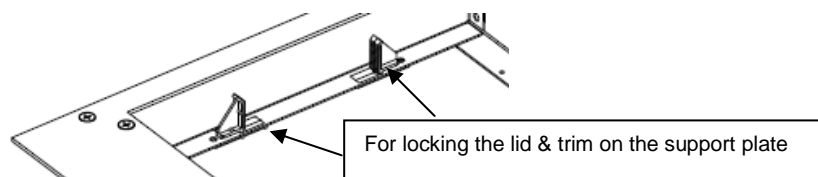
Note: dimensions of the position of the support plate in the backbox can be found on the page 19 (technical characteristics)

Reference	To use with trunking
6896 36	300x65mm
6896 37	405x65mm
6896 47	405x65mm



Dimensions (mm):

Reference	X	Y	A	B
6896 36	406.5	300	264	264
6896 37	406.5	405	264	264
6896 47	406.5	405	264	343



Flush Floor system



Number(s) :

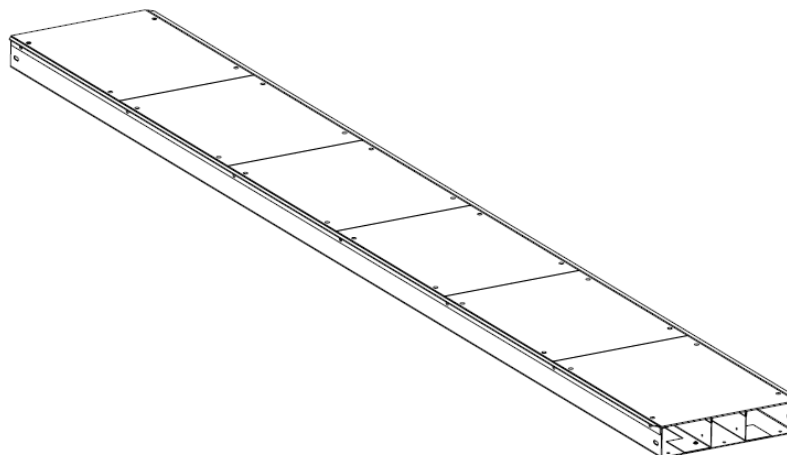
6897 50/51/55/57/60/61/62/63/65/66/67/68/69,

6896 30/31/32/33/36/37/40/41/42/43/47/92/93

3 PRODUCT DETAILS (continued)

3- Trunkings ref 6897 50/51

		Fixing brackets	Coupler
			
300 x 65 (mm)	6897 50		
Metal		6897 55	6897 57
405 x 65 (mm)	6897 51		
Metal			

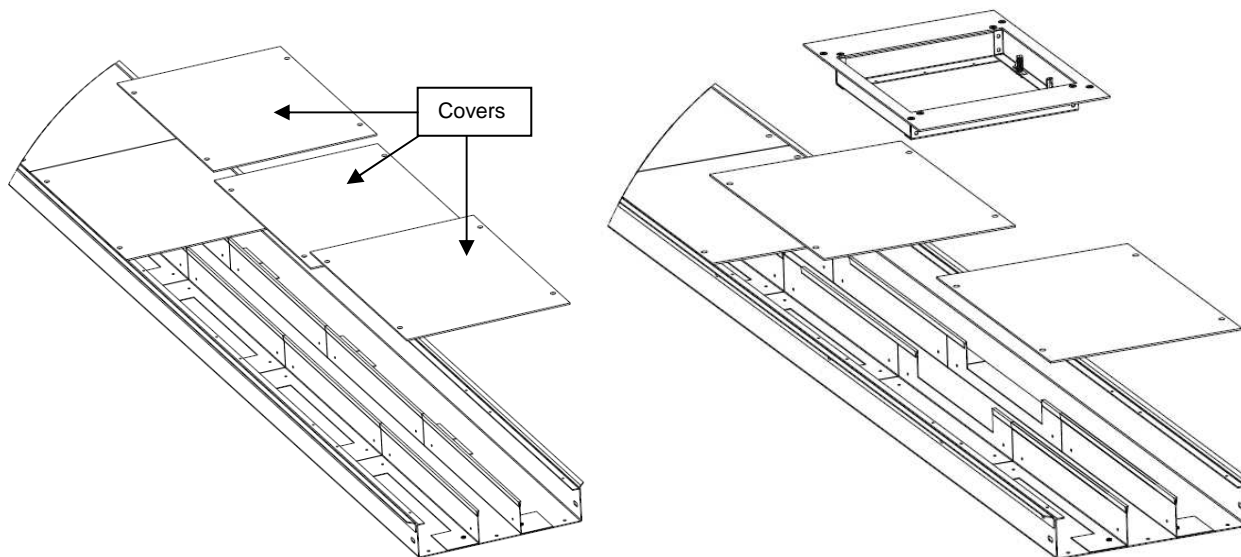


Provides EMC Screening
 Manufactured from pre-galvanised sheet steel
 Delivered in standard length 2.44m
 Number of compartments: 3 compartments
 Standard thickness: 1.5mm for body/2.5mm for covers/1mm for dividers
 Standard depth: 65mm

Metal trunking allows:

- distributing power data in a concrete floor.

The trunking has 6 removable covers 406.5mm long



Flush Floor system

Number(s) :

6897 50/51/55/57/60/61/62/63/65/66/67/68/69,

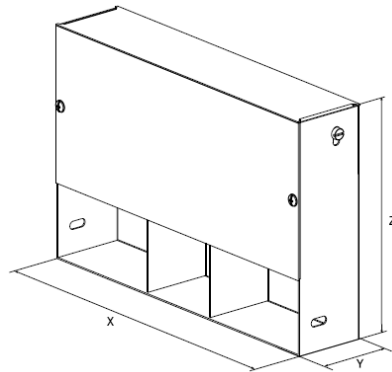
6896 30/31/32/33/36/37/40/41/42/43/47/92/93

3 PRODUCT DETAILS (continued)

4- Riser ref 6897 62/63

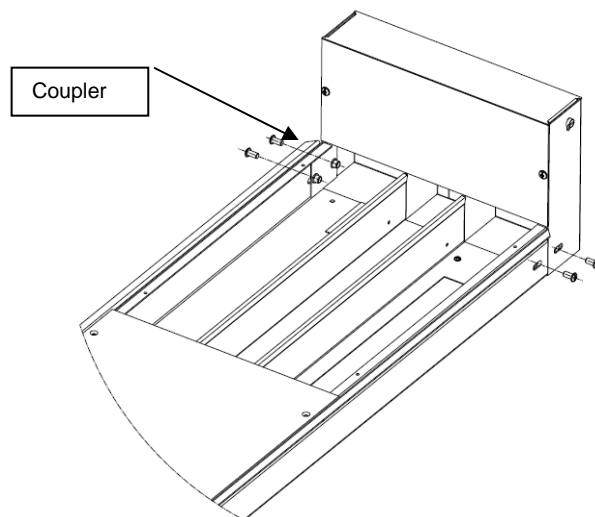
The riser allows the change of direction (vertical to horizontal)
Conduit or trunking can be run vertically or horizontally from the riser

Reference	Use for trunking
6897 62	300x65mm metal
6897 63	405x65mm metal



Dimensions (mm):

Reference	X	Y	Z
6897 62	300	65	201
6897 63	405	65	201



Installation of riser:

- 1- Fix the riser against the wall
- 2- Connect the trunking to the riser with the coupler

Flush Floor system

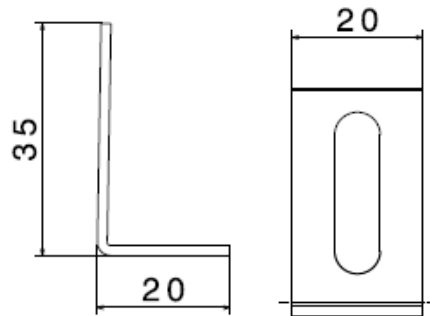
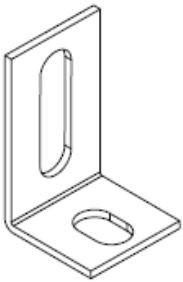
Number(s) :

6897 50/51/55/57/60/61/62/63/65/66/67/68/69,

6896 30/31/32/33/36/37/40/41/42/43/47/92/93

3 PRODUCT DETAILS (continued)

5- Fixing brackets ref 6897 55



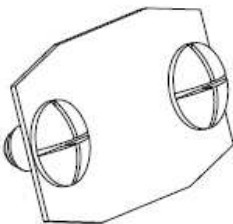
Dimensions

To fix trunking on the slab.

Reference	Use for trunking
6897 55	300/405x65mm metal

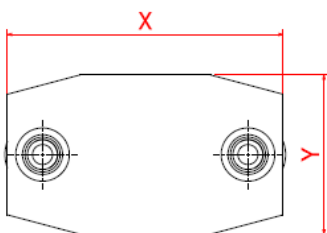
Thickness: 1.5mm

6- Coupler ref 6897 57



- Used to connect two trunking lengths

Reference	Use for trunking
6897 57	300/405x65mm metal



Dimensions (mm):

Reference	X	Y
6897 57	58	55

Thickness: 1mm

Comes with 2 screws M6x10

Flush Floor system

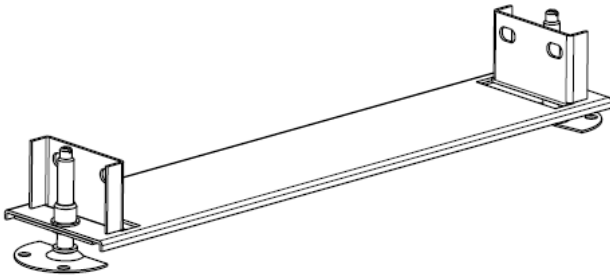
Number(s) :

6897 50/51/55/57/60/61/62/63/65/66/67/68/69,

6896 30/31/32/33/36/37/40/41/42/43/47/92/93

3 PRODUCT DETAILS (continued)

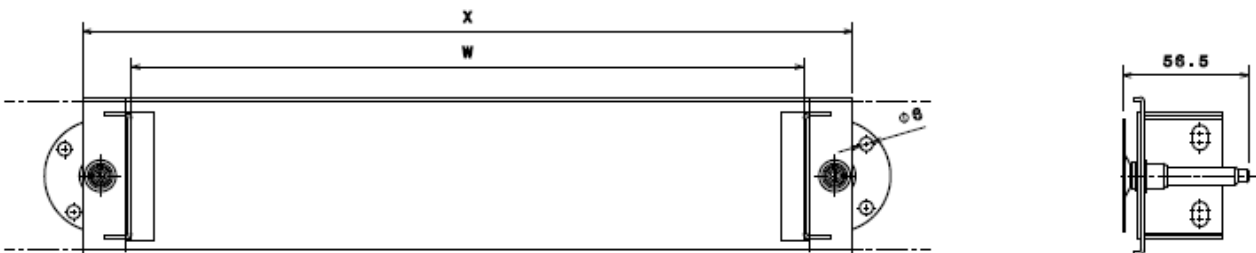
7- Leveling brackets ref 6897 67/68



- To raise trunking level from 70 up to 90mm
- To connect two trunking lengths

Reference	Use for trunking
6897 67	300x65mm metal
6897 68	405x65mm metal
6897 88	Foot levelling

Dimensions (mm):

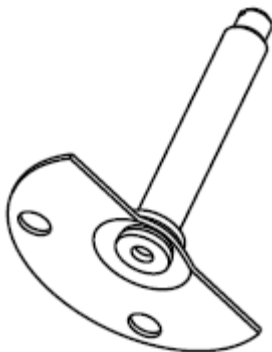


Reference	X	W
6897 67	360	300
6897 68	466	406

Thickness: 1.5mm

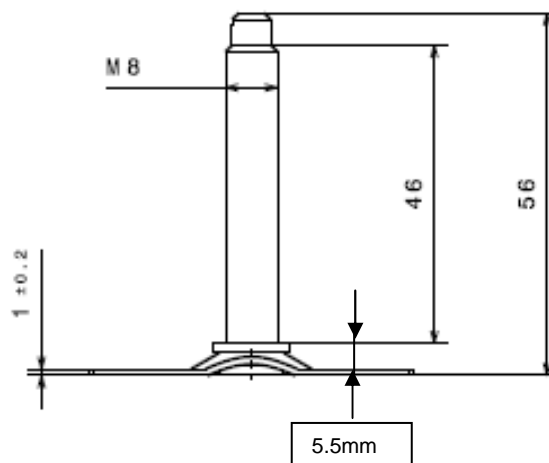
Leveling brackets ref 6897 88:

To raise junction box level from 70 up to 90mm



Delivered in set of 4

Dimensions (mm)



Flush Floor system

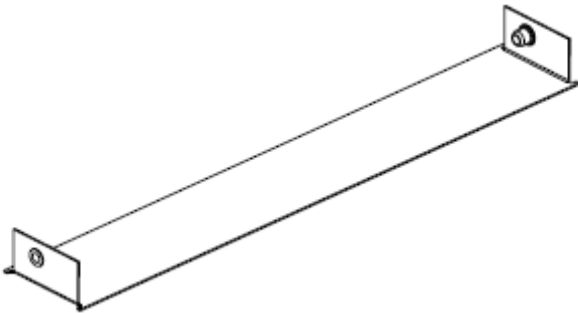
Number(s) :

6897 50/51/55/57/60/61/62/63/65/66/67/68/69,

6896 30/31/32/33/36/37/40/41/42/43/47/92/93

3 PRODUCT DETAILS (continued)

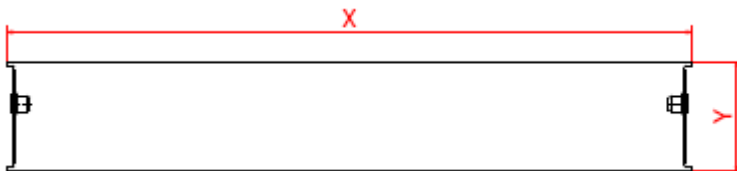
8- End cap ref 6897 65/66



- Used to close the end of the trunking
- Assembly on the trunking by means of screws

Comes with 2 screws M6x12

Reference	Use for trunking
6897 65	300x65mm metal
6897 66	405x65mm metal



Dimensions (mm):

Reference	X	Y
6897 65	300	65
6897 66	405	65

Flush Floor system

Number(s) :

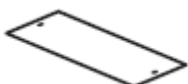




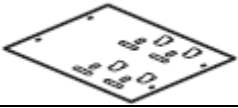


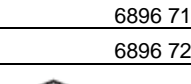

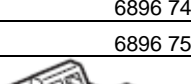


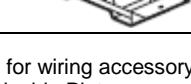
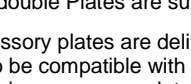
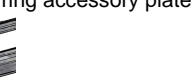
6897 50/51/55/57/60/61/62/63/65/66/67/68/69,

6896 30/31/32/33/36/37/40/41/42/43/47/92/93

3 PRODUCT DETAILS (continued)

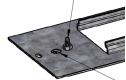
9- Wiring Accessory Plates

Standard Plates compatible with all backboxes.

6896 62		Wiring Accessory Plate - 77mm - blank
6896 63		Wiring Accessory Plate - 154mm - double
6896 65		Wiring Accessory Plate - 77mm - twin unswitched socket 13 A
6896 66		Wiring Accessory Plate - 77mm - twin switched socket double pole 13 A
6896 67		Wiring Accessory Plate - 77mm - twin switched socket clean earth 13 A
689668		Wiring Accessory Plate - 154mm - 2 twin switched sockets double pole 13 A
6896 69		Wiring Accessory Plate - 77mm - twin switched socket staggered double pole
6896 70		Wiring Accessory Plate - 77mm - 2x6C knockouts
6896 71		Wiring Accessory Plate - 77mm - 4x6C knockouts
6896 72		Wiring Accessory Plate - 77mm - 2x1mod Artéor
6896 73		Wiring Accessory Plate - 77mm - 2x2mod Artéor
6896 74		Wiring Accessory Plate - 77mm - 3x2mod Artéor
6896 75		Wiring Accessory Plate - 77mm - 2x6C knockouts wave
6896 76		Wiring Accessory Plate - 77mm - 4x6C knockouts wave
6896 77		Wiring Accessory Plate - 77mm - 2x3mod Artéor
6896 78		Wiring Accessory Plate - 77mm - 2x2mod Artéor wave

Dimensions for wiring accessory plates: single plate 237x77mm, double plate 237x154mm
Single and double Plates are supplied with epoxy power coating Silver Grey colour

Wiring accessory plates are delivered with 2 screws M3x8
Designed to be compatible with Cat 6 structured cabling systems.
Earth the wiring accessory plates by using the screw on bottom side



Earth marking

Technical information sockets :

- Mechanism Synergy
- 250V
- Terminal screws
- Compact mechanism for easy fitting
- British standard 1363-2

Note: Staggered Wiring Accessory Plate to avoid interference of plug cords.

Flush Floor system





Number(s) :

6897 50/51/55/57/60/61/62/63/65/66/67/68/69,

6896 30/31/32/33/36/37/40/41/42/43/47/92/93

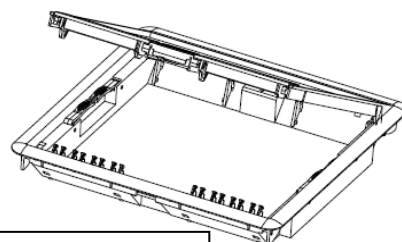
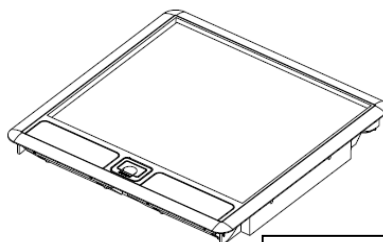
3 PRODUCT DETAILS (continued)

10- Lid & trim Floor box ref 6896 30/31/32/33/40/41/42/43

	Lid & Trim		Stainless steel insert	
				
				
	Rigid cable exits	Soft cable exits		
3 compt	gray 6896 30	6896 31	6896 92	
	beige 6896 32	6896 33		
4 compt	gray 6896 40	6896 41	6896 93	
	beige 6896 42	6896 43		

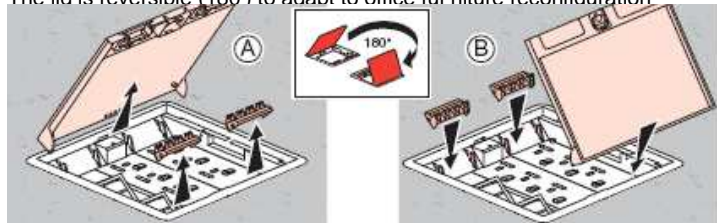
2 colours are available for lid & trim:

- Grey RAL 7031 (for ref 6896 32/33/42/43)
- Beige RAL 1019 (for ref 6896 30/31/40/41)

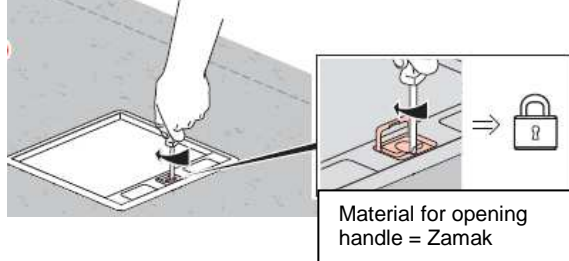


3 compartments & 4 compartments

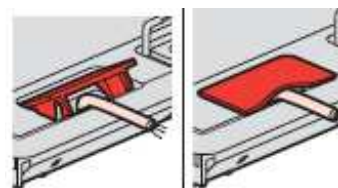
The lid is reversible (180°) to adapt to office furniture reconfiguration



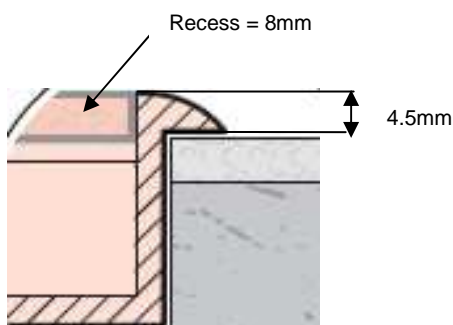
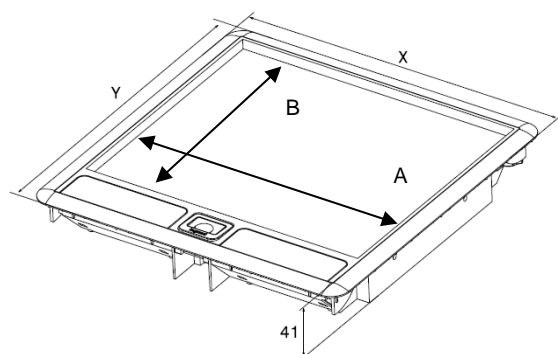
The lid & trim can be locked (floor box should not be locked when in use)



Material for opening handle = Zamak



Rigid and flexible cable exits: Maximum cable capacity 4 cables Ø 7mm + 3 cables Ø 11mm



Dimensions (mm):

Reference	X	Y	A	B
6896 30/31/32/33	280	280	245.5	210
6896 40/41/42/43	357	280	322	210

Flush Floor system




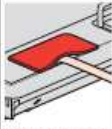
Number(s) :

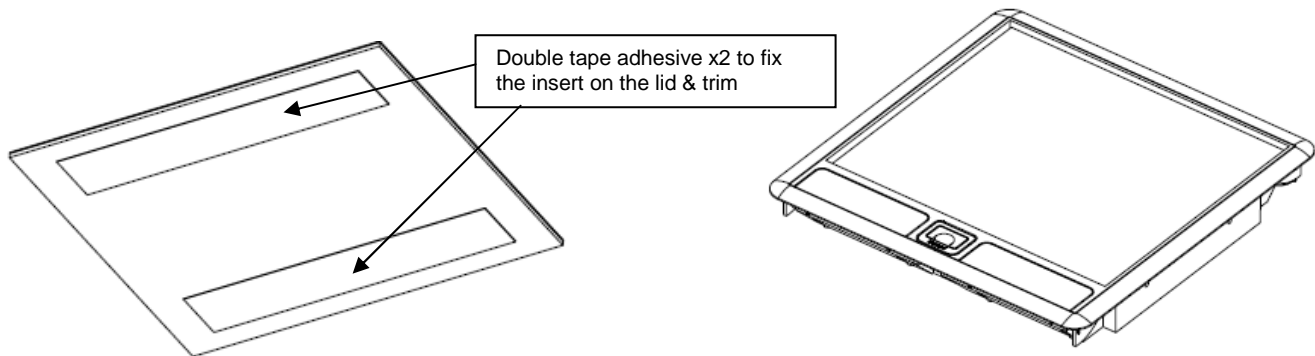
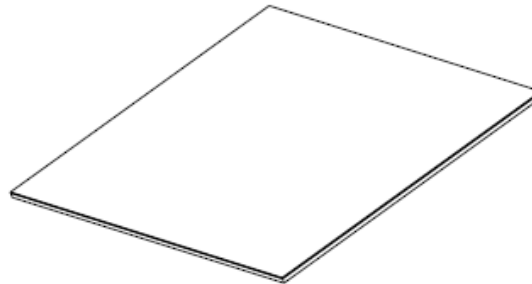
6897 50/51/55/57/60/61/62/63/65/66/67/68/69,

6896 30/31/32/33/36/37/40/41/42/43/47/92/93

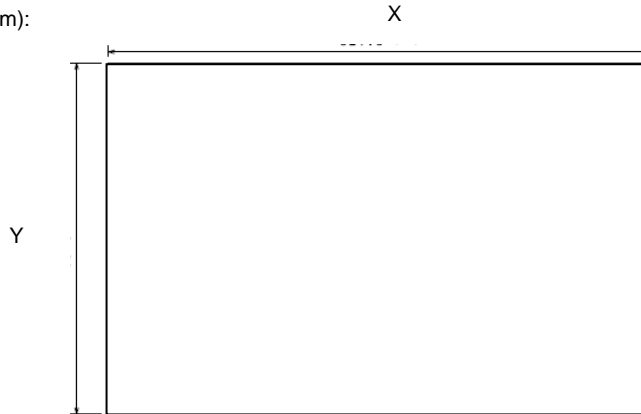
3 PRODUCT DETAILS (continued)

11- Stainless steel insert ref 6896 92/93

		Lid & Trim		Stainless steel Insert	
					
					
		Rigid cable exits	Soft cable exits		
3 compt	grey	6896 30	6896 31	6896 92	
	beige	6896 32	6896 33		
4 compt	grey	6896 40	6896 41	6896 93	
	beige	6896 42	6896 43		



Dimensions (mm):



Thickness: 7mm

Reference	X	Y
Lid & trim 3 compt	245.5	210
Lid & trim 4 compt	322	210

Cleaning:

The exterior should only be cleaned using a cleaner degreaser.

Flush Floor system

Number(s) :

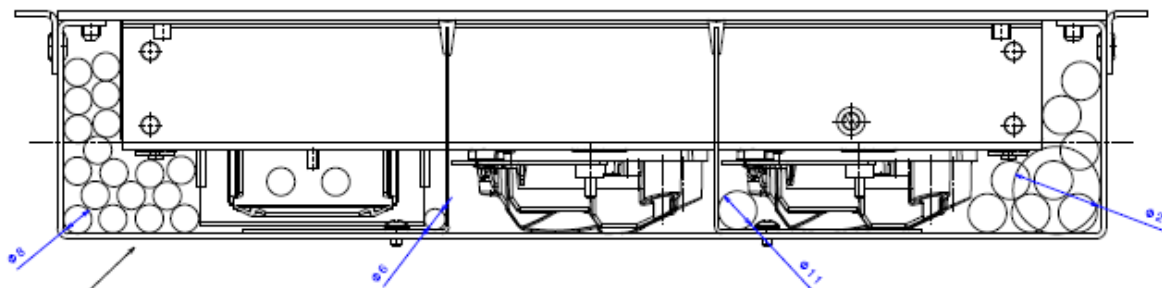
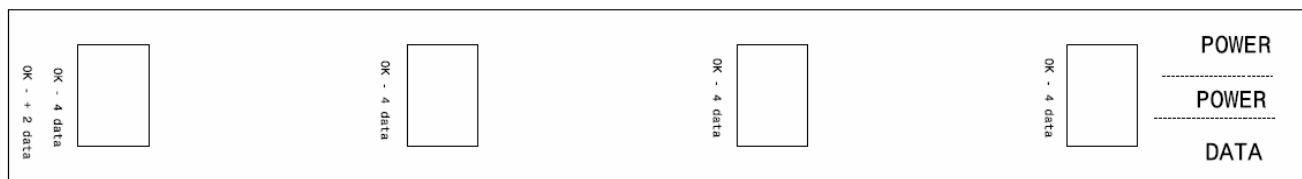
6897 50/51/55/57/60/61/62/63/65/66/67/68/69,

6896 30/31/32/33/36/37/40/41/42/43/47/92/93

4. TECHNICAL CHARACTERISTICS

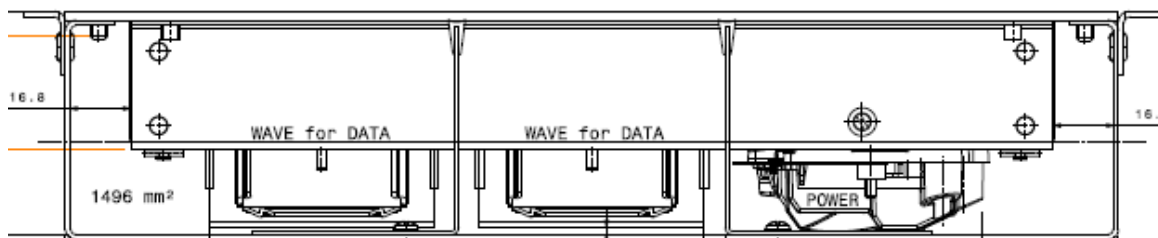
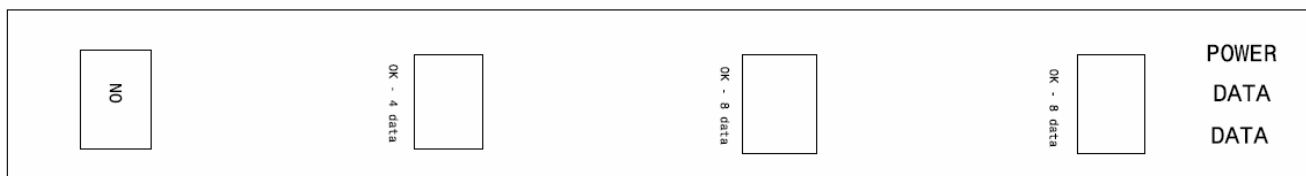
Here is the full study on cabling capacity with 300mm wide flush trunking and 3 compt floor box:

- 4 boxes in a row when we have up to 4 data sockets in a box (on the compartment on the side of the box)



20 cables Ø 8mm

- 3 boxes in a row when we have up to 8 data sockets in a box (4 x 2 compartments)



- we shouldn't position the data in the compartment in the middle (no place for cables)



Flush Floor system

Number(s) :

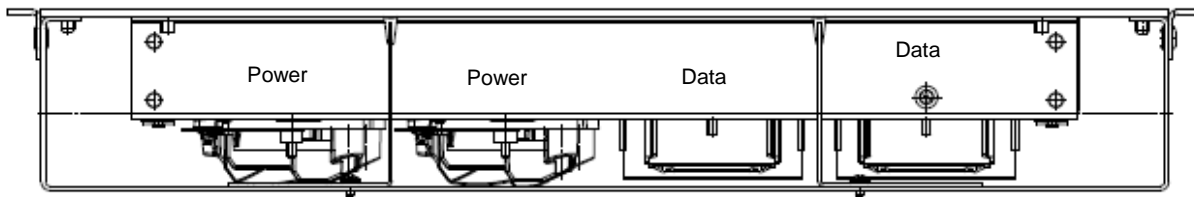
6897 50/51/55/57/60/61/62/63/65/66/67/68/69,

6896 30/31/32/33/36/37/40/41/42/43/47/92/93

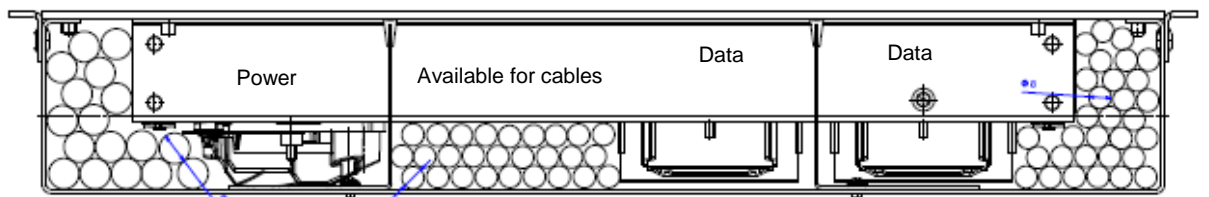
4. TECHNICAL CHARACTERISTICS

Here is the full study on cabling capacity with 400mm wide flush trunking and 4 compt floor box:

If you use on the centre compartment one wave for Power and one wave for data, you don't have place for cables:



On the center compartment, if you put just one wave for data, you have the place for 20 cables Ø 8mm

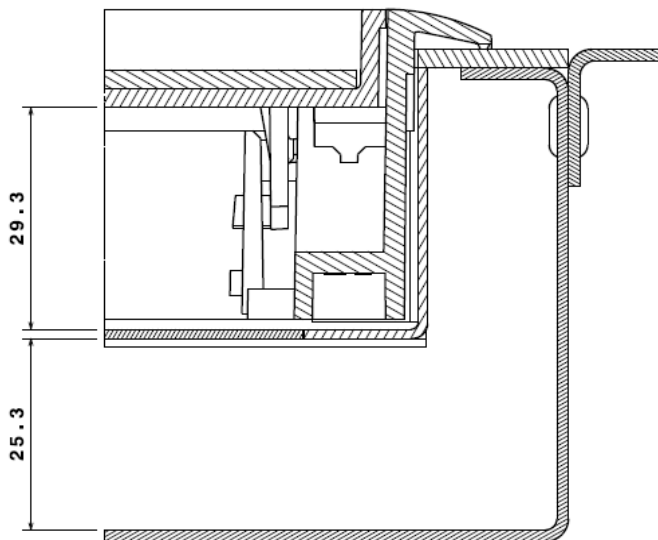


17 cables Ø 11mm

20 cables Ø 8mm

31 cables Ø 8mm

Note: assembly lid and trim support plate on the flush trunking:



Flush Floor system

Number(s) :

6897 50/51/55/57/60/61/62/63/65/66/67/68/69,

6896 30/31/32/33/36/37/40/41/42/43/47/92/93

4. TECHNICAL CHARACTERISTICS

Classification for Flush floor (standard EN 50085-2-2)

6.2 Resistance to impact for installation and application	2.0J
6.3 Minimum storage and transport temperature	- 25°C
6.3 Minimum installation and application temperature	- 5°C
6.3 Maximum application temperature	+ 60°C
6.4 Resistance to flame propagation	Non-flame propagating
6.5 Electrical continuity characteristic	With electrical continuity characteristic (Metal ducting & accessories)
6.6 Electrical insulating characteristic	Without electrical insulating characteristic (Metal ducting & accessories)
6.7 Degrees of protection provided by enclosure	IP 20
6.9 The system access cover retention	With a tool
6.101 Floor treatment	for dry-treatment of floor
6.102 Resistance to vertical load applied through small surface area	1500 N*
6.103 Optional classification: resistance to vertical load applied through large surface area	3 000 N
Rated voltage (PVC ducting)	500V
Protection against mechanical impact	IK08
Linear impedance in mΩ/m of trunking length	5 mΩ/m

*for 4 compartment, resistance to vertical load applied over a small surface area = 750N

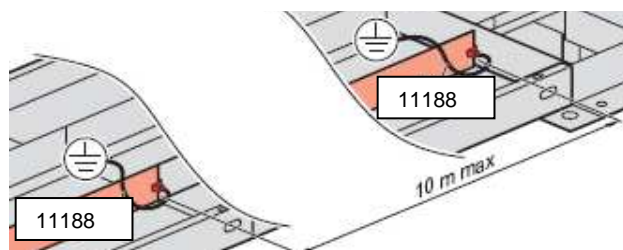
Composition and functions for Flush floor system:

	Fixing brackets	Coupler	End cap	Leveling	Riser	Junction box	Lid & Trim support plate	
				X 4			3 compt	4 compt
300 x 65 (mm) Metal	6897 50		6897 65	6897 67	6897 62	6897 60 or 6897 69	6896 36	-
405 x 65 (mm) Metal	6897 51	6897 55 6897 57	6897 66	6897 68	6897 63	6897 61	6896 37	6896 47

	Lid & Trim	Stainless steel Insert	
	Rigid cable exits	Soft cable exits	
3 compt	grey 6896 30 beige 6896 32	6896 31 6896 33	6896 92
4 compt	grey 6896 40 beige 6896 42	6896 41 6896 43	6896 93

Important:

Every 10meters maximum, earth the system (with ref 11188)



Metal trunking and Accessories:		
CAT N°	Designation	to earth the system
689750	Trunking	Yes
689751	Trunking	Yes
689636	Lid&Trim support plate 3 compt	Yes
689637	Lid&Trim support plate 3 compt	Yes
689647	Lid&Trim support plate 4 compt	Yes

Note: earth the wiring accessory plates (by using the screw on bottom side) page 16