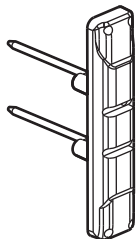
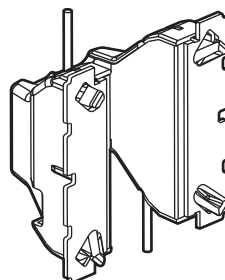


# Light indicators

Cat. No(s): 0 676 61/62/64/65/66/67/68/69/70/84/85/86/87/88  
 6 650 90/91/92



0 678 84/85/86/87/88



0 676 70

## 1. USE

Illuminated and signalling indicators.  
 Connection by direct or independant mounting with lamp free maintenance (LED).

## 2. RANGE

### ILLUMINATED INDICATORS

	Illuminated indicator 230 V	0 676 84 0 676 86
	Illuminated indicator 12/24/48 V	0 676 87
	Illuminated indicator 230 V	0 676 66
	Illuminated indicator 12/24/48 V	0 676 67
	Illuminated indicator 230 V	6 650 90
	Illuminated indicator 12/24/48 V	6 650 92

### SIGNALLING / ILLUMINATED INDICATORS

	Indicator with terminals for signalling or illumination function 230 V	0 676 69
	Separate indicator with luminous ring for signalling or illumination function 230 V	0 676 70

### SIGNALLING INDICATORS

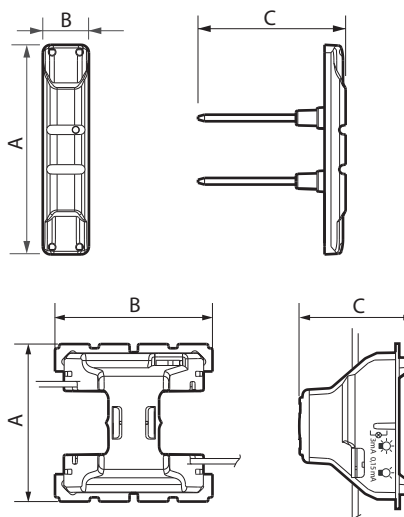
	Signalling indicator fo existing wiring 230 V	0 676 85
	Signalling function for distributed phase 230 V	0 676 88
	Signalling indicator for existing wiring 230 V	0 676 65
	Signalling function for distributed phase 230 V	0 676 68

## 2. RANGE (continued)

### SIGNALLING INDICATORS

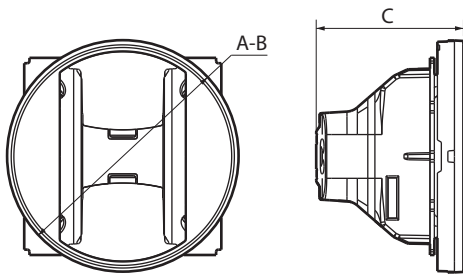
	Signalling indicator with terminals 12/24 V	0 676 61
	Signalling indicator with terminals 24/48 V	0 676 62
	Signalling indicator for socket outlet controlled 230 V	0 676 64
	Signalling indicator 230 V	6 650 91

## 3. OVERALL DIMENSIONS (mm)

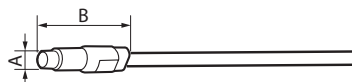


References	A	B	C
0 676 65/66/67/68	24.8	10	21.6
0 676 84/85/86/87/88	31.7	7	22.4
0 676 70	45.15	45.05	30.5
6 650 90/91/92	36.5	17.25	9.7

**3. OVERALL DIMENSIONS (mm) (continued)**



References	A	B	C
0 676 61/62/69	Ø 53		33.6



Reference	A	B
0 676 64	6,8	25.25

**4. CONNECTION**

References	Type of connection
0 676 61/62/69	Automatic terminals
0 676 65/66/67/68	With pins
0 676 84/85/86/87/88	With pins
0 676 70	2-wires connection
0 676 64	2-wires connection
6 650 90/91/92	2-wires connection

**5. TECHNICAL CHARACTERISTICS**

■ **5.1 Mechanical characteristics**

Protection against solid bodies and liquids: IP 40 (mounted)  
IP 20 (alone)

Impact tests: IK 04

■ **5.2 Material characteristics**

Halogen-free

Self-extinguishing:

+ 850° C / 30 s for insulating parts holding live parts in place.  
+ 650° C / 30 s for other parts made of insulating materials.

■ **5.3 Electrical characteristics**

References	Voltage	Current
0 676 84/86	230 V	0.15 mA
0 676 87	12 V	0.4 mA
	24 V	1.2 mA
	48 V	3.7 mA
0 676 85/88	230 V	3 mA
0 676 66	230 V	0.15 mA
0 676 67	12 V	0.2 mA DC
	24 V	0.9 mA DC
	48 V	2.7 mA DC
0 676 67	12 V	0.4 mA AC
	24 V	1.2 mA AC
	48 V	3.7 mA AC
0 676 65/68	230 V	3 mA
0 676 69/70	230 V	3 mA signalling
	230 V	0.15 mA illuminated
0 676 61	12/24 V	27 mA
0 676 62	24/48 V	10 mA
0 676 64	230 V	2.4 mA
6 650 90	230 V	0.15 mA
6 650 91	230 V	3 mA

■ **5.4 Climatic characteristics**

Storage and operating temperature: - 5° C to + 35° C

**6. CLEANING**

Surface cleaning with a cloth.

Do not use: acetone, tar remover, trichloroethylene.

**7. STANDARDS AND APPROVALS**

Compliant with installation and manufacturing standards.

See e-catalogue.