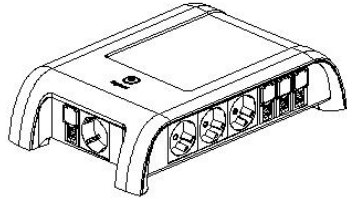
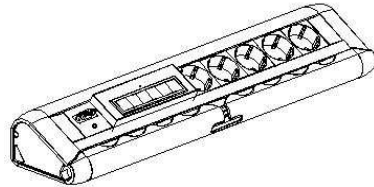


## Meeting room multi-outlet extensions

Number(s) : 6 535 70/72/74/75/77



Ref 6 535 75



Ref 6 535 72

### CONTENTS

1 Range central table  
2 Range U table

### PAGES

1 to 2  
3 to 4

Meeting room multi-outlet extensions equipped with cord.

For meeting room with central table :

- equipped with 8 2P+E sockets with 45° sloping screw recesses for easy insertion of angled plug on/off switch with light indicator.

Power : 16A 3680W in 230V (AC)

- equipped with 5m cord (HO5VVF 3 G1.5mm<sup>2</sup>) with 2P+E plug

Supplied with carrying case

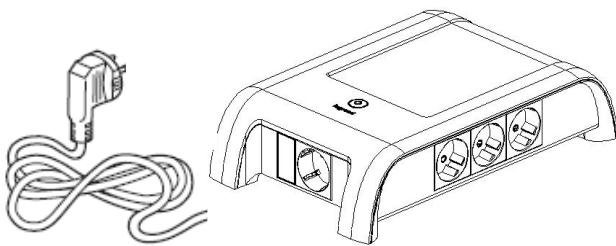
The meeting room multi-outlet extensions offers:

- a range perfectly adapted to the needs for the meeting rooms with central table.
- product design, aesthetic and ergonomic.
- a connection of the users by WI-FI or RJ 45
- a reliability and an optimal safety (conform to the standard NFC 61-314)

### 1 RANGE CENTRAL TABLE

For meeting rooms with central table.

High current ref 6 535 74



For connecting up to 8 devices

Composition :

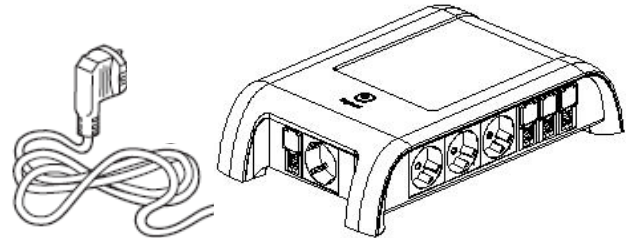
- 8 x 2 P+E with 45° sloping screw recesses

Supplied with carrying case

Pack by 1

### 1 RANGE CENTRAL TABLE (continued)

With non manageable switch ref 6 535 75



For connecting up to 8 devices and networking up to 6 peripherals (computers,...)

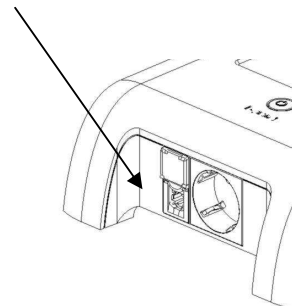
Composition :

- 8 x 2 P+E sockets

- 1 - 10/100 base T non manageable switch 6 ports

Require the use of Ethernet 10/100 base T network cards on the peripherals for 10/100 Mbps data exchanges.

The switch data entry is located on this side on a RJ designated with "data entry"



Network cable not supplied

Supplied with carrying case

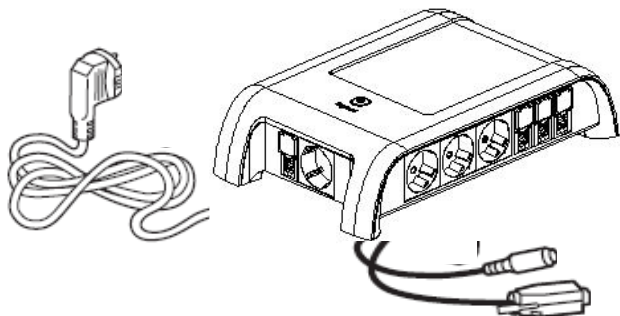
Pack by 1

# Meeting room multi-outlet extensions

Number(s) : 6 535 70/72/74/75/77

## 1 RANGE CENTRAL TABLE (continued)

Blocs pour salle de réunion réf 6 535 77



With Wi-Fi access point and socket HD 15 + Jack 3.5mm

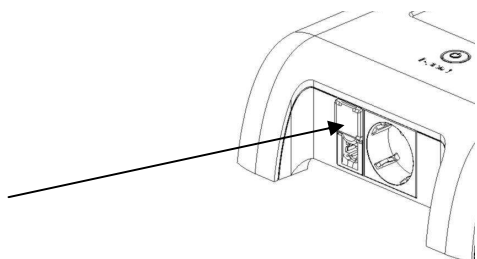
For connecting up to 7 devices and networking up to 6 peripherals (computers,...) with 1 access point HD 15 and Jack 3.5mm

Require the use of Ethernet 10/100 base T network cards on the peripherals for 10/100 Mbps data exchanges.

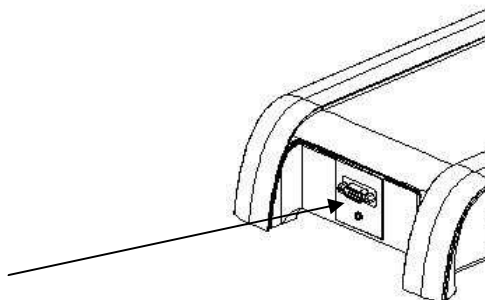
Composition :

- 7 x 2 P+E sockets
- 1 non manageable 10/100 base T switch 6 ports
- 1 socket HD 15 + Jack 3.5mm
- cable VGA 1m female (complete with extension VGA)
- cable Jack 3.5mm female 1m.

The data in is located on this side on a RJ designated with "data entry"



The socket HD 15 + Jack 3.5mm entry is located on the other side.



Network cable not supplied  
Supplied with carrying case  
Pack by 1

## 1 RANGE CENTRAL TABLE (continued)

**Technical characteristics:**

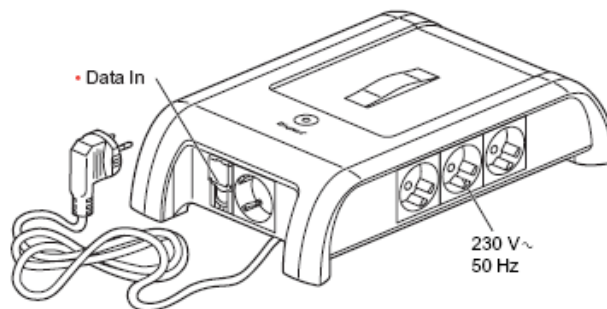
Power : 16A 3680W in 230V (AC)

Delivered with extension cable :

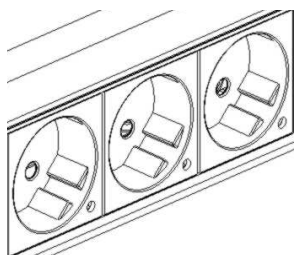
Cable type : 5m cord (HO5VVF 3 G1.5mm<sup>2</sup>) with 2P+E plug  
Plug type :

Electrical protection :

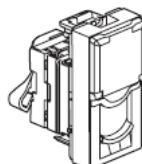
Equipped with Mosaic sockets with 45° sloping screw recesses for easy insertion of angled plugs.



Mosaic sockets with grey cover plates for standard circuits.



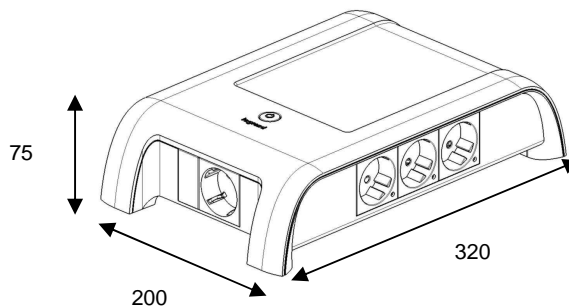
RJ 45 sockets in 1 module



**Technical characteristics:**

Dimension in mm of the meeting room multi-outlet :

For all réf 6 535 74/75/76/77



**Material characteristics:**

Meeting room multi-outlets are in plastic white colour to be equipped with Mosaic or RJ45 sockets in plastic grey colour

# Meeting room multi-outlet extensions

Number(s) : 6 535 70/72/74/75/77

## 2 RANGE U TABLE

For meeting rooms with U table.

Aluminium extensions  
2P+E sockets with 45° sloping screw recesses for easy insertion of angled plug.

16A – 250V (AC) with shutters  
Power : 16A 3680W at 230V (AC) per circuit

Equipped with 3m cord (HO5VVF 3G 1.5mm<sup>2</sup>) with 2P+E plug and 3m cord with RJ 45 Cat. 6 FTP plug, wired

With switch ref 6 535 70



For connecting up to 6 devices and networking up to 6 peripherals (computers,...)

Require the use of Ethernet 10/100 base T network cards on the peripherals for 10/100 Mbps data exchanges.

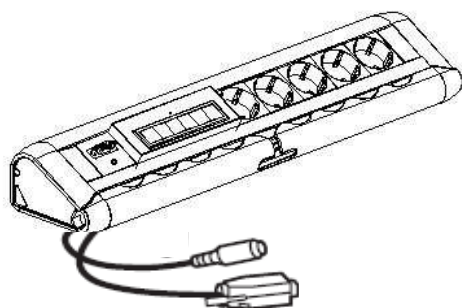
Voltage power indicator on front panel

Composition :

- 6 x 2 P+E sockets
- 1 non manageable 10/100 base T switch 6 ports

Dimensions in mm (L = 502 x l = 114 x h = 85)

With switch non manageable + socket HD15 + Jack ref 6 535 72



For connecting up to 5 devices and networking up to 6 peripherals (computers,...) with 1 access point HD 15 and Jack 3.5mm

Require the use of Ethernet 10/100 base T network cards on the peripherals for 10/100 Mbps data exchanges.

Composition :

- 5 x 2 P+E sockets
- 1 non manageable 10/100 base T switch 6 ports
- 1 socket HD 15 + Jack 3.5mm
- cable VGA 1m female (complete with extension VGA)
- cable Jack 3.5mm female 1m.

Dimensions in mm (L = 502 x l = 114 x h = 85)

## 2 RANGE U TABLE (continued)

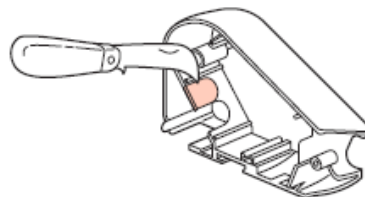
Technical characteristics:

Products are delivered with cable grip



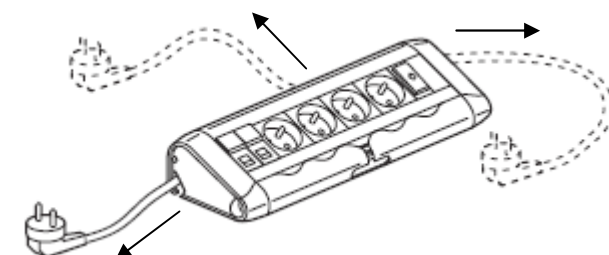
Passing the cable through the end cap :

The end cap includes 1 cable entry.

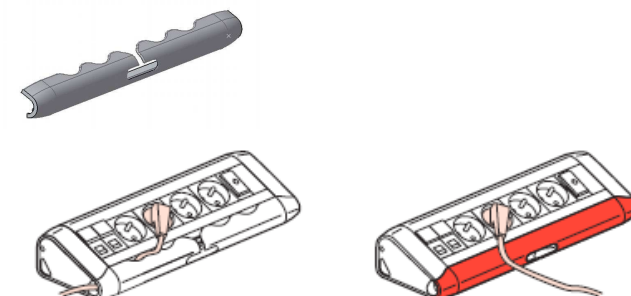


To fit a second cable, take out the part as shown above

Depending on your workstation, you can choose from where the cables go out from the outlet :

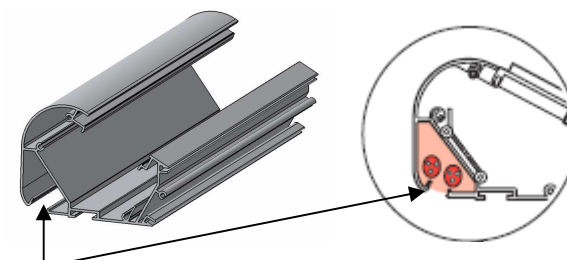


Cables management :



Type of screws delivered : posidrive head

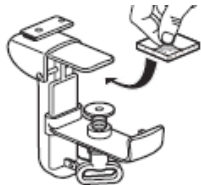
Useful information :



Enable you to fit 2 cables 3G 1.5 mm<sup>2</sup> or 3 data cables + 1 power cable.

## 2 RANGE U TABLE (continued)

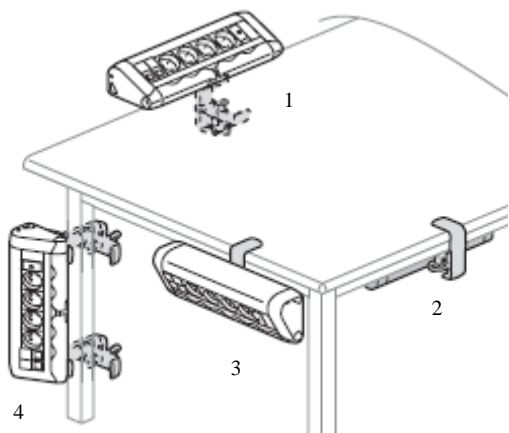
Fixing accessory Cat.Nos 535 99.



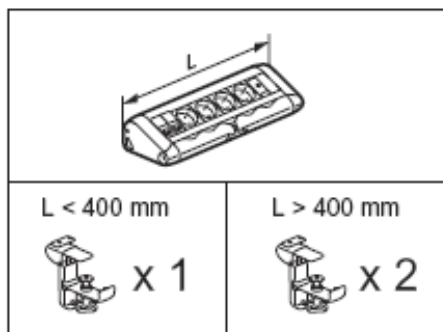
To fit on a desk  
Material : Zamak (stainless steel color)

Multi-position fixing device :

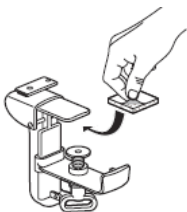
- On the desk
- Under the desk
- Along the desk
- On the desk foot



Quantity of accessories to be used :



It is delivered with an adhesive desk protection accessory



### Material characteristics:

Standard or on demand products body in anodized stainless steel

End caps in ABS grey RAL 7035 or stainless steel finish  
Cable management in Polyamide RAL 7035  
Cable thightener in ABS  
Linetape in Polypropylene