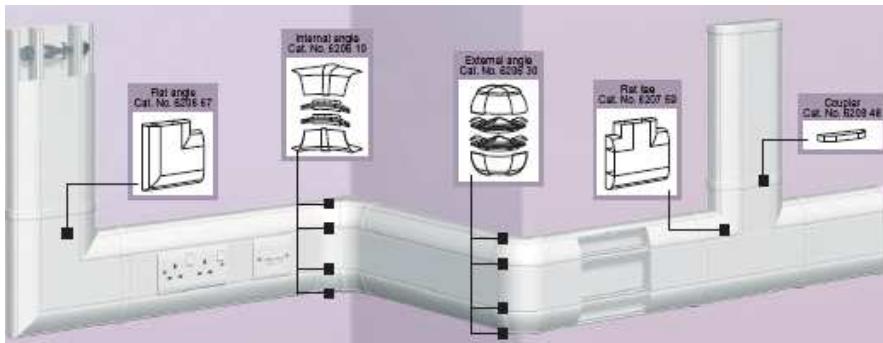


DLP Contour Trunking Profiles and accessories

Number(s) : 010606/07/35/36/82/95, 010703/07/80/81/82/83/89/93, 030897/99, 6204 44/47/54/55/58, 6206 10/18/29/30/43/44/65/66/67, 6207 10/13/14/45/46/49/54/56/57/59/60, 6208 16/17/26/27/38/39, 6208 43/45/46/47/48



CONTENTS	PAGES
1. Range	1 to 2
2. Dado	3 to 5
3. Skirting	6 to 8
4. Universal	9 to 11
5. Accessories	12 to 14
6. Technical characteristics	15 to 16

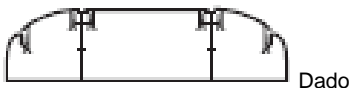
1. RANGE

DLP Contour trunking offers:

- the distribution, the protection and the derivation of various cables in an electrical installation.
- trunkings, finishing accessories (end cap, couplers, interior angle, exterior angle, flat angle, derivation)
- all the easy ways/advantages for the installation.
- to comply with the norm EN 50085-2-1, safety and technical performance.
- a flexibility with the installation and maintenance:

Three stylish profiles, five versatile options:

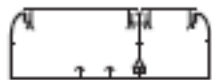
DLP Contour is available in a choice of three different profiles (dado, skirting and universal) each of which offers a selection of sizes to ensure the right configuration as well as the right look



Dado



Skirting



Universal

Smooth cornering:

Create a smooth, contoured, professional finish, even when walls are not perfectly square, using DLP Contour's adjustable corners and unique flexible lid.

DLP Contour's unique innovations such as the flexible lid, clip in/out back boxes and adjustable corners make installation and maintenance child's play.

1. RANGE (continued)

DLP Contour trunking offers:

Access to and use of buildings:
Meeting the requirements of the latest Part M regulations;

Part M requirements for wiring devices and controls take into account three elements:

Accessibility: positioning of wiring devices
Visibility: contrast with surroundings
Ease of use: large or separated controls

The perfect finish:

Add versatility and style with Mosaic, Artèor and Synergy wiring devices.

Complete your installation with Mosaic, Artèor or Synergy wiring devices. Timeless design, ingenious features and high quality components that provide complete solutions for today's demanding users.

Fixing by:

- wall plugs for immediate fixing (without screw nor nail ref. 30899)
- DLP rapid wall plug ref. 30897 (for 10mm min. plasterboard walls at least 20 mm away from a concrete surface. For fixing DLP plastic trunking in a single operation.
- Spit end (the fast fixing of sections ref. 10695 allows)
- screw, nails...

Possibility of adapting removable separations.

White color RAL 9003

Assembly of the body and covers by clips (disassembling with the assistance tool ex: screwdriver)

Full assembled trunking (supplied with flexible covers)

Available in length of 3m.

DLP Contour Trunking Profiles and accessories

Number(s) : 010606/07/35/36/82/95, 010703/07/80/81/82/83/89/93,
030897/99, 6204 44/47/54/55/58, 6206 10/18/29/30/43/44/65/66/67,
6207 10/13/14/45/46/49/54/56/57/59/60, 6208 16/17/26/27/38/39,
6208 43/45/46/47/48

1. RANGE (continued)

DLP CONTOUR 3 M

DLP CONTOUR 3 M						TRUNKING	FITTINGS	
Section (mm)	Number of compartments		Page No.	Lid width (mm)	Trunking	Couplers	End caps	
DADO	195 x 50	3		p. 14	2 x 42 curved + 1 x 85	6204 55	6208 48	6207 13
	150 x 50	2		p. 15	1 x 42 curved + 1 x 85	6204 58	6208 46	6207 14
SKIRTING	195 x 50	3		p. 16	1 x 42 curved + 1 x 85 + 1 x 40	6204 54	6208 47	6207 10
	150 x 50	2		p. 17	1 x 40 + 1 x 85	6204 44	6208 39	0107 03
UNIVERSAL	195 x 65	2		p. 18	2 x 85	6204 47	6208 45	0107 07

FITTINGS

Internal angles	External angles	Flat angles up	Flat angles down	Flat tees	Cable retainer	VDI accessories	Bridge for Tee
6206 10	6206 30	6206 67	6206 67	6207 59	0106 82	-	6207 60
6206 18	6206 29	6206 43	6206 44	See below	0106 82	-	6207 60
6206 18	6206 29	6206 65	6206 66	See below	0106 82	-	6207 60
0106 06	0106 35	0107 89	0107 89	See below	0106 82	See below	6207 60
0106 07	0106 36	0107 93	0107 93	6207 49	0106 82	See below	6207 60

FLAT TEES		Vertical branch			
		150 x 50	150 x 50	195 x 50	
Horizontal trunking	150 x 50		6207 54	6207 56	-
	195 x 50		-	-	6207 57
	150 x 50		6207 45	6207 46	-

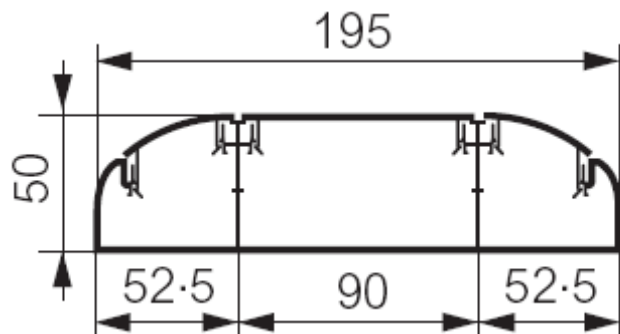
VDI ACCESSORIES (FOR DATA CABLING)	
Accessory	Cat. Nos.
For internal angle	0107 80
For external angle	0107 81
For flat bend	0107 82
For flat tee	0107 83

DLP Contour Trunking Profiles and accessories

Number(s) : 010606/07/35/36/82/95, 010703/07/80/81/82/83/89/93, 030897/99, 6204 44/47/54/55/58, 6206 10/18/29/30/43/44/65/66/67, 6207 10/13/14/45/46/49/54/56/57/59/60, 6208 16/17/26/27/38/39, 6208 43/45/46/47/48

2. DADO

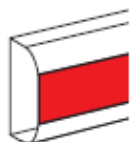
2.1. Trunking ref 6204 55



Body, lids and dividers included;

Pack by 2x3m lengths

2.2. Lids ref 620509/22



Spare flat lid – 85 mm



Spare curved lid – 42 mm

Covers available in length of 3m.

- fixes itself on the whole of the trunking including in the interior/exterior angles (it follows the configuration of the building site).
- clips easy even in the angles and using a tool for pull out the lid to preserve the safety of the installation.
- the square flat lid 85mm (flexible cover) of offer DLP make it possible to obtain a system more evolutionary, flexible, with a new aesthetics and allowing a perfect separation of the currents.

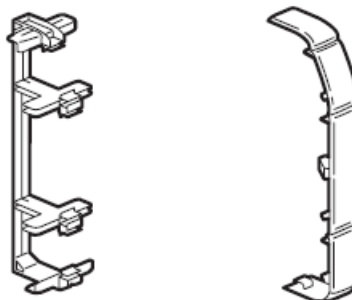
White color RAL 9003

References	Lid (mm)	Pack by
6205 22	85mm	8x3m
6205 09	42mm	2x3m

Assembly bodies-covers by clips (disassembling using a tool e.g.: screwdriver)

2. DADO (continued)

2.3. Couplers ref. 6208 48



White color RAL 9003

- Consists of body coupler and lid joint strip

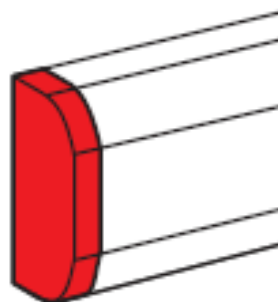
Allows:

- the junction end to end of two same profiles
- to respect of the degree protection
- to improve aesthetics (covering of the cut)
- assembly of the couplers by clips during installation.

Assembly of the cover joint by clips of the two parts

References	Pack by	Use with ref
6208 48	5	6208 48

2.4. End cap ref.6207 13



White color RAL 9003

Allows to block the end of the body:

- respect of the protection degree
- improvement of aesthetics (covering of the cut)
- left or right end cap

Assembly on the body by fitment and screwing.

The end cap is delivered with a screw and of a part of closing

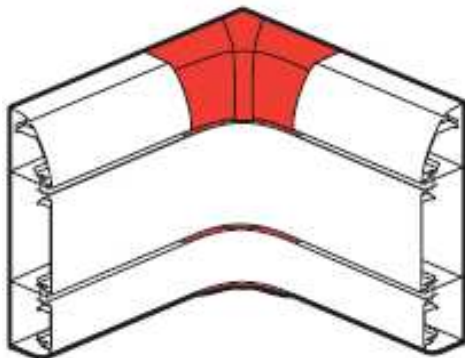
References	Pack by	Use with ref
6207 13	5	6204 55

DLP Contour Trunking Profiles and accessories

Number(s) : 010606/07/35/36/82/95, 010703/07/80/81/82/83/89/93,
030897/99, 6204 44/47/54/55/58, 6206 10/18/29/30/43/44/65/66/67,
6207 10/13/14/45/46/49/54/56/57/59/60, 6208 16/17/26/27/38/39,
6208 43/45/46/47/48

2. DADO (continued)

2.5. Internal angle ref. 6206 10



White color RAL 9003

The two pieces junction in the interior angle:

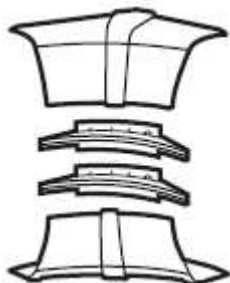
- avoids the cut of miter on the trunking
- respects of the degree protection
- improves aesthetics (covering of the cut and not or little extra thickness)

Assembly on the body by clipsage.

The internal angles thus ensure the continuity of the flexible cover on the angles and do not require cut of cover, and keep aesthetics. Variable internal angles of $90^{\circ} \pm 5^{\circ}$.

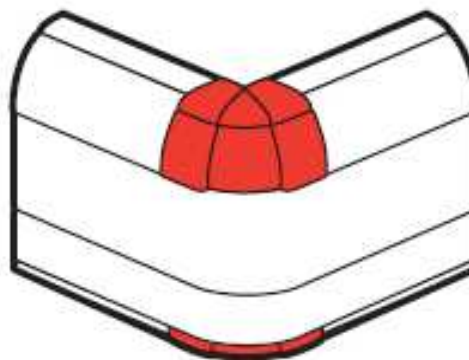
The interior angles are delivered with:

- 1 element to some extent high
- dividers
- 1 element to some extent low part



2. DADO (continued)

2.6. External angle ref. 6206 30



White color RAL 9003

The junction in exterior angle of two pieces of the same section:

- avoids the cut of miter on the trunking
- respects of the degree protection
- improves aesthetics (covering of the cut and not or little extra thickness)

Assembly on the body by clipsage.

The external angles thus ensure the continuity of the flexible cover on the angles and do not require cut of cover, and keep aesthetics. Variable external angles of $90^{\circ} \pm 5^{\circ}$.

The external angles are delivered with:

- 1 element to some extent high
- dividers
- 1 element to some extent low part

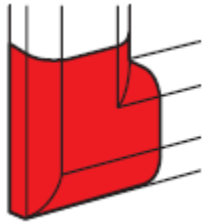


DLP Contour Trunking Profiles and accessories

Number(s) : 010606/07/35/36/82/95, 010703/07/80/81/82/83/89/93,
030897/99, 6204 44/47/54/55/58, 6206 10/18/29/30/43/44/65/66/67,
6207 10/13/14/45/46/49/54/56/57/59/60, 6208 16/17/26/27/38/39,
6208 43/45/46/47/48

2. DADO (continued)

2.7. Flat angle ref.6206 67



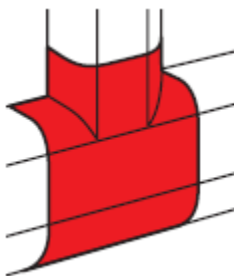
White color RAL 9003

The junction in flat angle of two same sections allows:

- to avoid the cut of miter on the trunking
- to respect of the degree protection
- the distribution of the various currents preserves
- to improve aesthetics (to use the couplers to connect the flat angle to the trunking)

References	Pack by	Use with ref
6206 67	2	6204 55

2.8. Flat junction ref.6207 59



6207 59 : To tap-off to an 195x50mm wide trunking

White color RAL 9003

The junction in "T" allows.

- to respect of the degree protection
- to improve aesthetics (to use the couplers to connect the flat angle to the trunking)

References	Pack by	Use with ref
6206 59	2	6204 55

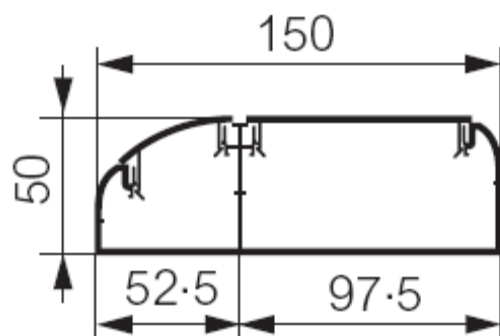
DLP Contour Trunking Profiles and accessories

Number(s) : 010606/07/35/36/82/95, 010703/07/80/81/82/83/89/93,
030897/99, 6204 44/47/54/55/58, 6206 10/18/29/30/43/44/65/66/67,
6207 10/13/14/45/46/49/54/56/57/59/60, 6208 16/17/26/27/38/39,
6208 43/45/46/47/48

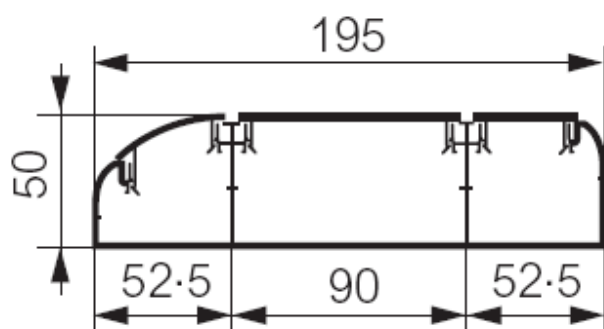
3. SKIRTING

3.1. Trunkings.

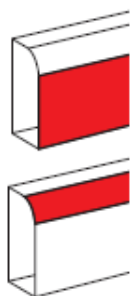
150x50 ref 6204 58:



195x50 ref 6204 54:



3.2. Lids ref 6205 09/22



Spare flat lid – 85 mm

Spare curved lid – 42 mm

Covers available in length of 3m.

- fixes itself on the whole of the trunking including in the interior/exterior angles (it follows the configuration of the building site).
- clips easy even in the angles and using a tool for pull out the lid to preserve the safety of the installation.
- the square flat lid 85mm (flexible cover) of DLP offer makes it possible to obtain a system more evolutionary, flexible, with a new aesthetics and allowing a perfect separation of the currents.

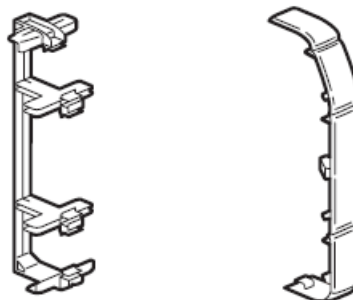
White color RAL 9003

References	Lid (mm)	Pack by
6205 22	85mm	8x3m
6205 09	42mm	2x3m

Assembly bodies-covers by clips (disassembling using a tool e.g.: screwdriver)

3. SKIRTING (continued)

3.3. Couplers ref. 6208 38/43



White color RAL 9003

- Consists of body coupler and lid joint strip

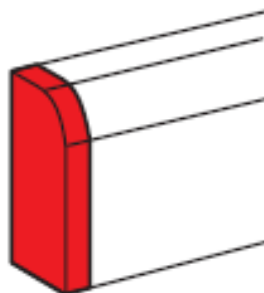
Allows:

- the junction end to end of two same profiles
- to respect of the degree protection
- to improve aesthetics (covering of the cut)
- assembly of the couplers by clips during installation.

Assembly of the cover joint by clips of the two parts

References	Pack by	Use with ref
6208 46	5	6204 58
6208 47	5	6204 54

3.4. End cap ref.10702/11



White color RAL 9003

Allows to block the end of the body:

- respect of the protection degree
- improvement of aesthetics (covering of the cut)
- left or right end cap

Assembly on the body by fitment and screwing.

The end cap is delivered with a screw and of a part of closing

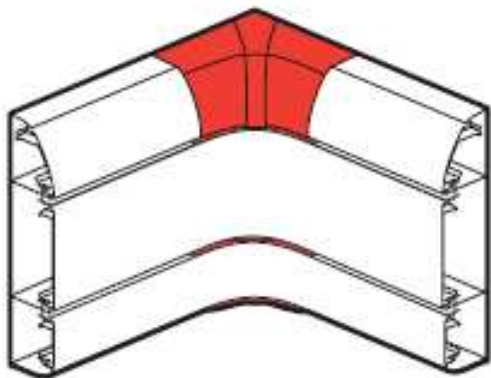
References	Pack by	Use with ref
6207 14	5	6204 58
6207 10	195	6204 54

DLP Contour Trunking Profiles and accessories

Number(s) : 010606/07/35/36/82/95, 010703/07/80/81/82/83/89/93,
030897/99, 6204 44/47/54/55/58, 6206 10/18/29/30/43/44/65/66/67,
6207 10/13/14/45/46/49/54/56/57/59/60, 6208 16/17/26/27/38/39,
6208 43/45/46/47/48

3. SKIRTING (continued)

3.5. Internal angle ref. 6206 18



White color RAL 9003

The two pieces junction in the interior angle:

- avoids the cut of miter on the trunking
- respects of the degree protection
- improves aesthetics (covering of the cut and not or little extra thickness)

Assembly on the body by clipsage.

The internal angles thus ensure the continuity of the flexible cover on the angles and do not require cut of cover, and keep aesthetics. Variable internal angles of $90^{\circ} \pm 5^{\circ}$.

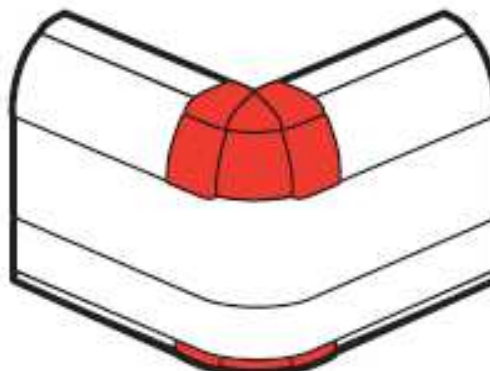
The interior angles are delivered with:

- 1 element to some extent high
- dividers
- 1 element to some extent low part



3. SKIRTING (continued)

3.6. External angle ref. 6206 29



White color RAL 9003

The junction in exterior angle of two pieces of the same section:

- avoids the cut of miter on the trunking
- respects of the degree protection
- improves aesthetics (covering of the cut and not or little extra thickness)

Assembly on the body by clipsage.

The external angles thus ensure the continuity of the flexible cover on the angles and do not require cut of cover, and keep aesthetics. Variable external angles of $90^{\circ} \pm 5^{\circ}$.

The external angles are delivered with:

- 1 element to some extent high
- dividers
- 1 element to some extent low part



DLP Contour Trunking Profiles and accessories

Number(s) : 010606/07/35/36/82/95, 010703/07/80/81/82/83/89/93,
030897/99, 6204 44/47/54/55/58, 6206 10/18/29/30/43/44/65/66/67,
6207 10/13/14/45/46/49/54/56/57/59/60, 6208 16/17/26/27/38/39,
6208 43/45/46/47/48

3. SKIRTING (continued)

3.7. Flat angle ref.6206 43/44/65/66

The junction in flat angle of two same sections allows:

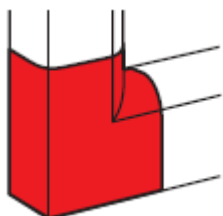
- to avoid the cut of miter on the trunking
- to respect of the degree protection
- the distribution of the various currents preserves
- to improve aesthetics (covering of the cut)

White color RAL 9003

References	Flat angle	Pack by	Use with ref
6206 43	up	2	6204 58
6206 44	down	2	6204 58
6206 65	up	2	6204 54
6206 66	down	2	6204 54

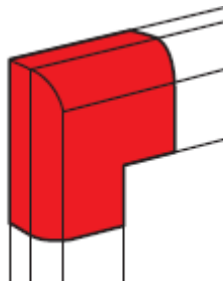
Ref 6206 43/65:

Flat angle up.



Ref 6206 44/66

Flat angle down.



3. SKIRTING (continued)

3.8. Flat tees ref.6207 54/56/57

The junction in "T" allows.

- to respect of the degree protection
- to improve aesthetics (covering of the cut)

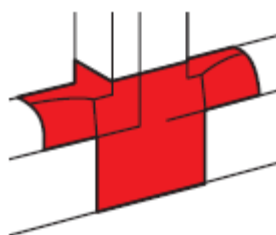
Assembly on the body by clipsage

White color RAL 9003

References	Pack by	Use with ref
6207 54	1	6204 58
6207 56	1	6204 58
6207 57	2	6204 54

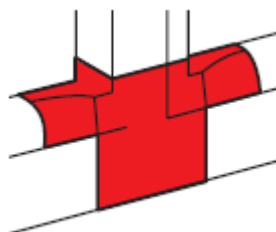
Ref 6207 54:

Flat tee universal right hand. Up with a 150x50mm universal branch with 85mm compartment on right hand side



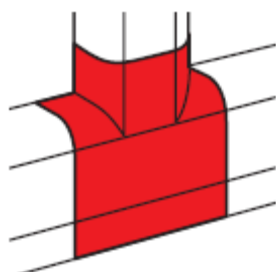
Ref 6207 56

Flat tee universal left hand. Up with a 150x50mm universal branch with 85mm compartment on left hand side



Ref 6207 57:

Flat tee to dado. Up with a 3 compartment 195x50mm dado branch.



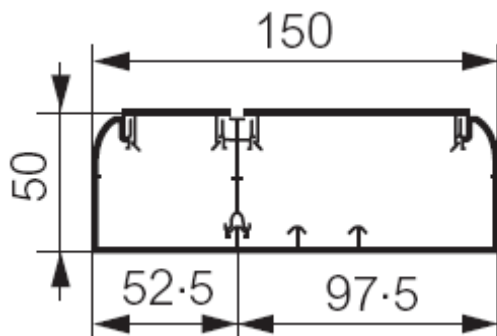
DLP Contour Trunking Profiles and accessories

Number(s) : 010606/07/35/36/82/95, 010703/07/80/81/82/83/89/93, 030897/99, 6204 44/47/54/55/58, 6206 10/18/29/30/43/44/65/66/67, 6207 10/13/14/45/46/49/54/56/57/59/60, 6208 16/17/26/27/38/39, 6208 43/45/46/47/48

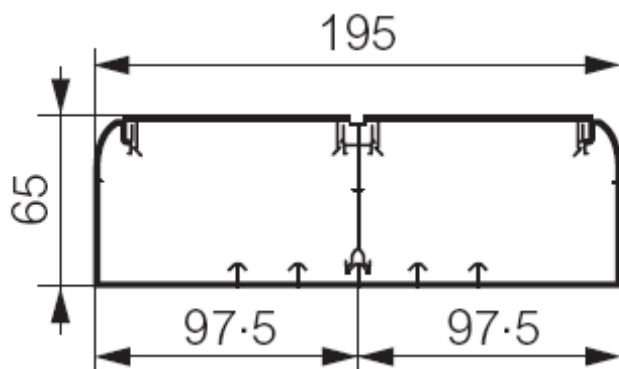
4. UNIVERSAL

4.1. Trunkings.

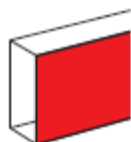
150x50 ref 6204 44:



195x50 ref 6204 47:



4.2. Lids ref 6205 09/22



Spare flat lid – 40 mm
Spare flat lid – 85 mm

Covers available in length of 3m.

- fixes itself on the whole of the trunking including in the interior/exterior angles (it follows the configuration of the building site).
- clips easy even in the angles and using a tool for pull out the lid to preserve the safety of the installation.
- the square flat lid 40 & 85mm (flexible cover) of offer DLP make it possible to obtain a system more evolutionary, flexible, with a new aesthetics and allowing a perfect separation of the currents.

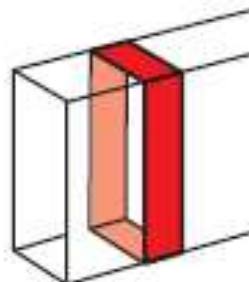
White color RAL 9003

References	Lid (mm)	Pack by
6205 20	40mm	12x3m
6205 22	85mm	8x3m

Assembly bodies-covers by clips (disassembling using a tool e.g.: screwdriver)

4. UNIVERSAL (continued)

4.3. Couplers ref. 6208 39/45



White color RAL 9003

- Consists of body coupler and lid joint strip

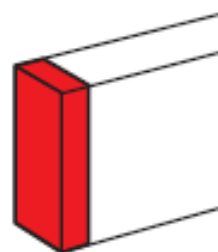
Allows:

- the junction end to end of two same profiles
- to respect of the degree protection
- to improve aesthetics (covering of the cut)
- assembly of the couplers by clips during installation.

Assembly of the cover joint by clips of the two parts

References	Pack by	Use with ref
6208 39	5	6204 44
6208 45	5	6204 47

4.4. End cap ref.010703/07



White color RAL 9003

Allows to block the end of the body:

- to respect of the protection degree
- improvement of aesthetics (covering of the cut)
- left or right end cap

Assembly on the body by fitment and screwing.

The end cap is delivered with a screw and of a part of closing

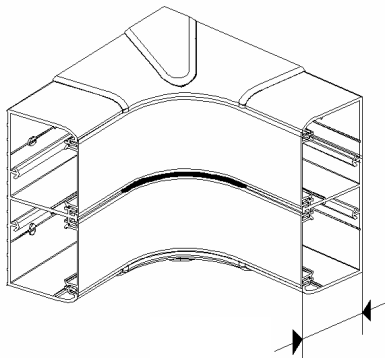
References	Pack by	Use with ref
010703	10	6204 44
010707	5	6204 47

DLP Contour Trunking Profiles and accessories

Number(s) : 010606/07/35/36/82/95, 010703/07/80/81/82/83/89/93,
030897/99, 6204 44/47/54/55/58, 6206 10/18/29/30/43/44/65/66/67,
6207 10/13/14/45/46/49/54/56/57/59/60, 6208 16/17/26/27/38/39,
6208 43/45/46/47/48

4. UNIVERSAL (continued)

4.5. Internal angle ref. 10606/07



White color RAL 9003

The two pieces junction in the interior angle:

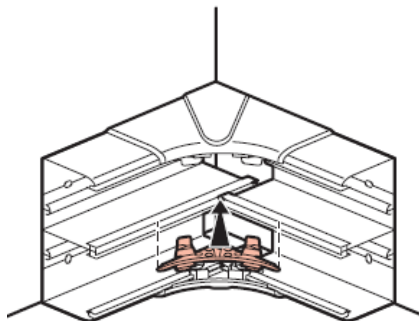
- avoids the cut of miter on the trunking
- respect of the degree protection
- to improve aesthetics (covering of the cut and not or little extra thickness)

Assembly on the body by clipsage.

The internal angles thus ensure the continuity of the flexible cover on the angles and do not require cut of cover, and keep aesthetics. Variable internal angles of $90^{\circ} \pm 5^{\circ}$.

The interior angles are delivered with:

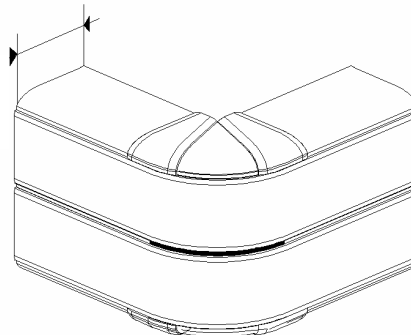
- 1 element to some extent high
- dividers
- 1 element to some extent low part



The supports of equipment should not be installed at least with 100mm on each side of the edge of the angles.

4. UNIVERSAL (continued)

4.6. External angle ref. 10635/36



White color RAL 9003

The junction in exterior angle of two pieces of the same section:

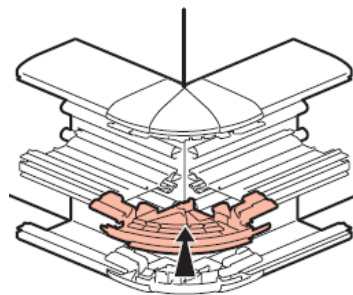
- avoids the cut of miter on the trunking
- respects of the degree protection
- to improve aesthetics (covering of the cut and not or little extra thickness)

Assembly on the body by clipsage.

The external angles thus ensure the continuity of the flexible cover on the angles and do not require cut of cover, and keep aesthetics. Variable external angles of $90^{\circ} \pm 5^{\circ}$.

The external angles are delivered with:

- 1 element to some extent high
- dividers
- 1 element to some extent low part



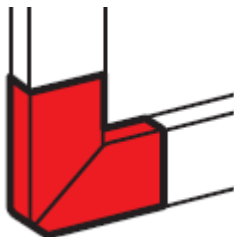
The supports of equipment should not be installed at least with 100mm on each side of the edge of the angles.

DLP Contour Trunking Profiles and accessories

Number(s) : 010606/07/35/36/82/95, 010703/07/80/81/82/83/89/93,
030897/99, 6204 44/47/54/55/58, 6206 10/18/29/30/43/44/65/66/67,
6207 10/13/14/45/46/49/54/56/57/59/60, 6208 16/17/26/27/38/39,
6208 43/45/46/47/48

4. UNIVERSAL (continued)

4.7. Flat angle ref.10789/93



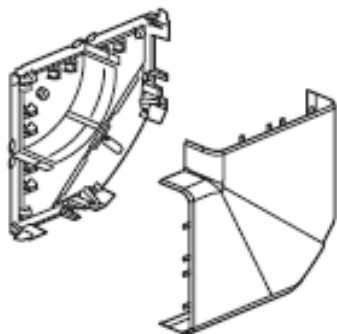
White color RAL 9003

The junction in flat angle of two same sections allows:

- to avoid the cut of miter on the trunking
 - to respect of the degree protection
 - the distribution of the various currents preserves
 - to improve aesthetics (covering of the cut)
- Assembly on the body by clipsage.

Flat angles are variable (85° to 95°)

The flat angles are delivered with 2 elements:



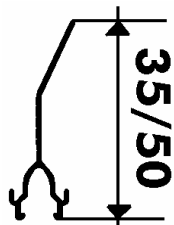
4.8. Spare clip-in PVC-U divider ref 10582/83

Separation partition ref. 10582/83

Delivered in length of 2m

For the separation of various types of currents allows (sector, telephone, data processing...)

Assembly with the body by clips.



ref 10582

References	Pack by	Use with ref
10582	12x2m	6204 44
10583	24x2m	6204 47

4. UNIVERSAL (continued)

4.9. Flat tees ref.6207 45/46/49

The junction in "T" allows.

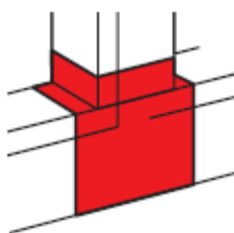
- to respect of the degree protection
 - to improves aesthetics (covering of the cut)
- Assembly on the body by clipsage

White color RAL 9003

References	Pack by	Use with ref
6207 45	1	6204 44
6207 46	1	6204 44
6207 49	1	6204 47

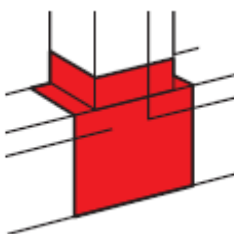
Ref 6207 45:

Flat tee universal 85 right hand. Up with a 150x50mm universal branch with 85mm compartment on right hand side



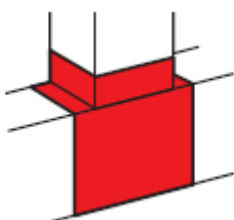
Ref 6207 46

Flat tee universal 85 left hand. Up with a 150x50mm universal branch with 85mm compartment on left hand side



Ref 6207 49:

Flat tee to universal. Up with a 2 compartment 195x65mm universal branch.



DLP Contour Trunking Profiles and accessories

Number(s) : 010606/07/35/36/82/95, 010703/07/80/81/82/83/89/93,
030897/99, 6204 44/47/54/55/58, 6206 10/18/29/30/43/44/65/66/67,
6207 10/13/14/45/46/49/54/56/57/59/60, 6208 16/17/26/27/38/39,
6208 43/45/46/47/48

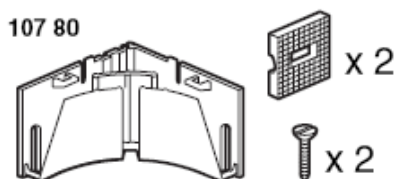
5. ACCESSORIES

5.1 For wiring VDI ref. 10780/81/82/83

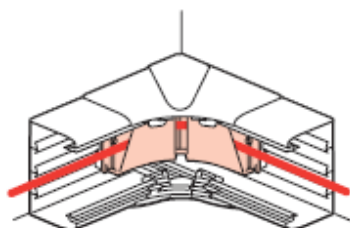
Come in complement of the element from standard advance.
Fix themselves in any evolutionary chute (except for the 35x80 in
which one cannot fix the accessory and in the compartments using a
cover 40)

References	Section mm ²	Diameter maxi
10780	580	17
10781	580	17
10782	1120	3x17
10783	490	2x13.5

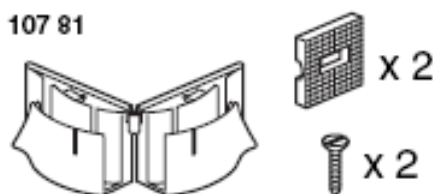
10780: Accessory for internal angle



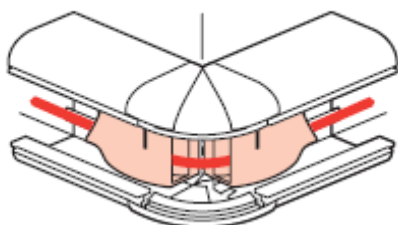
Delivered with supports for fixing on the bottom of the trunking (on
the "T") and 2 screws



10781: Accessory for external angle



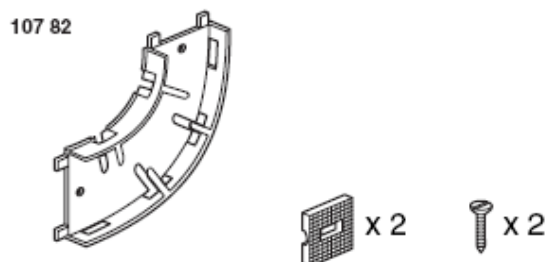
Delivered with supports for fixing on the bottom of the trunking (on
the "T") and 2 screws



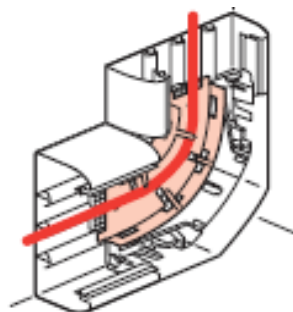
5. ACCESSORIES (continued)

5.2 For wiring VDI ref. 10780/81/82/83 (continued)

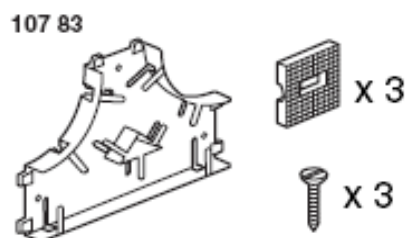
10782: Accessory for flat angle



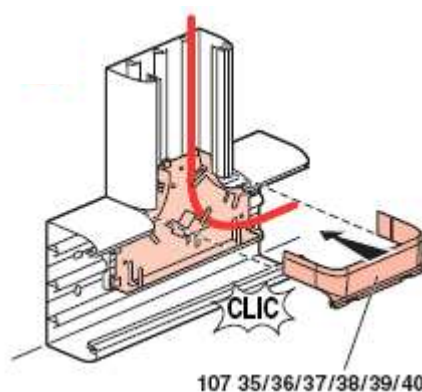
Delivered with supports for fixing on the bottom of the trunking (on
the "T") and 2 screws



10783: Accessory for flat junction



Delivered with supports for fixing on the bottom of the trunking (on
the "T") and 3 screws



DLP Contour Trunking Profiles and accessories

Number(s) : 010606/07/35/36/82/95, 010703/07/80/81/82/83/89/93,
030897/99, 6204 44/47/54/55/58, 6206 10/18/29/30/43/44/65/66/67,
6207 10/13/14/45/46/49/54/56/57/59/60, 6208 16/17/26/27/38/39,
6208 43/45/46/47/48

5. ACCESSORIES (continued)

5.3 Clip ref. 10682



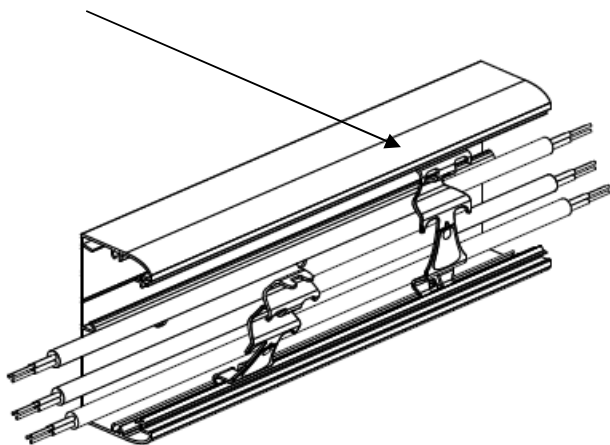
Allows:

- to retain the cables inside the trunking
- Assembly of the clip by clips inside the body of the trunking

References	Pack by	Use with cover
10682	50	40 & 85mm

Grey Colour.

The clip maintains the cables in the trunking at the end of the installation



The clip is fixed on the chute making it possible to retain the cables under installation

5. ACCESSORIES (continued)

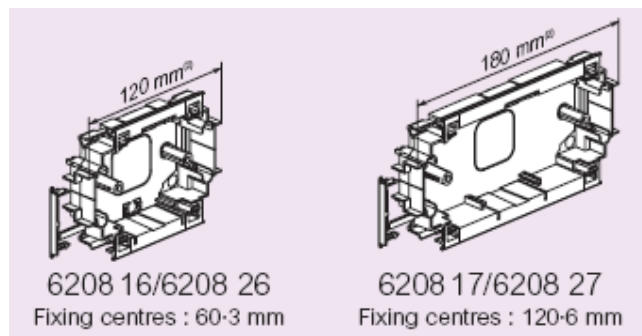
5.4. back boxes ref. 6208 16/17/26/27

Using back boxes to complete your installation with Mosaic, Artèor or Synergy wiring devices.

Back boxes

Moulded back boxes

5	6208 16		1 gang - 25 mm deep
5	6208 26		1 gang - 35 mm deep
5	6208 17		2 gang - 25 mm deep
5	6208 27		2 gang - 35 mm deep
5	6208 29		Back box cable grip



6208 16/6208 26
Fixing centres : 60.3 mm

6208 17/6208 27
Fixing centres : 120.6 mm

DLP Contour Trunking Profiles and accessories

Number(s) : 010606/07/35/36/82/95, 010703/07/80/81/82/83/89/93, 030897/99, 6204 44/47/54/55/58, 6206 10/18/29/30/43/44/65/66/67, 6207 10/13/14/45/46/49/54/56/57/59/60, 6208 16/17/26/27/38/39, 6208 43/45/46/47/48

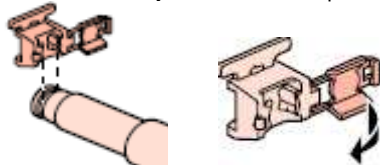
5. ACCESSORIES (continued)

5.5. Spit end cap ref.10695.

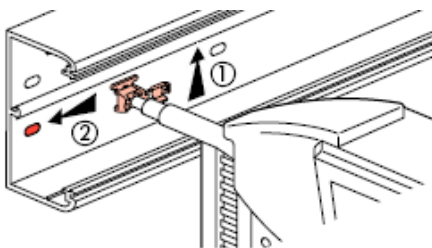
For rapid fixing of the trunking with the Spit Pulsa 700 (use 20mm Spit nails)

The adapter has a shutter making it possible to hide the nail after fixing.

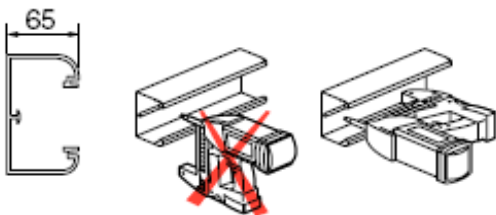
Fixes itself directly on the nose of Spit Pulsa 700.



For a perfect centering of the point, to make slip the adapter to the pastille until blocking.



Attention for fixing in height 65mm, it is necessary to incline the Spit Pulsa.

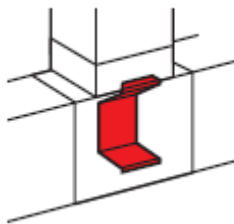


5.6. Fixing accessories for bodies ref.30897/99

		Fixing accessories for bodies	
		For fixing all DLP Contour profiles	
		Wall plugs	
100	0308 99	For immediate fixing to plasterboard No screws or nails required	
		DLP rapid wall plug	
200	0308 97	For 10 mm min. plasterboard walls at least 20 mm away from the concrete surface For fixing DLP Contour trunking in a single operation Used with a special tool for drill (Ø 8 mm), supplied in each pack of 200 wall plugs Tensile resistance: 25 kg	

5. ACCESSORIES (continued)

5.8. Bridge for flat tee ref. 6207 60



Allows complete separation of cables within the tee if cables to cross over

Pack by 5

DLP Contour Trunking Profiles and accessories

Number(s) : 010606/07/35/36/82/95, 010703/07/80/81/82/83/89/93,
030897/99, 6204 44/47/54/55/58, 6206 10/18/29/30/43/44/65/66/67,
6207 10/13/14/45/46/49/54/56/57/59/60, 6208 16/17/26/27/38/39,
6208 43/45/46/47/48

6. TECHNICAL CHARACTERISTICS

■ Cable capacity

195 x 50	150 x 50	195 x 50	150 x 50	195 x 65
6204 55	6204 58	6204 54	6204 44	6204 47

Cable factor

	Type of conductor	Size	Cable factor
Data cables	Cat. 5e UTP	∅ 5.5 mm*	30.2
	Cat. 5e STP	∅ 6.0 mm*	36.0
	Cat. 6 UTP	∅ 6.5 mm*	42.2
	Cat. 6 STP	∅ 7.0 mm*	49.0

*typical values, check with manufacturer

For each size of cable multiply the number to be installed by its own factor. Add together the results for all cable sizes. The resulting sum should be equal or less than the trunking capacity. It is recommended that each compartment should not be filled over 45% of its full capacity

Full capacity (mm³)

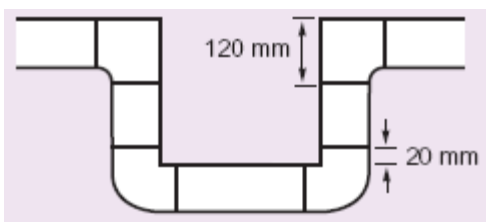
	Empty compartment	With 25 mm back box	With 35 mm back box
a	3 900	2 130	1 510
b	1 690	-	-
c	4 190	2 420	1 800
d	1 690	-	-
e	2 050	-	-
g	3 940	2 170	1 550
h	1 920	-	-
i	5 310	3 540	2 920

Cable capacities are shown in the tables below (number of cables at 45% full)

	Empty compartment				Compartment with 25 mm back box				Compartment with 35 mm back box			
	Cat 5e UTP	Cat 5e STP	Cat 6 UTP	Cat 6 STP	Cat 5e UTP	Cat 5e STP	Cat 6 UTP	Cat 6 STP	Cat 5e UTP	Cat 5e STP	Cat 6 UTP	Cat 6 STP
a	58	48	41	35	31	26	22	19	22	18	16	13
b	25	21	18	15	-	-	-	-	-	-	-	-
c	62	52	44	38	36	30	25	22	26	22	19	16
d	25	21	18	15	-	-	-	-	-	-	-	-
e	30	25	21	18	-	-	-	-	-	-	-	-
g	58	49	42	36	32	27	23	19	23	19	16	14
h	28	24	20	17	-	-	-	-	-	-	-	-
i	79	66	56	48	52	44	37	32	43	36	31	26

Around pillar installation:

When fitting trunking around a pillar it is best to allow sufficient space between internal and external angles to ensure that the flexible lid stays firmly in place.



DLP Contour Trunking Profiles and accessories

Number(s) : 010606/07/35/36/82/95, 010703/07/80/81/82/83/89/93,
030897/99, 6204 44/47/54/55/58, 6206 10/18/29/30/43/44/65/66/67,
6207 10/13/14/45/46/49/54/56/57/59/60, 6208 16/17/26/27/38/39,
6208 43/45/46/47/48

6. TECHNICAL CHARACTERISTICS (continued)

■ PVC-U White RAL 9003 : technical data

Physical

Properties	Unit of measure	Typical value
Density	g/cm ³	1.5 ^{+0.02}
Water absorption	%	0.05

Mechanical

Properties	Unit of measure	Typical value
Tensile strength	N/mm ²	36 ^{+1.4}
Charpy notched impact strength	KJ/m ²	8

Electrical

Properties	Unit of measure	Typical value
Surface resistivity	Ohm cm	>1 x 10 ¹⁵
Dielectric strength	kV/mm	30

Chemical resistance

Mineral acids, alkalines and detergents : excellent

Alcohols : good, but liable to attack from solvents such as keytones, aromatics and hydrocarbons

Material

DLP Contour is manufactured from lead-free⁽¹⁾ PVC-U

■ Standards

Conforms to BS EN 50085-2-1

6-2 According to resistance impact for installation and application	2.0 J
6-3 According to minimum temperatures for storage and transport	-25°C
6-3 According to minimum temperatures for installation and application	-5°C
6-3 According to maximum temperatures for application	+60°C
6-4 According to resistance to flame propagation	Non-flame propagating
6-5 According to electrical continuity characteristic	Without continuity
6-6 According to electrical insulating characteristics	Electrically insulating
6-7 According to degree of protection provided by enclosure	IP 40
6-9 According to system access cover retention	With a tool
6-101 According to position when surface mounted	Surface mounted on wall Surface mounted on ceiling Surface mounted on wall and supported by the floor
6-102 Functions obtained	Type 1
Assigned tension	500 V
Protection against mechanical shock	IK 07

Thermal

Properties	Unit of measure	Typical value
Vicat softening point	°C	81 ^{+1.2}
Operating temperatures	°C	-5°C to +60°C
Coefficient of linear expansion	°K ⁻¹	<6 x 10 ⁻⁵

Flammability

Properties	Unit of measure	Typical value
Oxygen index	%	50 ^{+1.5}
Premixed test flame – 1kW (application 60s/extinction 30s)		PASS
Glow wire test	°C	960