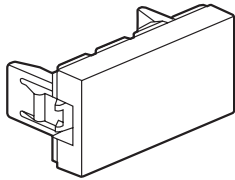
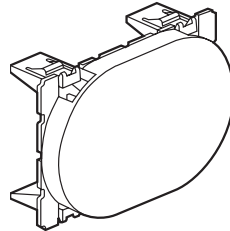


Arteor^T
Blanking plates

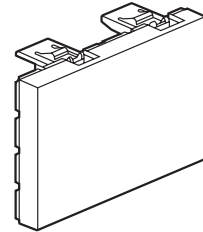
Cat. No(s): 5723 41/42/43 - 5728 41/42/43 - 5730 86/96
5731 86/96



5723 41 - 5728 41



5730 96 - 5731 96



5723 43 - 5728 43

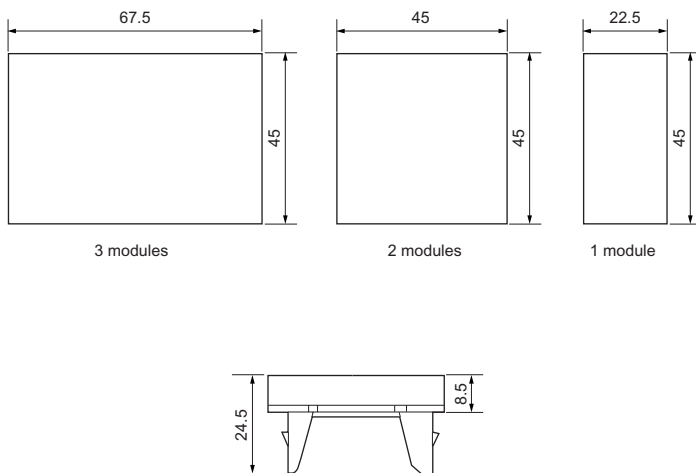
1. USE

Blanking plates.

2. RANGE

	Designation	Finishes.		No. of modules	Fixing method	Weight (g)
		White	Magnesium			
	Blanking plate square	5723 41	5728 41	1	with clips	4.7
	Blanking plate square	5723 42	5728 42	2	with clips	8.3
	Blanking plate round	5730 86	5731 86	2	with clips	7.8
	Blanking plate square)	5723 43	5728 43	3	with clips	12.9
	Blanking plate round	5730 96	5731 96	3	with clips	11.5

3. OVERALL DIMENSIONS



4. TECHNICAL CHARACTERISTICS

4.1 Mechanical characteristics

Impact tests : IK 04

4.2 Material characteristics

Plates : Polycarbonate

4.3 Climatic characteristics

Storage temperatures : - 10°C to + 70°C
Operating temperatures : - 5°C to + 50°C

Blanking plates

5. CLEANING

Surface cleaning with a cloth.

Do not use : acetone, tar remover, trichloroethylene.

5.1 Resistance to cleaning agents

Resistance to the following agents : Hexane (EN 60669-1), Methylated spirits, Soapy water, Diluted ammonia, Diluted pure bleach 10%, Glass cleaning substance, Pre-impregnated wipes.

Caution : A preliminary test should be carried out if other specific cleaning products are to be used.