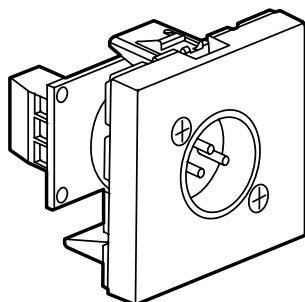
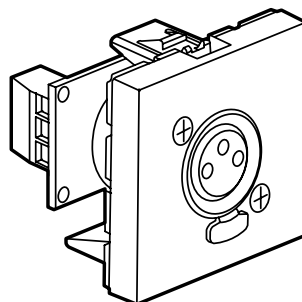


Arteor™
XLR socket

Cat. No(s): **572 277/777**
572 283/783



572 277/777



572 283/783

1. USE

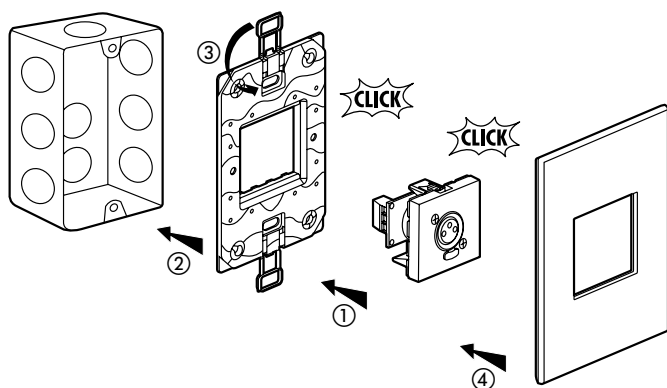
For connecting a microphone or a remote console to an amplifier.
Audio stereo link to any peripheral, amplifier, mixing table, DVD player, camera, VTR, video conference equipment, etc.

2. RANGE

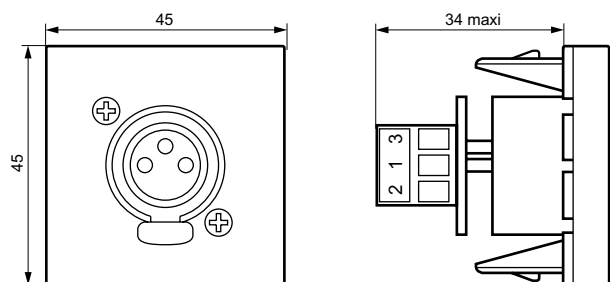
	Designation	Finishes		Number of modules	Fixing method	Connection method	Weight (g)
		White	Magnesium				
	XLR audio socket male	572 277	572 777	2	With clips	With screws	22.3
	XLR audio socket female	572 283	572 783	2	With clips	With screws	24

3. PREPARATION

The mechanisms can be flush-mounted or surface-mounted.



4. OVERALL DIMENSIONS



5. CONNECTION

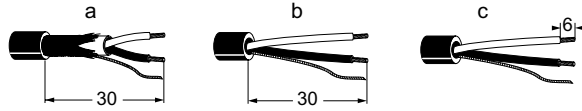
Wide terminal strip taking a 1 mm² conductor max.

Supplied in a bag containing:

- 1 Colring tie
- ferrules to be crimped for conductor < 0.5 mm²
- thermoformable sheaths

Cable bend radius : 35 mm

Stripping



Recommended wire: audio wire 2 x 0.22 mm² to 0.40 mm².

a - Cable unsheathing length: 30 mm.

Recover the drain wire of the cable's general shielding

b - Remove the braid and the aluminium shielding tape

c - Core stripping length : 6 mm.

Wiring

Wide terminal strip taking a 1 mm² conductor max.

Supplied in a bag containing:

- 1 Colring tie
- ferrules to be crimped for conductor < 0.5 mm².

Tools required: flat-blade screwdriver 0.4 x 2.5 mm and flat-nose pliers.

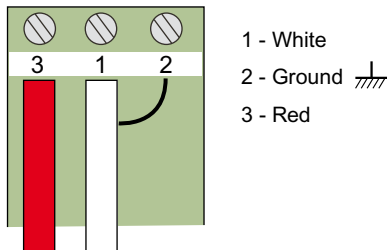
Insulate the drain wire using the neoprene sleeve supplied, thread it into the ferrule supplied and crimp it using the flat-nose pliers.

Thread the cores into the ferrules supplied and crimp them using the flat-nose pliers.

Start by wiring the drain wire, then the cores.

Hold the cable mechanically using the cable clamp supplied.

Follow the cabling instructions below:



6. TECHNICAL CHARACTERISTICS

6.1 Mechanical characteristics

Impact tests: IK 04

Penetration by solid bodies/liquid: IP 40

6.2 Material Characteristics

Base: Polycarbonate

Cover: ABS

Self-extinguishing: 650° C / 30 s

6.3 Climatic characteristics

Storage temperatures: - 10° C to + 70° C

Operating temperatures: - 5° C to + 50° C

7. CLEANING

Surface cleaning with a cloth.

Do not use: acetone, tar remover, trichloroethylene

7.1 Resistance to cleaning agents

Resistance to the following agents:

- Hexane (EN 60669-1),
- Methylated spirits,
- Soapy water,
- Diluted ammonia,
- Diluted pure bleach 10%,
- Glass cleaning substance,
- Pre-impregnated wipes.

7.2 Resistance to hospital-type cleaning agents

Resistance to the following agents:

- Anios,
- Surfanios,
- Bactilisyne,
- Diluted hydrogen peroxide (35%).

Caution: A preliminary test should be carried out if other specific cleaning products are to be used