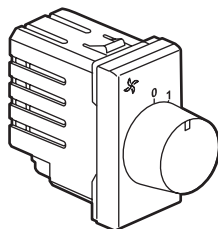
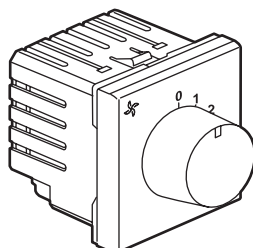


# Arteor™ Fan controller

Cat. No(s): 5722 00/14/15/17/18 - 5727 00/14/15/17/18  
5730 03/69 - 5731 03/69  
5734 16/63/69 - 5736 16/63/69



5722 00 - 5727 00  
5734 16 - 5736 16



5722 14/15 - 5727 14/15  
5730 03/69 - 5731 03/69  
5734 63/69 - 5736 63/69

## CONTENTS

Page

1. Use.....	1
2. Range.....	1-2
3. Preparation.....	2
4. Overall dimensions.....	2
5. Connection.....	2
6. Operation.....	3
7. Technical characteristics.....	3
8. Cleaning.....	3
9. Conformity - Approvals.....	3

## 1. USE

Rotary speed controller for fan.

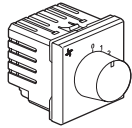
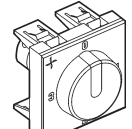
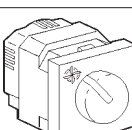
## 2. RANGE

	Designation	Finishes		Number of modules	Connection method	Weight (g)	Characteristics
		White	Magnesium				
	Fan controller square	5722 00	5727 00	1	with screws	24.4	100 W - 240 V
	Fan controller square	5734 16	5736 16	1	with screws	24.4	100 W - 240 V
	Fan controller square	5722 14	5727 14	2	with screws	41.4	100 W - 240 V
	Fan controller square	5734 63	5736 63	2	with screws	41.4	100 W - 240 V
	Fan controller round	5730 03	5731 03	2	with screws	41.4	100 W - 240 V
	Fan controller square	5734 69	5736 69	2	with screws	41.4	120 W - 240 V
	Fan controller round	5730 69	5731 69	2	with screws	41.4	120 W - 240 V

# Arteor™ Fan controller

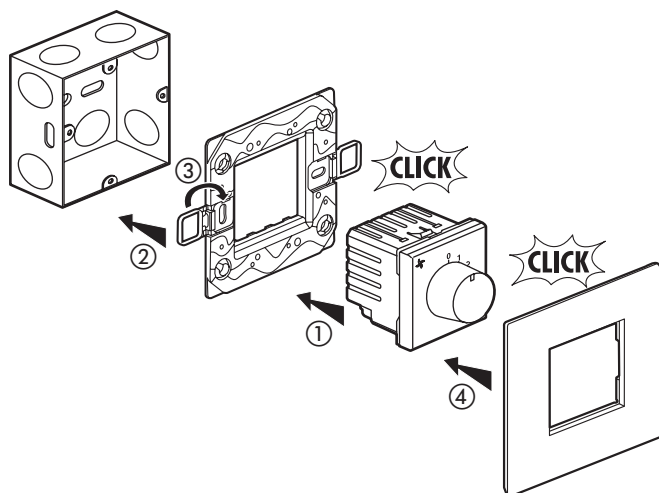
Cat. No(s).: 5722 00/14/15/17/18 - 5727 00/14/15/17/18  
5730 03/69 - 5731 03/69  
5734 16/63/69 - 5736 16/63/69

## 2. RANGE (continued)

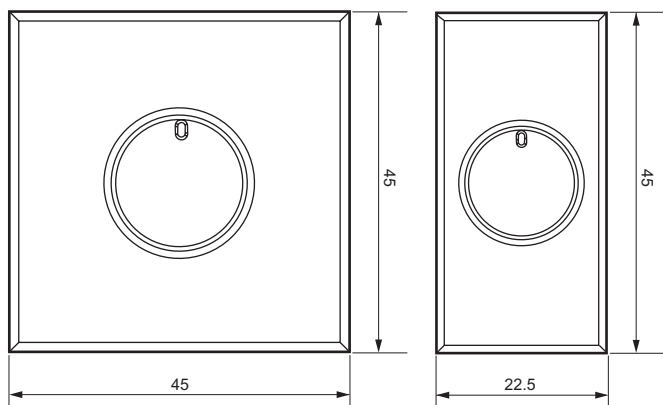
	Designation	Finishes		Number of modules	Connection method	Weight (g)	Characteristics
		White	Magnesium				
	Fan controller for local market square	5722 15	5727 15	2	with screws	41.4	100 W - 240 V
	AC speed controller for fan square	5722 17	5727 17	2	with screws	26.6	10 A - 240 V
	Rotary speed controller for fan square	5722 18	5727 18	2	with screws	58.7	400 VA - 240 V

## 3. PREPARATION

The mechanisms can be flush-mounted or surface-mounted.



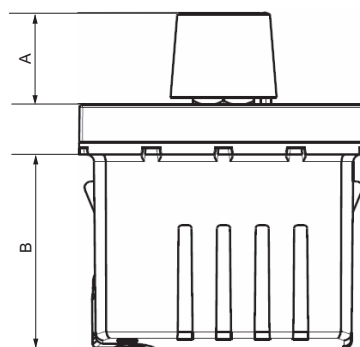
## 4. OVERALL DIMENSIONS



5722 14/15/17/18 - 5727 14/15/17/18  
5730 03/69 - 5731 03/69  
5734 63/69 - 5736 63/69

5722 00 - 5727 00  
5734 16 - 5736 16

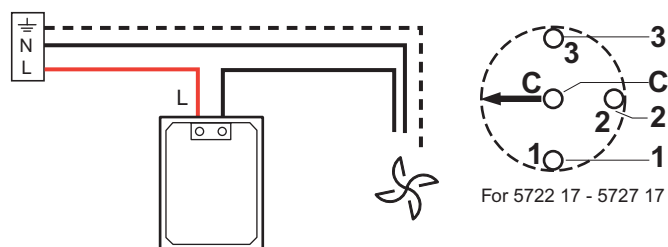
## 4. OVERALL DIMENSIONS (continued)



	A	B
5722 00/14/15	15.6	33.1
5727 00/14/15		
5730 03/69		
5731 03/69		
5734 16/63/69		
5736 16/63/69	9	22
5722 17 - 5727 17		31.6
5722 18 - 5727 18		

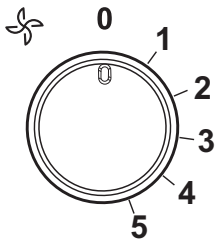
## 5. CONNECTION

Capacity: 2 x 1.5 mm<sup>2</sup> or 1 x 2.5 mm<sup>2</sup>  
Screwdriver: flat-blade 3.5 mm

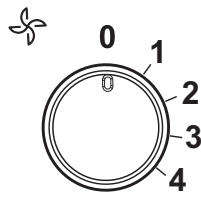


For 5722 17 - 5727 17

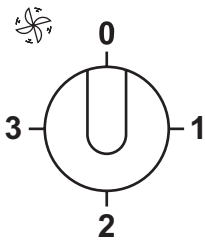
**6. OPERATION**



5722 14/15 - 5727 14/15  
 5730 03/69 - 5731 03/69  
 5734 63/69 - 5736 63/69



5722 00 - 5727 00  
 5734 16 - 5736 16



5722 17 - 5727 17



5722 18 - 5727 18

**7. TECHNICAL CHARACTERISTICS**

**7.1 Material characteristics**

Impact tests: IK 04  
 Protection by solid bodies/liquids: IP 40 (mounted)  
 IP 20 (alone)

**7.2 Material characteristics**

Base: polycarbonate  
 Cover plate: polycarbonate  
 Knob: polycarbonate

**7.3 Electrical characteristics**

Voltage: 240 VAC  
 Frequency: 50/60 Hz  
 Power:



5722 00/14/15	100 W
5727 00/14/15	
5722 17 - 5727 17	10 A
5722 18 - 5727 18	400 VA
5730 03 - 5731 03	100 W
5730 69 - 5731 69	120 W
5734 16 - 5736 16	100 W
5734 63 - 5736 63	
5734 69 - 5736 69	120 W

Self-extinguishing: 650° C / 30 s

**7.4 Climatic characteristics**

Storage temperatures: - 10° C to + 70° C  
 Operating temperatures: - 5° C to + 35° C

**8. CLEANING**

Surface cleaning with a cloth

Do not use: acetone, tar remover, trichloroethylene

Resistance to the following cleaning agents: Hexane (EN-60669-1), Methylated spirits, Soapy water, diluted ammonia, diluted pure bleach 10%, Glass cleaning substance, Pre-impregnated wipes.

**Caution:** A preliminary test should be carried out if other specific cleaning products are to be used

**9. CONFORMITY - APPROVALS**

Approvals in process:

5722 15 - 5727 15: IECEE, PAI, SONCAP, KEN.  
 5730 03/69 - 5731 03/69 - 5734 16/63/69 - 5736 16/63/69: BSI