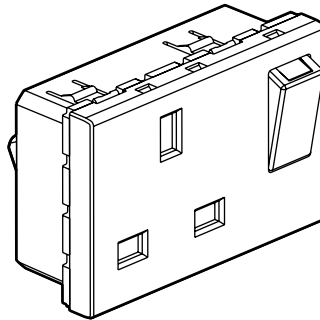


Arteor™ British standard socket outlets

Cat. No(s): 5 721 30 - 5 726 30 - 5 724 67



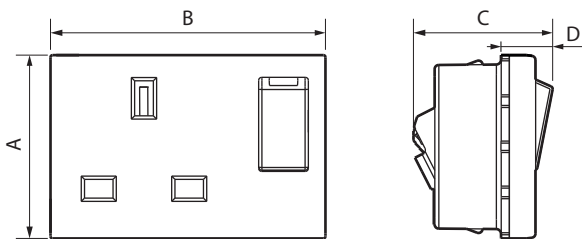
1. USE

2 P+E british standard socket outlets shuttered for child safety.
 Mechanisms supplied with rocker plates, to be equipped with support frames and plates.
 Flush mounting or surface mounting.

2. RANGE

	White	Magnesium	Red
2 P+E socket outlets switched With shutters - 3 modules	5 721 30	5 726 30	-
2 P+E socket outlet switched dedicated non standard pin. With shutters - 3 modules	-	-	5 724 67

3. DIMENSIONS (mm)



A	B	C	D
45	67.5	34	13

4. CONNECTION

Number of terminals: 3 terminals
 Type of terminals: with screws
 Terminal capacity: 3 x 4 mm²
 Striping length: 9 mm
 Screwdriver: cross-head max. 4 mm flat-blade

5. TECHNICAL CHARACTERISTICS

■ 5.1 Mechanical characteristics

Protection against impact: IK 04
 Protection against solid bodies and liquids: IP 40 (mounted)
 IP 20 (alone)

■ 5.2 Material characteristics

Polyglass appearance
 Base: Polycarbonate
 Cover plates: Polycarbonate
 Halogen free
 UV resistant

Self-extinguishing:

+ 850° C / s for insulating parts holding live parts in place
 + 650° C / 30 s for other parts made of insulating materials.

■ 5.3 Electrical characteristics

Voltage: 250 V~
 Current: 13 A
 Frequency: 50/60 Hz

■ 5.4 Climatic characteristics

Storage temperature: - 10° C to + 70° C
 Use temperature: - 5° C to + 35° C

6. MAINTENANCE

Surface cleaning with a cloth.
 Do not use: acetone, tar remover, trichloroethylene.

Maintenance with the following products: Hexane (EN 60669-1), Methylated spirit, Soapy water, Diluted ammonia, Bleach diluted to 10%, Window-cleaning products.

Caution: A preliminary test should be carried out if other specific cleaning products are to be used.

7. STANDARDS AND APPROVALS

Compliance with standards of installation and manufacturing.
 Refer to e. catalogue.