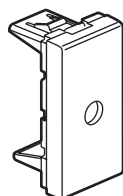
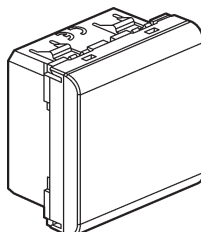


Arteor™ Cable and cord outlets

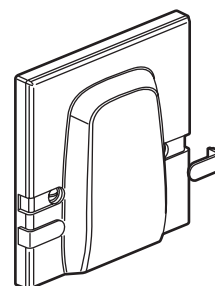
Cat. No(s): 5723 07/19/20/21 - 5734 33/79/80



5723 07 - 5734 33



5723 20



5723 21 - 5734 80

1. USE

Cable outlets and wires for cables of different diameters.

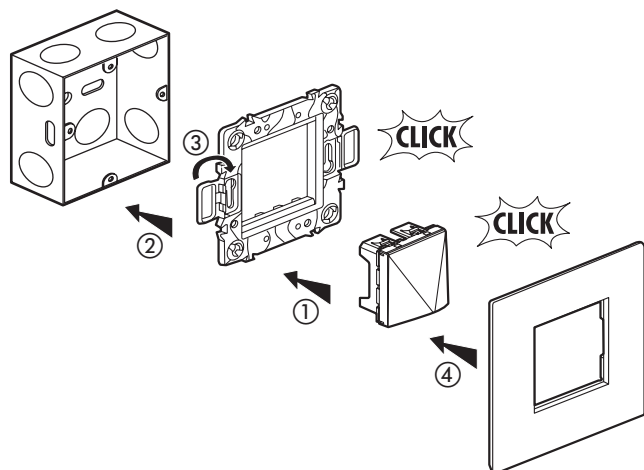
2. RANGE

	Designation	Cat. Nos.	No of modules	Connection method	Weight (g)	Characteristics
	Cord outlet 8 mm	5723 07 5734 33	1		8.7	
	Cord outlet standard	5723 19 5734 79	2		18.2	
	Branching device	5723 20	2	with screws	38.6	20 A - 250 VAC
	Cable outlet	5723 21 5734 80		with screws	165	45 A - 250 VAC

3. PREPARATION

Cat. Nos. 5723 07/19/20 - 5734 33/79:

The mechanisms can be flush-mounted or surface-mounted.

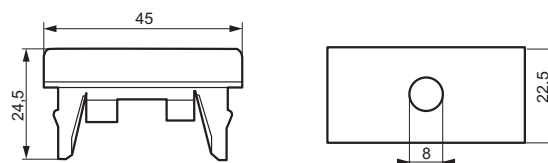


Cat. Nos. 5723 21 - 5734 80:

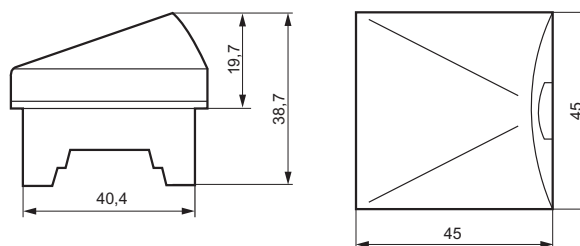
The mechanism is supplied with screws, support and white plate.
Must be mounted into a one gang flush-mounted box only.

4. OVERALL DIMENSIONS

Cat. No. 5723 07 - 5734 33:



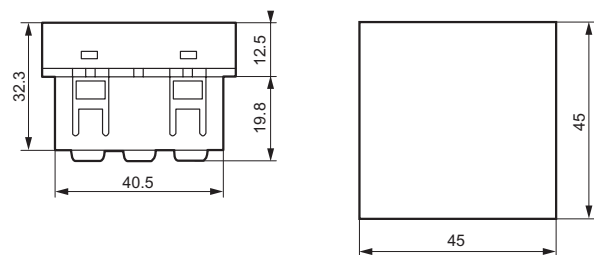
Cat. Nos. 5723 19 - 5734 79:



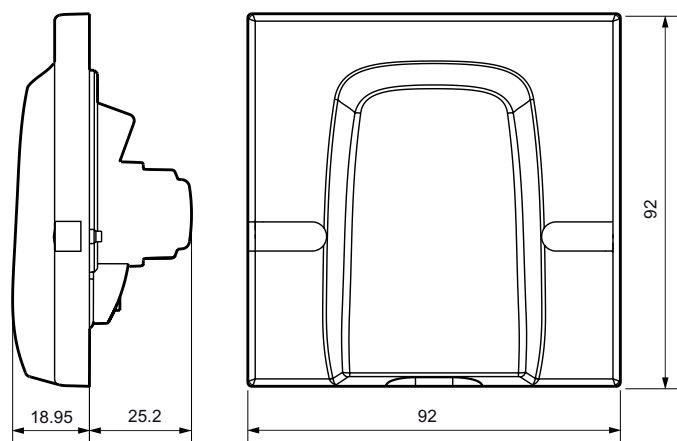
Cable and cord outlets

4. OVERALL DIMENSIONS (continued)

Cat. Nos. 5723 20:



Cat. Nos. 5723 21 - 5734 80:



5. CONNECTION

Max. diameters of cable to be used:

- Cat. No. 5723 07 - 5734 33: 8 mm
- Cat. Nos. 5723 19 - 5734 79: 12.5 mm

Cat. Nos. 5723 20:

Type of connection: with screws
 Stripping length: 12 mm
 Cable cross section: 6 x 2.5 mm²
 Type of screwdriver: Philips No. 1

Cat. Nos. 5723 21 - 5734 80:

Type of connection: with screws
 Stripping length: 13 mm
 Capacity: 4 mm² to 10 mm²
 Type of screwdriver: 4 mm flat-blade

6. OPERATION

Cable outlets are equipped with cable clamps.

7. TECHNICAL CHARACTERISTICS

7.1 Mechanical characteristics

Impact tests: IK 04

7.2 Material characteristics

Cover plate: Polycarbonate (RAL 9003)
 Base: Polycarbonate

7.3 Electrical characteristics

Voltage: 250 VAC
 Current: Cat. Nos. 5723 20 = 20 A
 Cat. Nos. 5723 21 - 5734 80 = 45 A
 Self-extinguishing: 650° C / 30 s.

7.4 Climatic characteristics

Storage temperature: - 10° C to + 70° C
 Operating temperatures: - 5° C to + 50° C

8. CLEANING

Surface cleaning with a cloth

Do not use: acetone, tar remover, trichloroethylene

Resistance to the following cleaning agents: Hexane (EN-60669-1),
 Methylated spirits, Soapy water, diluted ammonia, diluted pure bleach
 10%, Glass cleaning substance, Pre-impregnated wipes.

Caution: A preliminary test should be carried out if other specific cleaning products are to be used.

9. CONFORMITY - APPROVALS

Approvals in process:

	IECEE	PAI	SABS	SONCAP	KEN	SASO	ASTA
5723 07	x	x	x	x	x		
5723 19	x	x	x	x	x		
5723 20	x	x	x	x	x	x	
5723 21	x	x				x	x