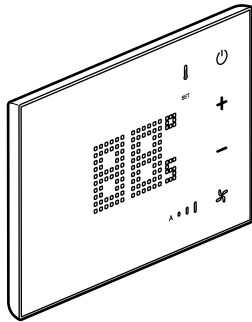


Thermostat BUS/SCS

Cat. No(s): 0 487 73/83
 FL4654/54W/64



CONTENTS Page

1. Description	1
2. Technical characteristics	1
3. Standards, certifications and markings	1
4. Dimensions	1
5. Connection diagrams	2
6. Installation	2
7. Configured version Cat. No. 0 487 83/FL4664	3

1. DESCRIPTION

The thermostat is dedicated to hotels and is equally suitable for heating and/or air-conditioning installations. It can be used to display and set the reference temperature, fan speed, and switch ON with thermal overload protection.

The screen displays the measured ambient temperature or the reference temperature.

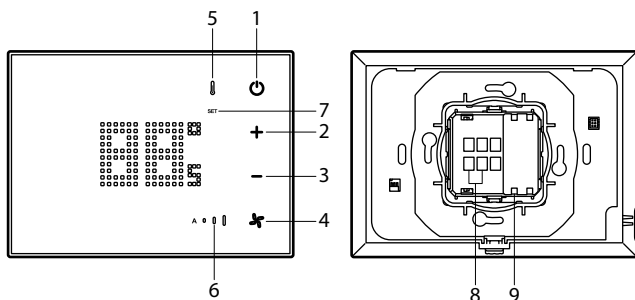
It has a proximity sensor which can be disabled by configuration: when the device detects an approach, it switches from standby state to active state. The LED brightness level (on standby or active) and the time delay before returning to standby state can also be set by configuration.

The control & management software is used to view and control the thermostat. Configuration is possible with the MyHotel_Suite software on SCS installations which include the MH201 device, or with the Hotel Room Controller Software on IP installations which include the 0 484 08 or 0 484 12 device.

The thermostat must be installed on a wall at a height of approximately 150 cm above the floor, unless otherwise specified by the applicable standards.

Front view

Rear view



Key

1. MODE button: pressing briefly changes from normal mode (ON) to protection mode (frost guard or thermal overload). A longer press changes the function (heating/air conditioning/automatic) according to the configuration.
2. + button: increases the reference value
3. - button: decreases the reference value
4. FAN button: sets the fan speed (3 levels + automatic)
5. Heating enabled indicator (red) Air conditioning enabled indicator (blue)
6. Fan speed indicator (3 levels) + automatic
7. Measured temperature (SET off) or reference temperature (SET on) indicator
8. Local contact
9. Connection to the BUS

2. TECHNICAL CHARACTERISTICS

BUS/SCS power supply:	18-27 VDC
Consumption with screen off:	8 mA
Consumption with ultra-bright screen:	25 mA
Operating temperature:	0°C to +40°C
Storage temperature:	-20°C to +70°C
Unit of measurement:	°C or °F
Loads controllable by an actuator:	On/Off, Open/Close, 3-way or 0-10 V valves Fan coil unit with 2 or 4 tubes with On/Off, 3-way or 0-10 V valves Fan coil unit with 2 and 4 tubes with 0-10 V valve and 0-10 V speed control Radiators (ON/OFF) Centralised air-conditioning system IP gateway
Protection index:	IP 20, IK 04
Plate and surround colour (standard):	Black Cat. No. 0 487 73/FL4654 or White Cat. No. FL4654W

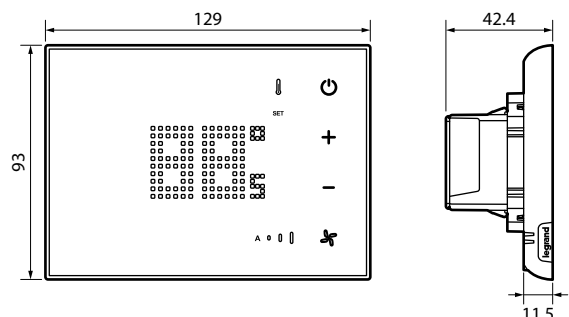
DEFAULT VALUES

	Heating	Air conditioning
Setting interval	3-40°C	3-40°C
Comfort	21°C	25°C
Economy	18°C	28°C
Frost guard	7°C	
Thermal overload		35°C

3. STANDARDS, CERTIFICATIONS AND MARKINGS

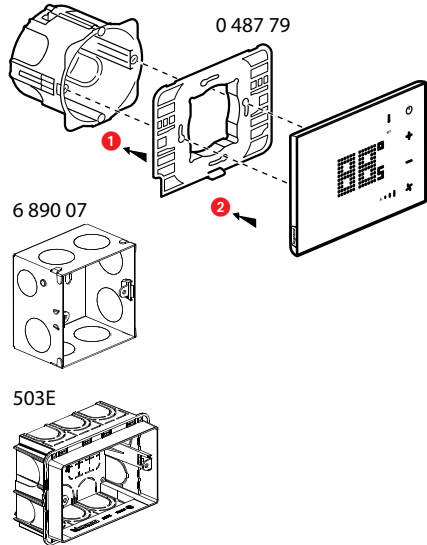
EN 60669-2-5
 CE marked

4. DIMENSIONS

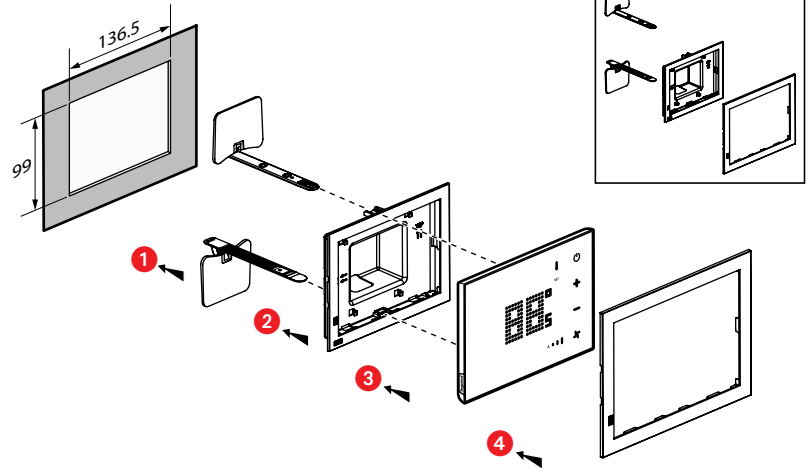


6. INSTALLATION

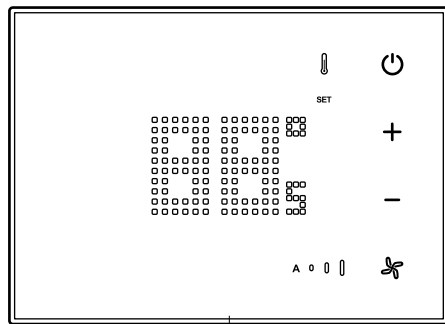
Surface-mounted with flush-mounting boxes
0 800 41



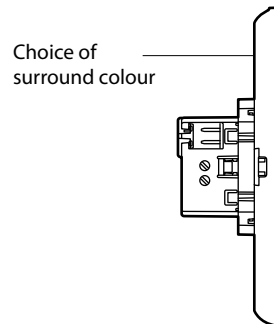
Flush-mounted with accessory Cat. No. 0 487 88



7. CONFIGURED VERSION CAT. NO. 0 487 83/FL4664



Choice of plate colour



Choice of
surround colour

Options (predefined position):
- Hotel logo
- Flush-mounted version

The configurator is available on the following website: www.uxforupscalehotel.legrand.com.