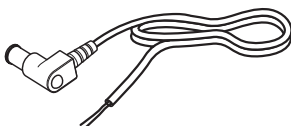
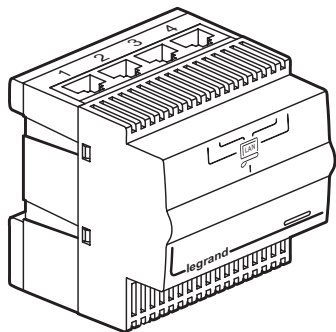


Gigabit 5-port switch

Catalogue number(s): 4 130 09

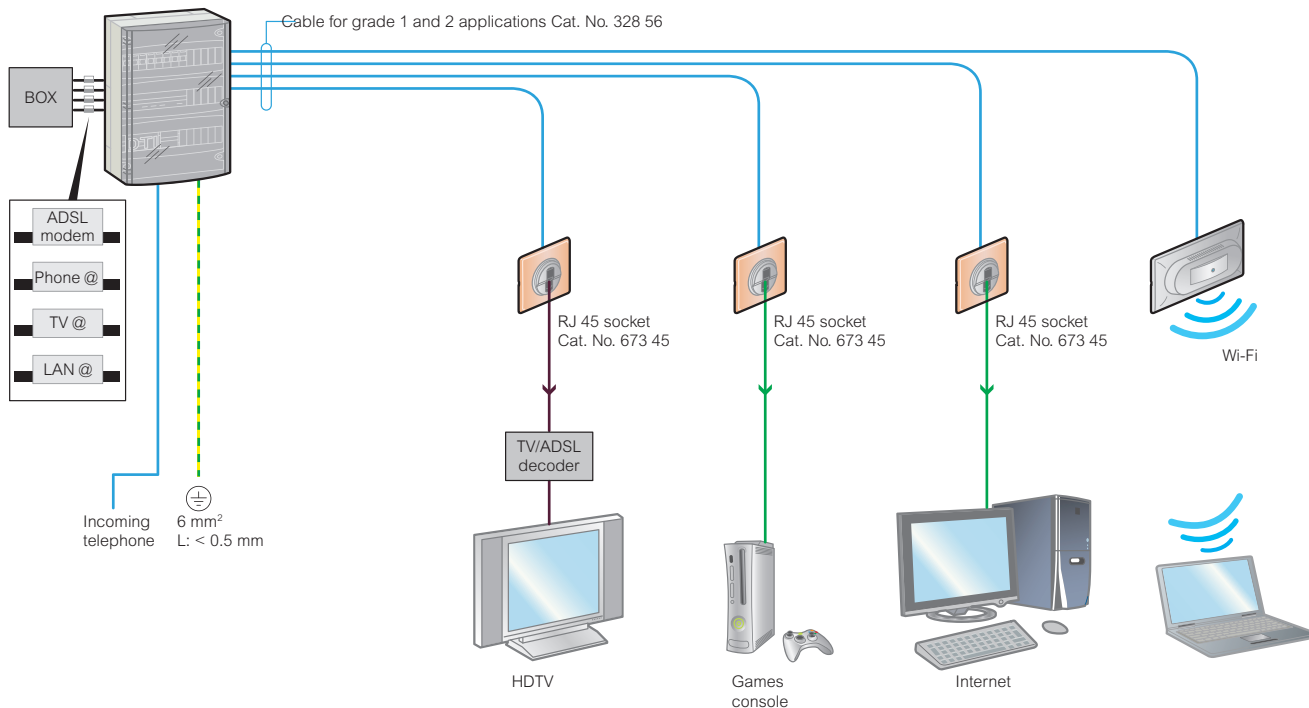


CONTENTS	Page
1. Introduction.....	1
2. Selection chart.....	1
3. Overall dimensions.....	1
4. Setup.....	2
5. Technical features.....	2
6. Standards.....	2
7. Certifications.....	2

1. INTRODUCTION

Equipment for data networking

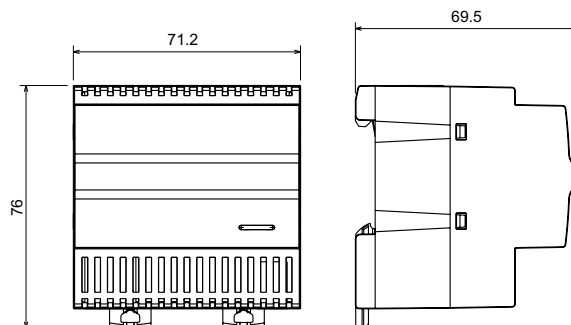
- Switch with 4+1 RJ45 outputs
- Network output with status indicator (LEDs)
- Supplied with 9 V
- 4 modules
- Gigabit Ethernet



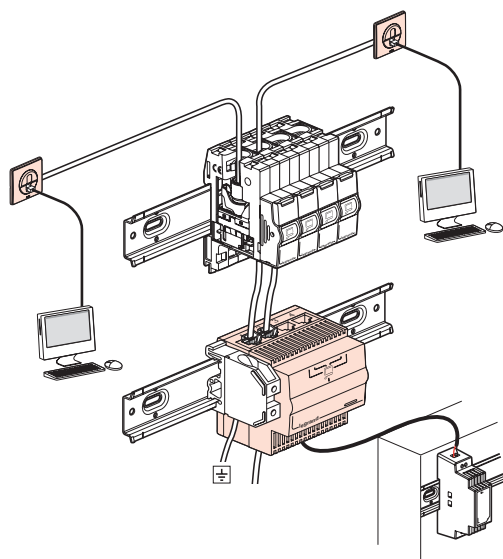
2. SELECTION CHART

Description	Cat. No.	No. of modules	Weight (g)
Gigabit 5-port switch	4 130 09	4	113

3. OVERALL DIMENSIONS



4. SETUP



5. TECHNICAL FEATURES

5.1 Main features

- RoHS compliant
- Solution for the home/SOHO
- 3 speeds on all 5 ports: 10/100/1000 Mbps
- Genuine Plug & Play installation
- Auto crossover for all ports
- Auto negotiation for all ports
- Automatic updating of MAC addresses
- Product can be used in various environments
- Full/half-duplex for Ethernet/Fast Ethernet speeds
- Jumbo frame up to 10 Kbytes
- RAM: 1 Mbit
- MAC address: 1 K
- Saving and retransmission

5.2 LEDs

- On: green LED
- No LEDs on the port outputs to save energy

5.3 Mechanical characteristics

Plastic casing: PC RAL 7035
IP 20 - IK 04
Tensile resistance on DIN rail: 100 N

5.4 Electrical features

10/100/1000 Mbps autonegotiation Ethernet switch
HALF/FULL DUPLEX
Supports auto MDI/MDIX
Power supply: 490 mA at 9 VDC
Consumption at 220 VAC:
5.98 W
Cos Φ : 0.44

5.5 Climatic features

Usage temperature: - 5°C to + 50°C
Storage temperature: - 25°C to + 70°C

6. STANDARDS

IEEE802.3 10base-t Ethernet
IEEE802.3u 100base TX Fast Ethernet
IEEE802.3ab 1000base T Gigabit Ethernet
IEEE802.1X flow control
IEEE22.2.4.1.5 power down compliance to save energy

7. CERTIFICATIONS

RoHS directive
CE marking
SELV marking