

# AVR320

LED | TC



AVR320 luminaire range is equipped with new type of innovative technical features. Easy to install. Many different motion sensor versions, in some of which the sensor's control signal is transferable wirelessly between luminaires.

## Move!

Ensto Luminaires and movement detection is a base for many Smart Solutions but operate perfectly as a standalone versions as well. Ensto Move!-luminaires use PIR or Radar technique, depending on your projects and demand.

## RF

Radio Frequency (RF) enables luminaires to be wirelessly connected to each other. When RF luminaire is detecting movement it will light up the group ahead of it and one behind. RF makes lighting more secure and you'll never enter a dark place.

## SmartWay

Ensto SmartWay is a self-learning, wirelessly networked and future proof control system. SmartWay luminaires listen and learn by themselves and from each other to make sure that there is always light on your way. Plug'n play, no programming or commissioning needed.



"World class technology and quality of light, wide range of possibilities."



AVR320 + AVL45



AVR320 + AVL46



### Structure

- › Diffuser opal polycarbonate
- › Body polycarbonate
- › Circular TC/S lamps are not included in the delivery. Other models light sources, colour temperature 830 included. AVR320.1 luminaire 15W-E27/827 included.
- › LED-models:  
connected load  
10W, luminaire luminous flux 1047 lm (3000 K), 1082 lm (4000 K),  
14W, luminaire luminous flux 1466 lm (3000 K), 1514 lm (4000 K),  
3000/4000 K, Ra > 80, power factor 0,97  
Ambient temperature - 20 °C - + 25 °C  
LED-module lifespan 70 000 h (L70), T<sub>a</sub>=25 °C

### Control

- › AVR320 PIR-type of luminaires are sensor luminaires equipped with infra-red motion sensor (PIR) in which are settings for time (1-30 min.), sensitivity and twilight switch function. Some versions of PIR sensor luminaires are available also with wireless radio frequency control signal between the luminaires.
- › AVR320 RADAR-type of luminaires are sensor luminaires equipped with high-frequency radar to detect motion (Radar) in which are settings for time (1-30 min.), sensitivity and twilight switch function
- › 1-10V
- › DALI
- › Switch-control

### Mounting

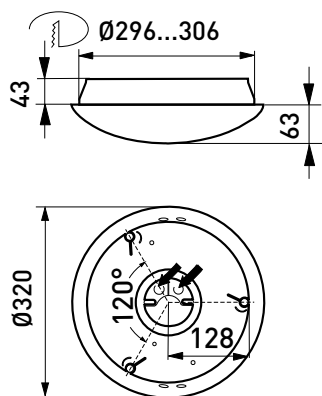
- › To the ceiling and to the wall or partly recessed
- › Recess depth 43 mm, recess hole ø 306 mm, diffuser diameter ø 320 mm
- › Snap-in terminal block 3x2,5 mm<sup>2</sup> with through wiring, PIR-/RADAR-models -o- 4/5x2,5 mm<sup>2</sup>
- › Sensor luminaire models see more accurate information at WEB-site
- PIR-models:  
To the ceiling max. 4 meters height  
To the wall max. 2,7 meters height
- RADAR-models:  
To the ceiling max. 3,5 meters height  
To the wall 1,7- 2,7 meters height
- Suitable for stand-alone and master-slave installation  
Maximum load behind one master is 400VA, however max. 5 luminaires in the same control group  
Slave luminaires from the Ensto basic luminaire range

E number	Type	Product name	Base	Kg	Luminous flux	Additional information
<b>AVR320 LED luminaire with electronic control gear</b>						
42 601 75	AVR320.110L	AVR320 IP44 LED 10W/840 E PC O	LED	1,3	1082 lm	
42 602 03	AVR320.110L/3K	AVR320 IP44 LED 10W/830 E PC O	LED	1,3	1047 lm	
42 602 52	AVR320.114L	AVR320 IP44 LED14W/840 E	LED	1,2	1514 lm	
42 289 07	AVR320.114L/3K	AVR320 IP44 LED14W/830 E	LED	1,2	1466 lm	
<b>AVR320 LED with 1-10V dimmable electronic control gear</b>						
42 601 90	AVR320.110DL	AVR320 IP44 LED 10W/840 D PC O	LED	1,3	1082 lm	1-10V
42 602 11	AVR320.110DL/3K	AVR320 IP44 LED 10W/830 D PC O	LED	1,3	1047 lm	1-10V
42 289 00	AVR320.114DL	AVR320 IP44 LED14W/840 D	LED	1,2	1514 lm	1-10V
42 289 10	AVR320.114DL/3K	AVR320 IP44 LED14W/830 D	LED	1,2	1466 lm	1-10V
<b>AVR320 LED with 1-10V dimmable electronic control gear and a relay for controlling the 5%/100% light levels through a separate 230V power supply</b>						
42 289 01	AVR320.114DLR	AVR320 IP44 LED14W/840 D RELAY	LED	1,3	1514 lm	base light
42 289 11	AVR320.114DLR/3K	AVR320 IP44 LED14W/830 D RELAY	LED	1,3	1466 lm	base light
<b>AVR320 LED PIR sensor luminaires with electronic control gear</b>						
42 601 78	AVR320.1104L	AVR320 IP44 LED 10W/840 E PC O PIR	LED	1,4	1082 lm	
42 602 06	AVR320.1104L/3K	AVR320 IP44 LED 10W/830 E PC O PIR	LED	1,4	1047 lm	
42 602 53	AVR320.1144L	AVR320 IP44 LED14W/840 EPIR	LED	1,2	1514 lm	
42 289 08	AVR320.1144L/3K	AVR320 IP44 LED14W/830 EPIR	LED	1,2	1466 lm	

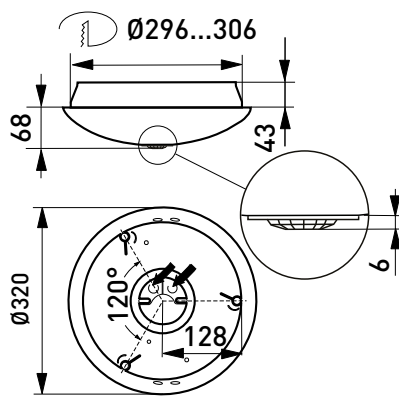


E number	Type	Product name	Base	Kg	Luminous flux	Additional information
<b>AVR320 LED radar sensor luminaires with electronic control gear</b>						
42 601 81	AVR320.1109L	AVR320 IP44 LED 10W/840 E PC O RAD	LED	1,4	1082 lm	
42 602 09	AVR320.1109L/3K	AVR320 IP44 LED 10W/830 E PC O RAD	LED	1,4	1047 lm	
42 602 55	AVR320.1149L	AVR320 IP44 LED14W/840 ERAD	LED	1,5	1514 lm	
42 289 09	AVR320.1149L/3K	AVR320 IP44 LED14W/830 ERAD	LED	1,5	1466 lm	
<b>AVR320 LED PIR sensor luminaires with 1-10V dimmable electronic control gear. Base light level 5% and PIR controlled light level 100%</b>						
42 601 96	AVR320.1106DL	AVR320 IP44 LED 10W/840 D PC O PIR	LED	1,4	1082 lm	motion sensor/base light
42 602 41	AVR320.1106DL/3K	AVR320 IP44 LED 10W/830 D PC O PIR	LED	1,4	1047 lm	motion sensor/base light
42 289 03	AVR320.1146DL	AVR320 IP44 LED14W/840 DPIR6	LED	1,5	1514 lm	motion sensor/base light
42 289 13	AVR320.1146DL/3K	AVR320 IP44 LED14W/830 DPIR6	LED	1,5	1466 lm	motion sensor/base light
<b>AVR320 LED PIR sensor luminaires with 1-10V dimmable electronic control gear. Basic light level 5% or 20% and PIR controlled light level 80% or 100%</b>						
42 601 93	AVR320.1105DL	AVR320 IP44 LED 10W/840 D PC O PIR	LED	1,4	1082 lm	motion sensor/base light
42 602 34	AVR320.1105DL/3K	AVR320 IP44 LED 10W/830 D PC O PIR	LED	1,4	1047 lm	motion sensor/base light
42 289 02	AVR320.1145DL	AVR320 IP44 LED14W/840 DPIR5	LED	1,2	1514 lm	motion sensor/controlled base light + on/off
42 289 12	AVR320.1145DL/3K	AVR320 IP44 LED14W/830 DPIR5	LED	1,5	1466 lm	motion sensor/controlled base light + on/off
<b>AVR320 LED radar sensor luminaires with 1-10V dimmable electronic control gear. Base light level 5% and radar controlled light level 100%</b>						
42 601 99	AVR320.1109DL	AVR320 IP44 LED 10W/840 D PC O RAD	LED	1,4	1082 lm	motion sensor/base light
42 602 43	AVR320.1109DL/3K	AVR320 IP44 LED 10W/830 D PC O RAD	LED	1,4	1047 lm	motion sensor/base light
42 289 04	AVR320.1149DL	AVR320 IP44 LED14W/840 DRAD	LED	1,5	1514 lm	motion sensor/base light
42 289 14	AVR320.1149DL/3K	AVR320 IP44 LED14W/830 DRAD	LED	1,5	1466 lm	motion sensor/base light
<b>AVR320 LED PIR SmartWay sensor luminaire</b>						
41 034 07	AVR320.1107L/AA	AVR320 IP44 LED10W/840 PIR AA	LED	1,4	1082 lm	
41 034 01	AVR320.1107L/3K/AA	AVR320 IP44 LED10W/830 PIR AA	LED	1,4	1047 lm	
41 034 10	AVR320.1147L/AA	AVR320 IP44 LED14W/840 PIR AA	LED	1,4	1514 lm	
41 034 09	AVR320.1147L/3K/AA	AVR320 IP44 LED14W/830 PIR AA	LED	1,4	1466 lm	
<b>AVR320 LED PIR sensor luminaires with RF sender</b>						
41 180 20	AVR320.1144L/RF	AVR320 IP44 LED14W/840 PIR RF	LED	1,5	1514 lm	Master, on/off
41 180 19	AVR320.1144L/3K/RF	AVR320 IP44 LED14W/830 PIR RF	LED	1,5	1466 lm	Master, on/off
<b>AVR320 LED luminaires with RF receiver (slave models)</b>						
41 180 18	AVR320.114L/RF	AVR320 IP44 LED14W/840 RF	LED	1,3	1514 lm	Slave
41 180 25	AVR320.114L/3K/RF	AVR320 IP44 LED14W/830 RF	LED	1,3	1466 lm	Slave
<b>AVR320 LED PIR sensor luminaires with 1-10V dimmable control gear and RF sender. Basic light level 5% and PIR controlled light level 100%</b>						
41 180 22	AVR320.1146DL/RF	AVR320 IP44 14W/840 DPIR6 RF	LED	1,5	1514 lm	Master, base light
41 180 21	AVR320.1146DL/3K/RF	AVR320 IP44 14W/830 DPIR6 RF	LED	1,5	1466 lm	Master, base light
<b>AVR320 LED with 1-10V dimmable control gear, RF receiver and relay for controlling the 5%/100% light levels</b>						
41 180 24	AVR320.114DLR/RF	AVR320 IP44 14W/840 DRELAY RF	LED	1,3	1514 lm	Slave, base light
41 180 23	AVR320.114DLR/3K/RF	AVR320 IP44 14W/830 DRELAY RF	LED	1,3	1466 lm	Slave, base light
<b>AVR320 LED DALI luminaire with switch dim control gear</b>						
42 602 02	AVR320.110DDL	AVR320 IP44 LED 10W/840 DALI PC O	LED	1,3	1082 lm	DALI, Switch dim
42 602 49	AVR320.110DDL/3K	AVR320 IP44 LED 10W/830 DALI PC O	LED	1,3	1047 lm	DALI, Switch dim
42 289 06	AVR320.114DDL	AVR320 IP44 LED14W/840 DA	LED	1,2	1514 lm	DALI, Switch dim
42 289 15	AVR320.114DDL/3K	AVR320 IP44 LED14W/830 DA	LED	1,2	1466 lm	DALI, Switch dim
<b>AVR320 LED luminaire with 1 hour battery back-up</b>						
42 601 87	AVR320.110L/1M	AVR320/1M IP44 LED 10W/840 E PC O	LED	1,6	1082 lm	
42 602 95	AVR320.114L/1M	AVR320 IP44 LED14W/840 E1M	LED	1,4	1047 lm	
42 602 00	AVR320.1105DL/1M	AVR320/1M IP44 LED 10W/840 D PC O P	LED	1,6	1514 lm	
42 289 05	AVR320.1145DL/1M	AVR320 IP44 LED14W/840 DPIR51M	LED	1,5	1466 lm	motion sensor/controlled base light + on/off
<b>AVR320 luminaire for E27 compact fluorescent lamps. AVR320.1 include 15W/E27 compact fluorescent lamp</b>						
41 178 22	AVR320.1	1x23W max /TC-DSE/E27 230V 50Hz, 3x2,5mm <sup>2</sup>	E27	1,0		

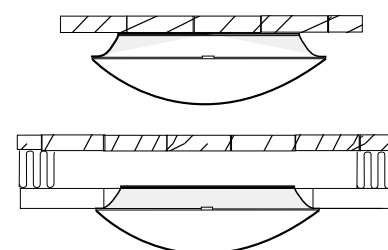
E number	Type	Product name	Base	Kg	Luminous flux	Additional information
<b>AVR320 luminaires with electronic control gear</b>						
41 178 25	AVR320.126E	1x26W TC-DE/G24q-3 220-240V 0/50-60Hz	G24q-3	1,2		
41 178 33	AVR320.128E	1x28W TC-DD/GR10q 220-240V 0/50-60Hz	GR10q	1,1		
41 174 94	AVR320.213E	AVR320 IP44 2xTC-DE 13W E PC	G24q-1	1,1		
41 178 26	AVR320.218E	2x18W TC-DE/G24q-2 220-240V 0/50-60Hz	G24q-2	1,3		
42 178 05	AVR320.218/18E	18+18W TC-DE/G24q-2 220-240V 0/50-60Hz	G24q-2	1,3		
<b>AVR320 PIR sensor luminaires with electronic control gear</b>						
41 174 95	AVR320.2134E	AVR320 IP44 2xTC-DE 13W E PIR	G24q-1	1,3		
41 171 66	AVR320.218/94E	9W TC-E/2G7+18W TC-DE/G24q-2 220-240V 50-60Hz	G24q-2	1,3		
41 178 27	AVR320.2184E	2x18W TC-DE/G24q-2 220-240V 50-60Hz	G24q-2	1,3		
<b>AVR320 radar sensor luminaires with electronic control gear</b>						
42 170 08	AVR320.2139E	AVR320 IP44 2xTC-DE13W E PC O RADAR	G24q-2	1,3		
42 170 11	AVR320.2189E	AVR320 IP44 2xTC-DE18W E PC O RADAR	G24q-2	1,3		
<b>AVR320 PIR with electronic control gear and a relay for controlling the On/Off light levels also through a separate 230V power supply</b>						
41 174 75	AVR320.2184ER	2x18W TC-DE/G24q-2 230V 50Hz	G24q-2	1,3		
<b>AVR320 PIR sensor luminaires with 1-10V dimmable electronic control gear. Base light level 5% and PIR controlled light level 100%.</b>						
41 178 30	AVR320.2186D	2x18W TC-DE/G24q-2 220-240V 50-60Hz	G24q-2	1,4		
<b>AVR320 PIR sensor luminaires with 1-10V dimmable electronic control gear. Base light level 5% or 20% and PIR controlled light level 80% or 100%.</b>						
42 178 93	AVR320.2185D	AVR320.2185D IP44 2xTC-DE18W D PC O	G24q-2	1,4		
<b>AVR320 radar sensor luminaires with 1-10V dimmable electronic control gear. Base light level 5% and radar controlled light level 100%</b>						
42 170 10	AVR320.2189D	AVR320 IP44 2xTC-DE18W D PC O RADAR	G24q-2	1,4		
<b>AVR320 decorative frames polycarbonate</b>						
41 176 81	AVL58					white
<b>AVR320 decorative frames power coated aluminium</b>						
41 178 70	AVL45					white
41 178 72	AVL45.2					antique-silver
41 178 73	AVL45.3					steel
<b>AVR320320 anti-glare frames galvanized powder coated steel</b>						
41 176 72	AVL46					white
41 176 73	AVL46.2					antique-silver
41 176 74	AVL46.3					steel
<b>AVR320 square frames galvanized powder coated steel</b>						
41 176 75	AVL47					white
41 176 76	AVL47.3					steel
<b>AVR320 square anti-glare frames galvanized powder coated steel</b>						
41 176 77	AVL49					white
41 176 78	AVL49.3					steel



AVR320



AVR320 PIR sensor luminaire



AVR320 Ø296...306

Installation picture