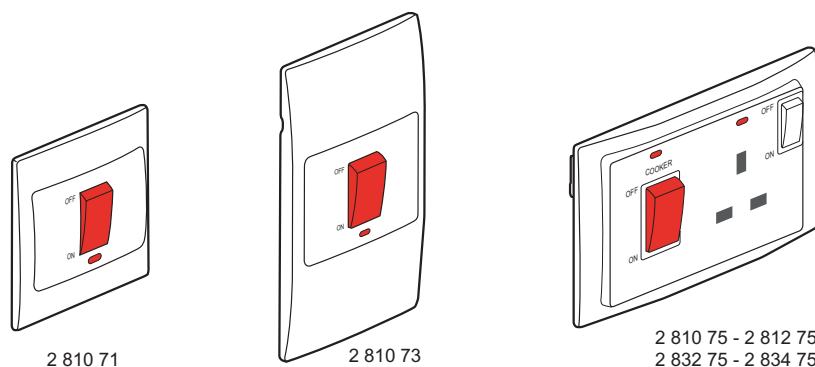


Mallia™
45 A DP switches & cooker control complete
white and colour

Cat. No(s): 2 810 70/71/72/73/75
2 812 75 - 2 832 75 - 2 834 75



CONTENTS

Page

1. Use	1
2. Range	1
3. Preparation	2
4. Overall dimensions	2
5. Connection	2-3
6. Operation	3
7. Technical characteristics	2
8. Cleaning	2

1. USE

Double pole high capacity for fixed appliances control. Available with LED "power on" indicator.

2. RANGE

	Designation	Finishes				Connection method	Weight (g)	Characteristics
		White	Silver	Pearl	Dark Silver			
	1 gang 1 way switch with LED indicator	2 810 70	-	-	-	with screws	136	45 A - 250 VAC
	1 gang 1 way switch with LED indicator and red rocker	2 810 71	-	-	-	with screws	136	45 A - 250 VAC
	1 gang 1 way switch with LED indicator and red rocker and cooker marking	2 810 72	-	-	-	with screws	136	45 A - 250 VAC
	2 gang 1 way switch with LED indicator and red rocker	2 810 73	-	-	-	with screws	159	45 A - 250 VAC
	2 gang 45 A switch and 13 A switched socket outlet with red indicator	2 810 75	2 812 75	2 832 75	2 834 75	with screws	232	45 A - 250 VAC

Mallia™
45 A DP switches & cooker control complete
white and colour

Cat. No(s).: 2 810 70/71/72/73/75
 2 812 75 - 2 832 75 - 2 834 75

3. PREPARATION

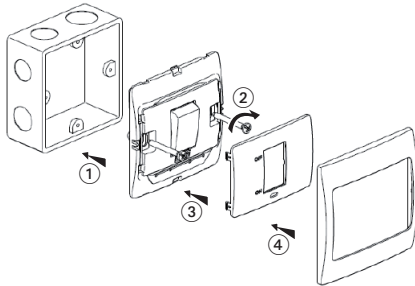
Flush mounting:

- All products supplied with 2 x M 3.5 fixing screws.
- It is recommended that redundant top and bottom fixing lugs in metal back boxes are bent back to increase room for mechanism and their attendant wiring.
- 25 mm minimum depth back boxes.
- 35 mm recommended depth back boxes for extra wiring space.

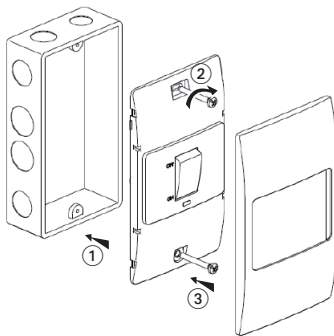
Surface mounting:

- 1 gang 35 mm minimum deep pattress
- 2 gang 35 mm minimum deep pattress.

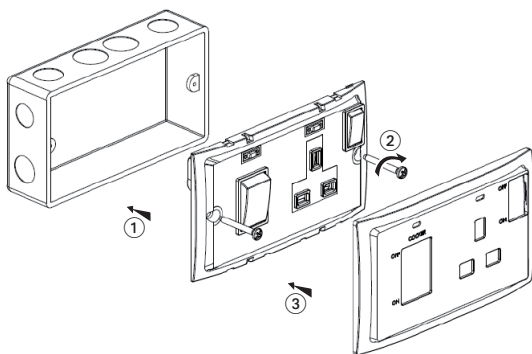
3.1 General preparation for 2 810 70/71/72:



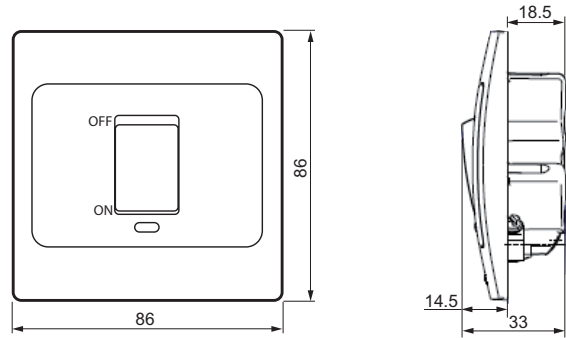
3.1 General preparation for 2 810 73:



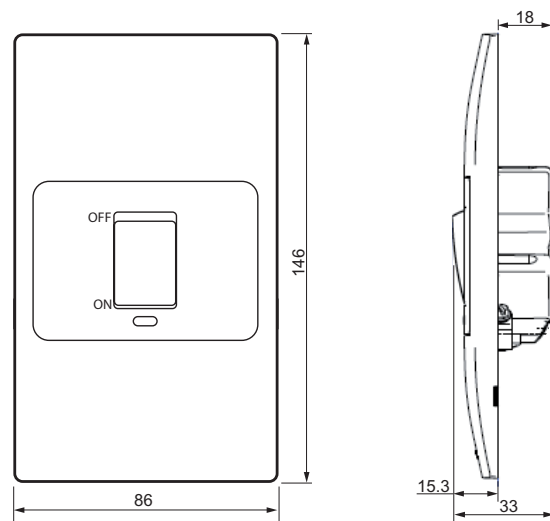
3.1 General preparation for 2 810 75 - 2 812 75 - 2 832 75 - 2 834 75:



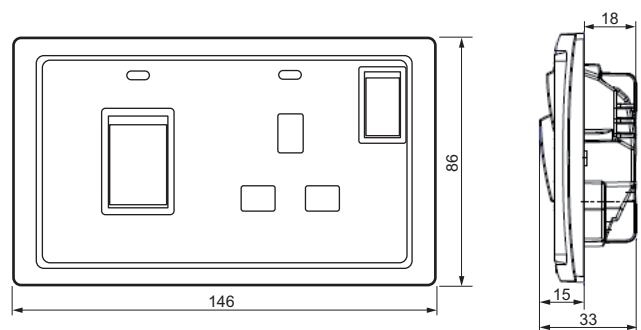
4. OVERALL DIMENSIONS



Profile size: 86 x 86 mm
 Distance of installation hole: 60.3 mm
 Cat. Nos: 2 810 70/71/72



Profile size: 146 x 86 mm
 Distance of installation hole: 120.6 mm
 Cat. No.: 2 810 73



Profile size: 146 x 86 mm
 Distance of installation hole: 120.6 mm
 Cat. Nos: 2 810 75 - 2 812 75 - 2 832 75 - 2 834 75

5. CONNECTION

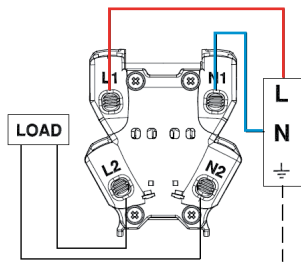
5.1 Terminals

- Terminal capacity: 1 x 16 mm²
- 1 x 10 mm²
- 2 x 6 mm²
- 3 x 4 mm²

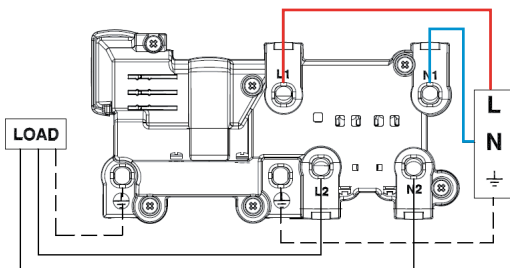
Fitted with 2 brass earth terminals, each of which having the above capacity.
 Recommended screwdriver size: flat blade 5.5 mm
 Recommended tightening torque: 2 Nm
 Recommended stripping: 12 mm

5. CONNECTION (continued)

5.2 Circuits diagrams



Cat. Nos: 2 810 70/71/72/73



Cat. Nos: 2 810 75 - 2 812 75 - 2 832 75 - 2 834 75

6. OPERATION

Switch mechanism (handling force 4 to 5 Nm)

7. TECHNICAL CHARACTERISTICS

7.1 Mechanical characteristics

Impact tests: IK04

Protection against liquids: IP41

7.2 Material characteristics

Rocker: Polycarbonate

Frame: Polycarbonate

support: Polycarbonate

Base: Polypropylene

7.3 Electrical characteristics

Self-extinguishing: 650° C / 30 s

Voltage: 250 VAC

Current: 45 A

7.4 Climatic characteristics

Storage temperatures: - 10°C to + 70°C

Operating temperatures: - 5°C to + 50°C

8. CLEANING

Surface cleaning with a soft, slightly damp cloth.

Do not use: acetone, tar remover, trichloroethylene.

Résistance to the following cleaning agents:

Hexane (EN 60669-1), Methylated spirits, Soapy water, Diluted ammonia, Diluted pure bleach 10 %, Glass cleaning substance, Pre-impregnated wipes.

Caution: A preliminary test should be carried out if other specific cleaning products are to be used.