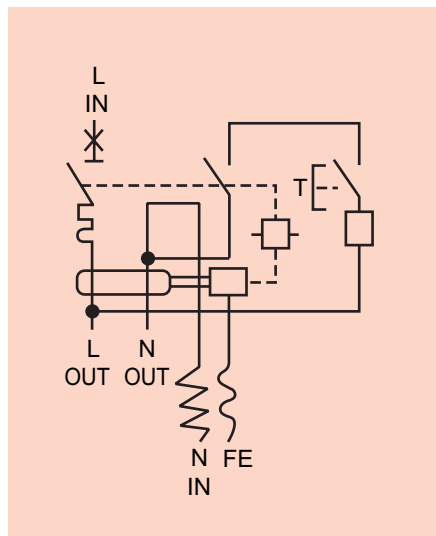
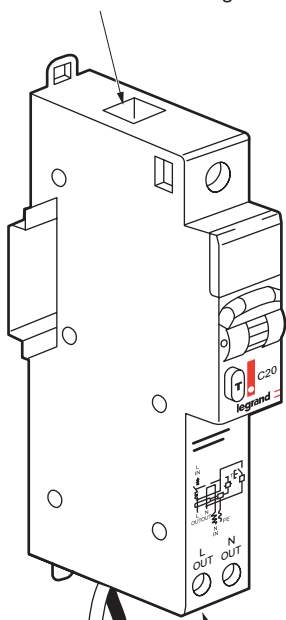


Connect to the incoming busbar



Connect the outgoing L and N cables

Connect to the neutral terminal block

Connect to the earth terminal block

**Safety rules :**

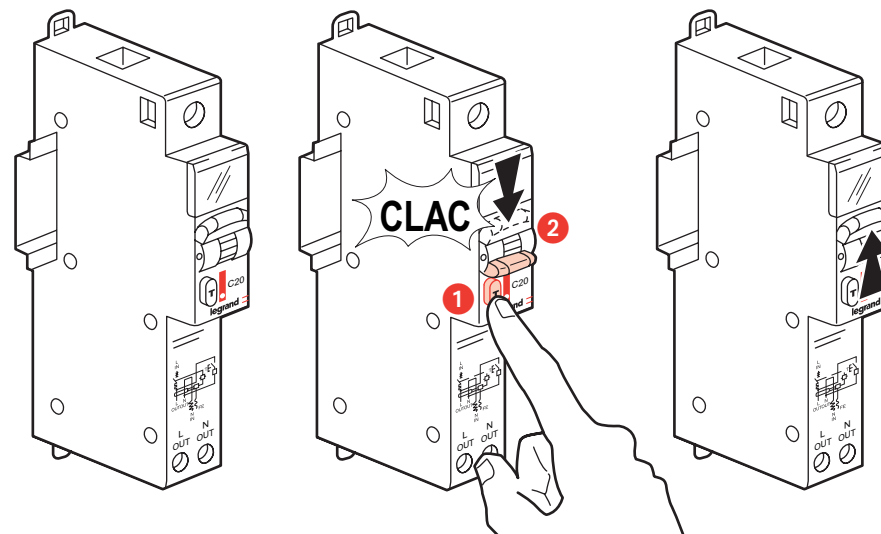
This product should be installed preferably by a qualified electrician. Incorrect installation and use can entail risk of electric shock or fire.

Before carrying out the installation, read the instructions and take account of the product's specific mounting location.

Do not open up the device. All Legrand products must be exclusively opened and repaired by personnel trained and approved by Legrand. Any unauthorised opening or repair completely cancels all liabilities and the rights to replacement and guarantees.

Only use Legrand brand accessories.

Routine testing of the device (e.g. monthly)



Normal operating position

Push Test button to test  
Breaker should trip to Off position

Reset device by pushing  
toggle to the ON position

When used in an installation conforming to current electrical standards and regulations, the RCBO protects :

- The installation wiring against overloads and short circuits.
- Humans against direct and/or indirect contact (according to device sensitivity)
- The installation wiring against the risk of fire due to installation breakdown.

It also can be used as a single pole isolator.

All electrical equipment protected by this RCBO must be effectively earthed and the measured value of the earth loop impedance in normal dry conditions must be lower than 1666 ohms for a 30 mA device.

This RCBO ensures your security even in case of failure of the line voltage : i.e. this RCBO will automatically trip in case of neutral interruption (for earth loop impedance lower than 450 ohms).

Standard BSEN / IEC 61009-1

**ATTENTION :**

Do not apply high voltage or insulation test to this RCBO. Device must be disconnected before high voltage or insulation test.