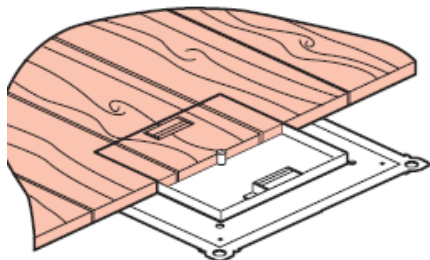


## IP30 floor Box wooden floors

Number(s) : 89683/84/88 et 89634/39



Cat.Nos 89688

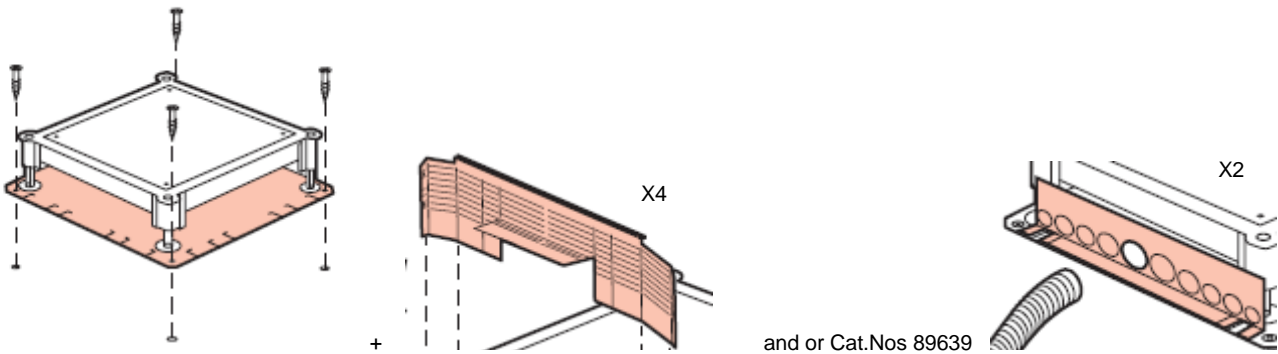
### CONTENTS

### PAGES

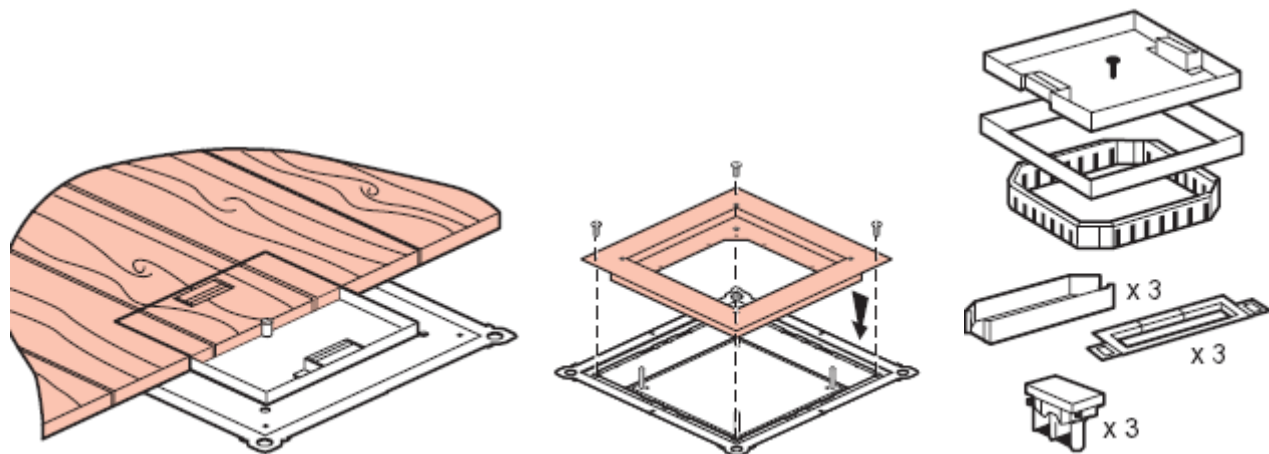
1.Range	1
2.Backboxes installation	2 à 7
3.Technical characteristics	8 à 9
4.Material characteristics	9

### 1 RANGE.

Metal backbox Cat.Nos 89634 :



Floor Box with cover IP 30 with side exit of cables Cat.Nos 89688

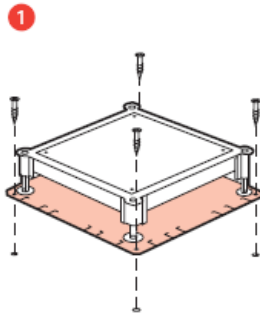


## 2 BACKBOXES INSTALLATION

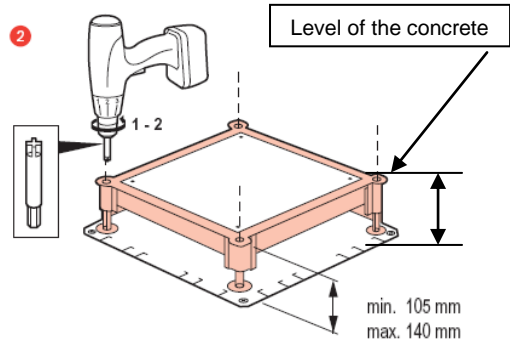
Metal backbox Cat.Nos 89634 :  
Useful for heavy duty & water resistant floor boxes Cat.Nos 89688

The metal backbox is delivered with 4 sides for floor trunking & one accessory for screwing.  
Cat.Nos 89639 : set of 2 adaptors for conduit Ø 16, 20 et 25

1- Fixing of the backbox on the floor

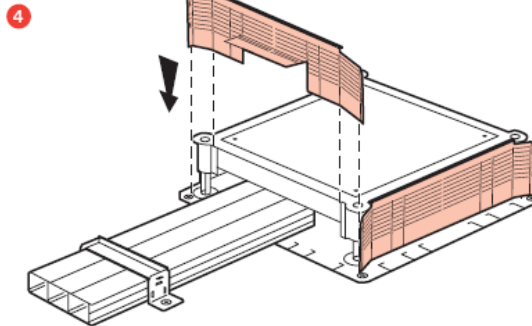
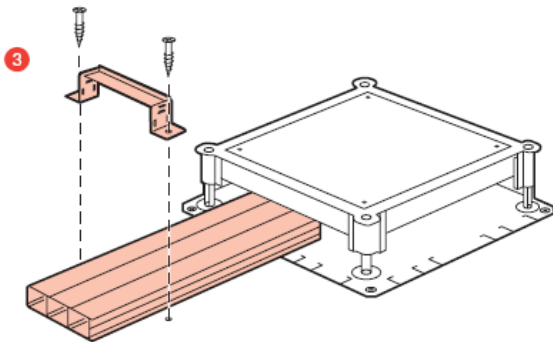
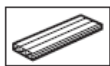


2- Height adjustment of the backbox at the level of the concrete

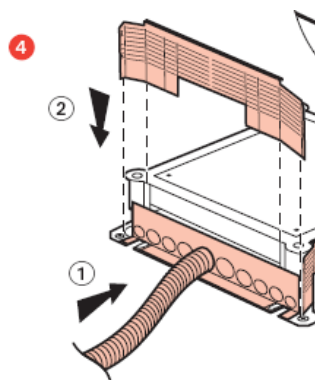
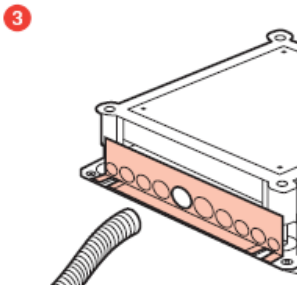


3- Installation of floor ductings or conduits

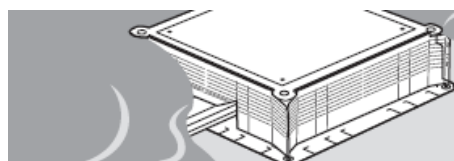
Adaptors for floor ducting (delivered with backboxes)



or (Cat.Nos 89639 : set of 2 adaptors for conduit Ø 16, 20 et 25)



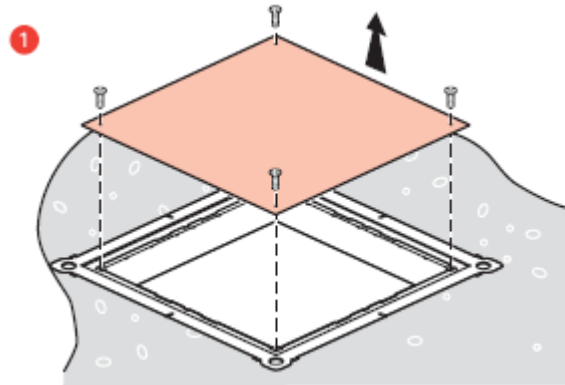
And pouring the concrete



## 2 COVER SUPPORT INSTALLATION

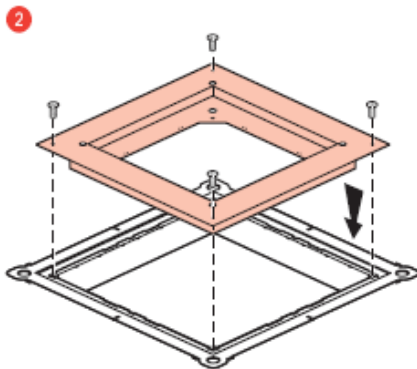
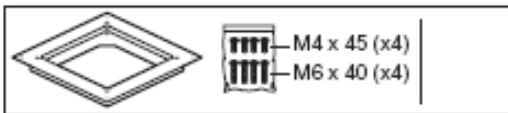
Useful for IP30 floor box wooden floors Cat.Nos 89688

- Set for standard load Cat.Nos 89683
- Set for heavy load Cat.Nos 89684



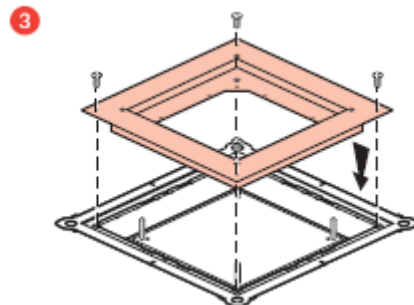
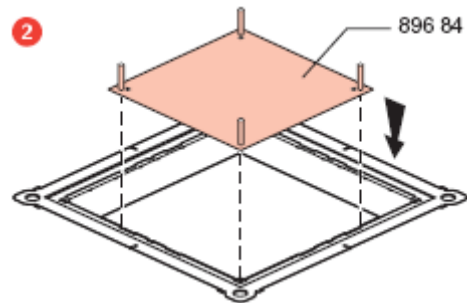
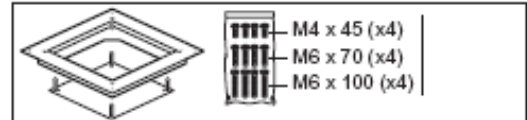
Standard load

896 83



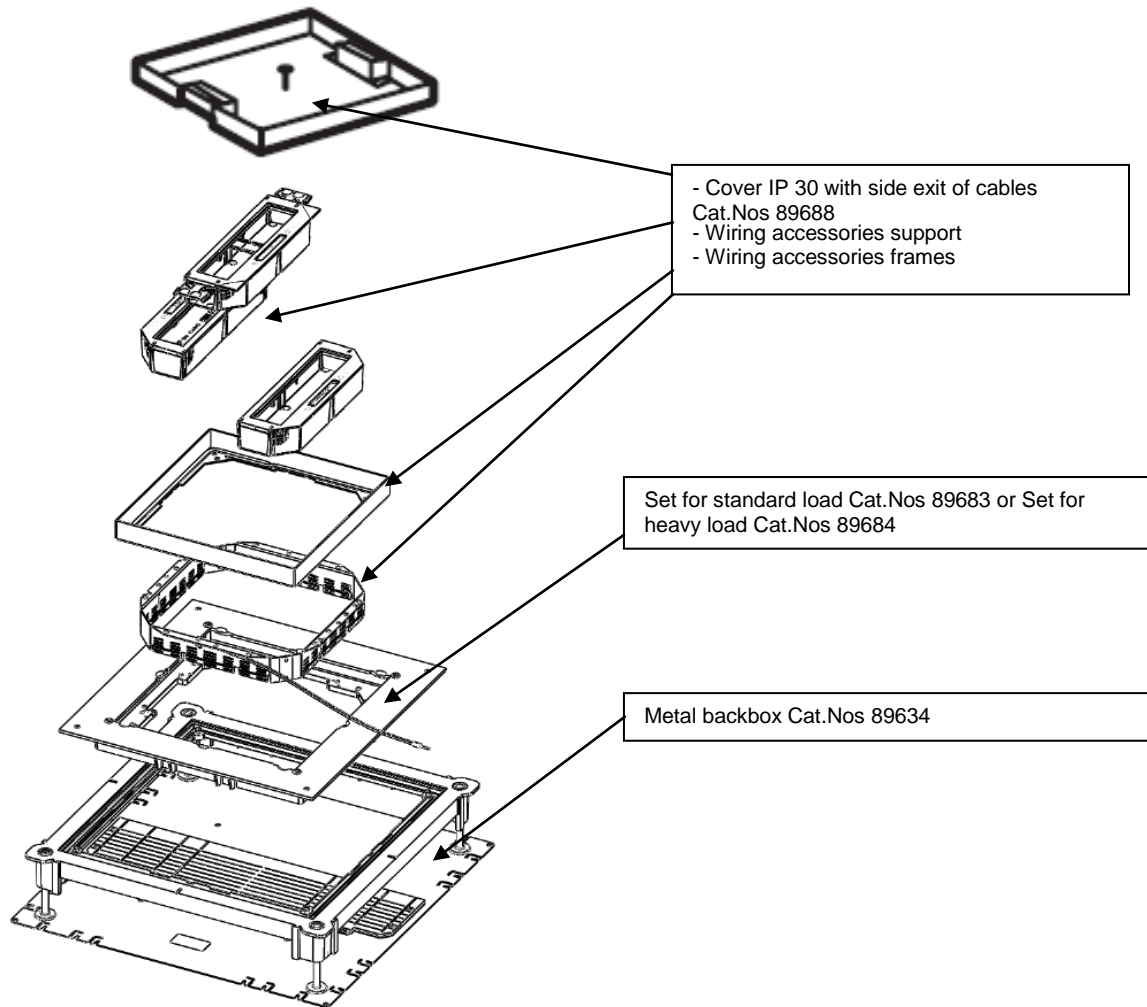
Heavy load

896 84



## 2 FLOOR BOX WITH COVER IP30 WITH SIDE EXIT OF CABLES

Floor Box with cover IP 30 with side exit of cables Cat.Nos 89688



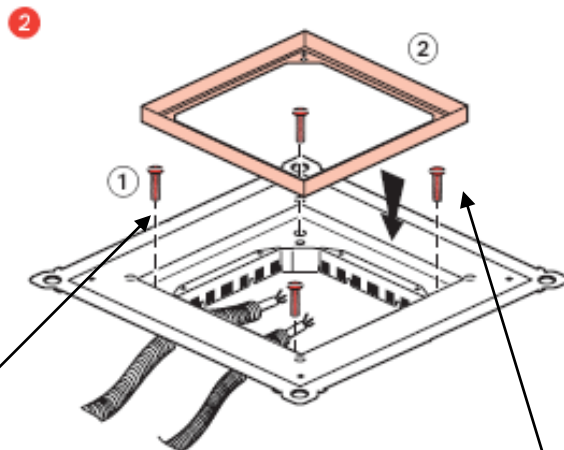
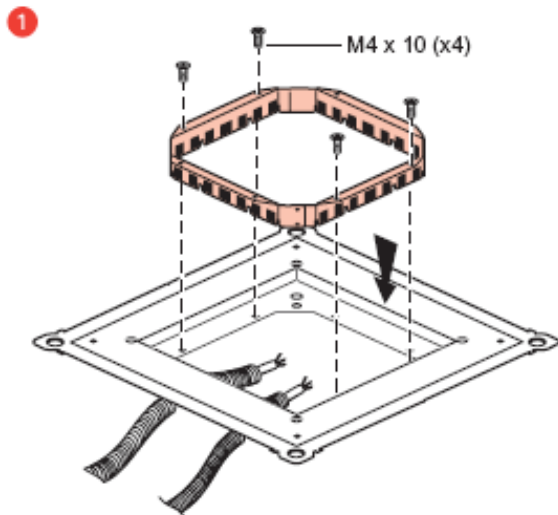
## 2 FLOOR BOX WITH COVER IP30 WITH SIDE EXIT OF CABLES INSTALLATION

Wiring accessories support

Useful for installation of IP30 floor box wooden floors Cat.Nos 89688

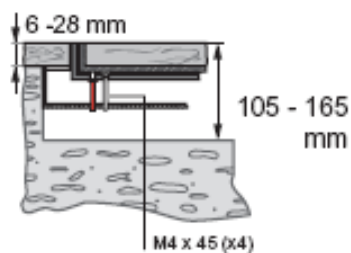
1- Support fixing in set Cat.Nos 89683 or 89684

2- Screws & Cover support fixing



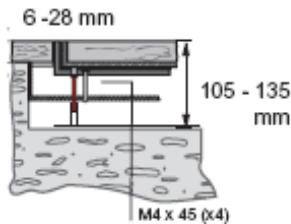
With the set for standard load Cat.Nos 89683, use the screws M6x40(x4)

**M6 x 40 (x4)**

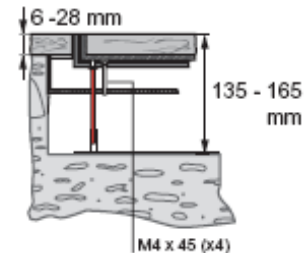


With the set for heavy load Cat.Nos 89684, use the screws M6x70(x4) or M6x100(x4) depending on the screed level

**M6 x 70 (x4)**

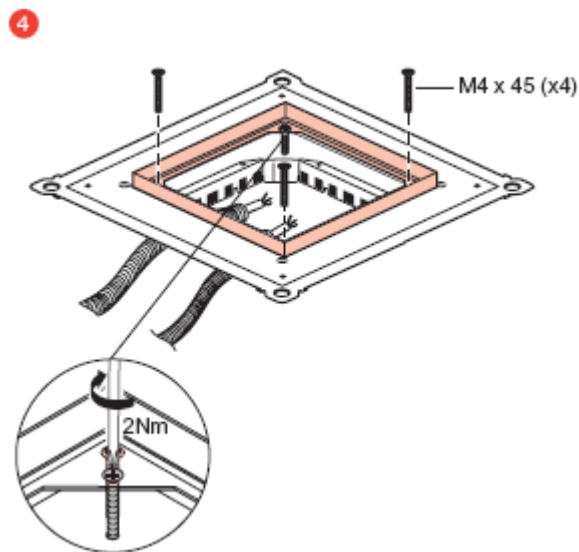
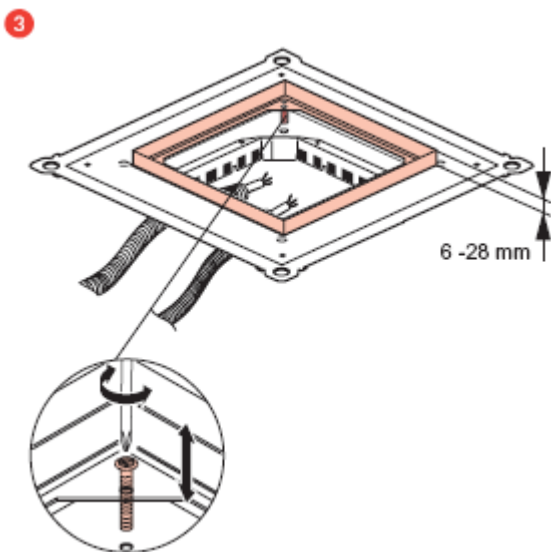


**M6 x 100 (x4)**



3- Support height adjustment for cover

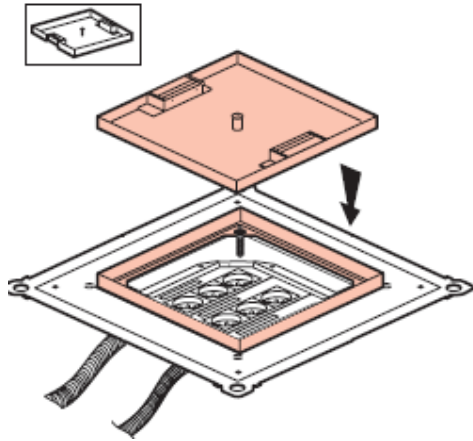
4- Locking



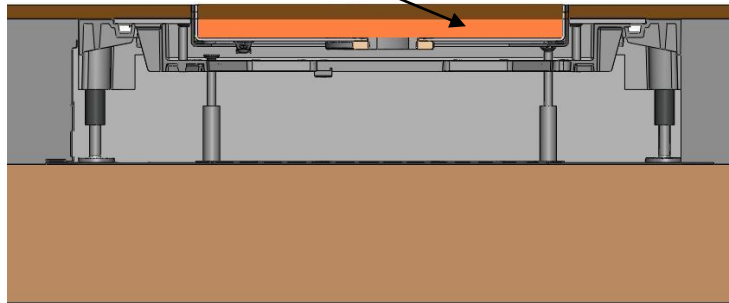
## 2 FLOOR BOX WITH COVER IP30 WITH SIDE EXIT OF CABLES

Floor Box with cover IP 30 with side exit of cables Cat.Nos 89688

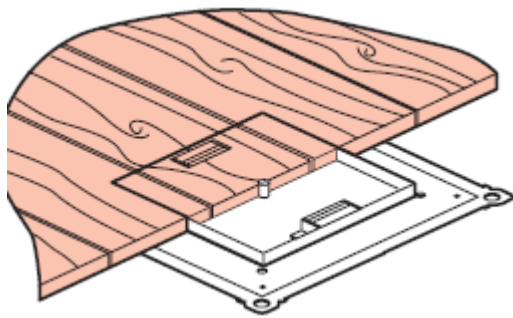
### 1- Cover installation



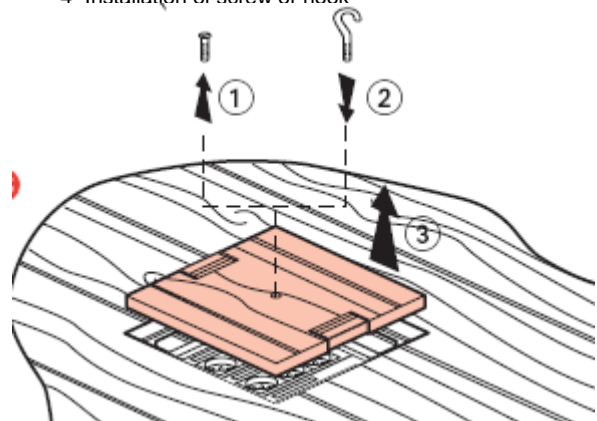
2- Before fitting coating, adjustment of the level of the inside of the cover with the help of the glue (depth of the glue = difference between the coating thickness and the cover height)



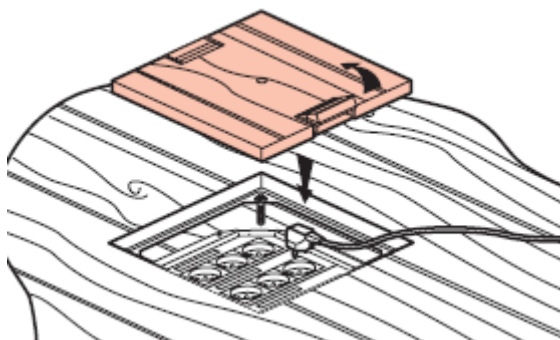
### 3- Fitting the tiles



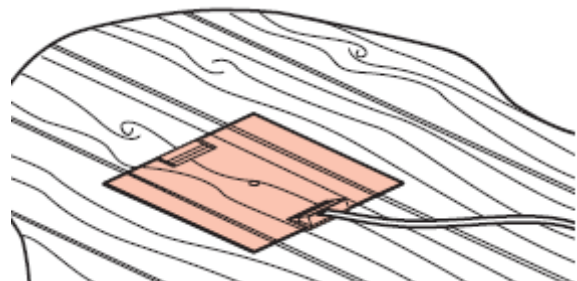
### 4- Installation of screw or hook



### 5- Insertion and connection of the cable



### 6- Repositioning of the cover

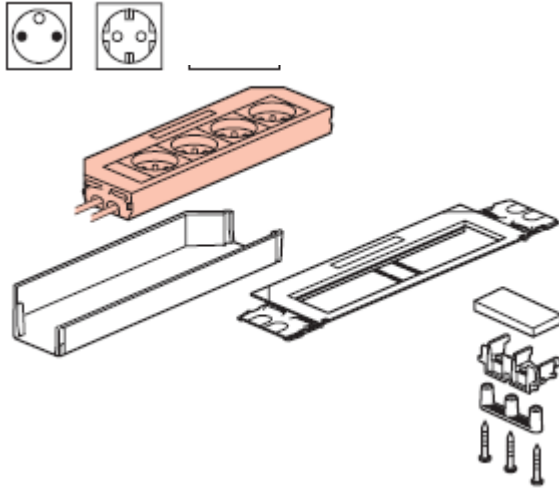




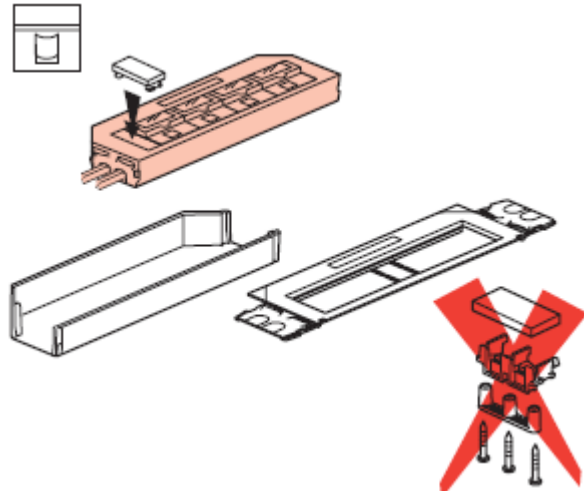
## 2 WIRING ACCESSORIES FRAMES INSTALLATION

Wiring accessories frames  
Useful for installation of IP30 floor box wooden floors Cat.Nos 89688

With power (8 mod. + tightener)



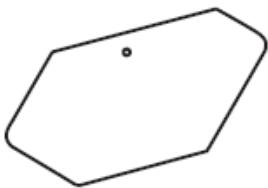
With data (9 mod.)



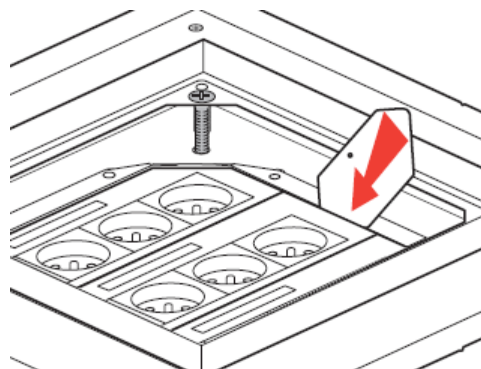
Wiring accessories frames in an IP30 floor box wooden floors, look at hereunder drawing.



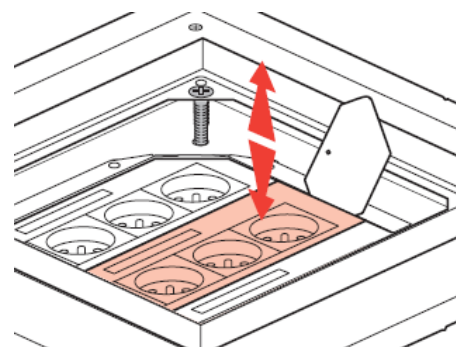
The wiring accessories frames are delivered with a card allowing the installation and the removing of the frames in the bottom of the floor box.



Insertion of the card for installation of the wiring accessories frames

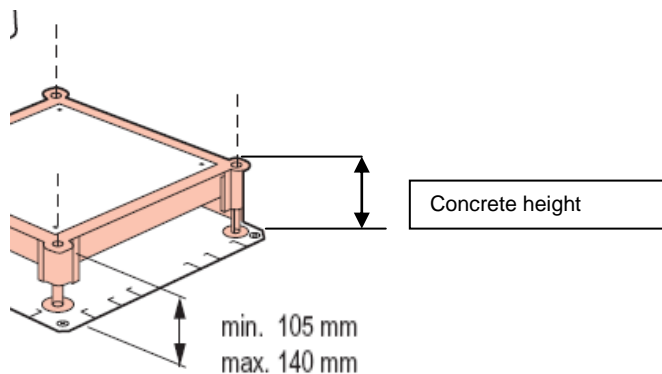


Insertion of the card to remove the wiring accessories frames

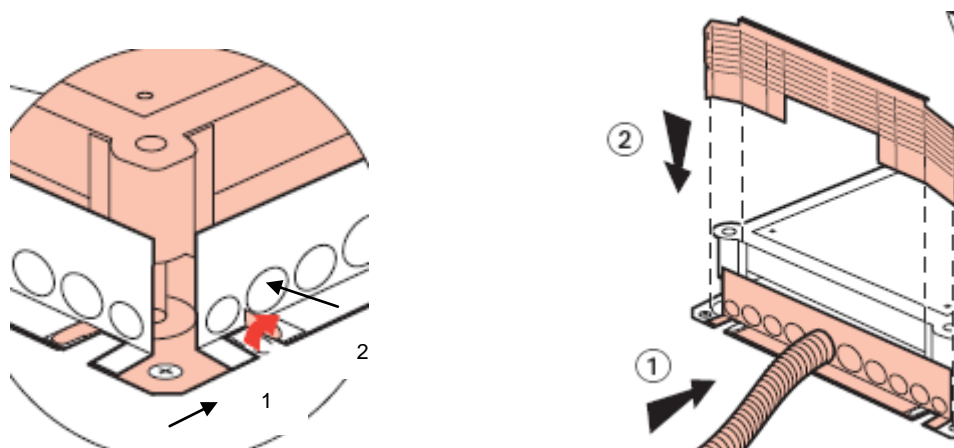


## 3 TECHNICAL CHARACTERISTICS

Metal backbox including 4 sides for floor trunking & one accessory for height adjustment.  
 Cat.Nos 89639 : set of 2 adaptors for conduit Ø 16, 20 et 25

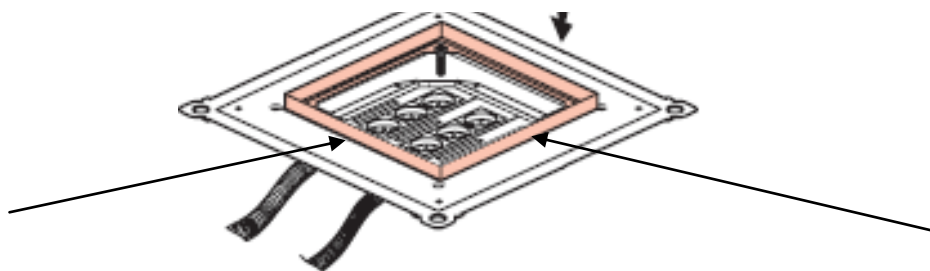


The backbox is adjustable in height, its height has to be the same as the concrete  
 For fixing adaptors for conduits in the bottom of the backbox, look at hereunder drawing)



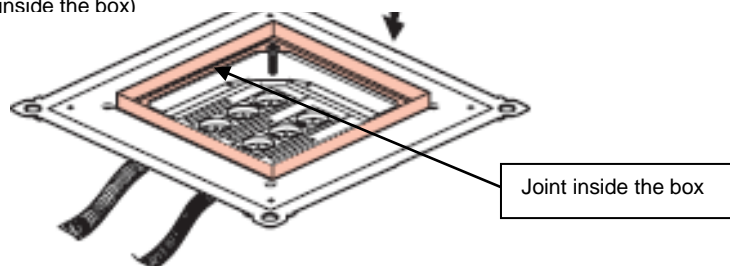
**Important:**

Before the installation of the final coating, to make a joint around the support lid for a good sealing.



Concerning the installation of tiling, to leave 5 mm all around the support lid to make a joint there.

The interior of floor box does not have to receive waste/dust during the installation of equipment as before the installation of the lid (this guaranteeing the effectiveness of the joint inside the box)

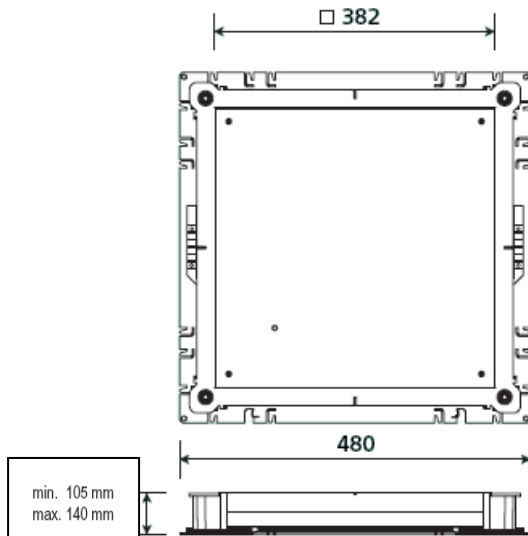


Attention to pose the whole on the level well it final ground to avoid the water stagnation or all other liquidates (floor boxes are recommended only of use inside)



## 3 TECHNICAL CHARACTERISTICS

Dimensions (for support & cover):



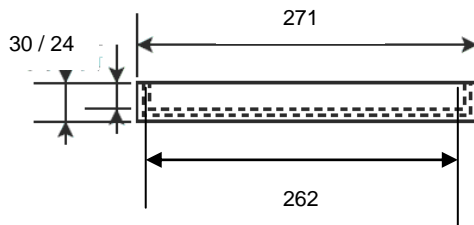
Index of protection (IP)

IP30 with cover closed, plugs no connected, wiring accessories frames IP24

Installation principe :

In order to install wiring accessories, it is necessary to adjust the backbox at the level concrete of 105mm.

Dimension in mm of the cover of floor boxes Cat.Nos 89688 :



## 4 MATERIAL CHARACTERISTICS.

Covers : Stainless steel 304L

Backboxes : Galvanized steel+ Zamac

Wiring accessories frames: polypropylene