

PVC floor duct and metal underfloor boxes

Number(s) :

89634/35/36/37/38, 89660/61/62/63, 89667/68/69/70 et 89674/75/76/77/78



CONTENTS

PAGES

- 1 Range
- 2 Technical characteristics
- 3 Fixing

1 RANGE

Metal underfloor boxes ref 89634

Allow derivation of power and data cable and fitting of a floor box :

Adjustable height from 56mm to 140mm with 4 screws situated in the corners.

Cutable sides to fit the different trunking sizes.

Delivered with building site cover to be replaced with metal cover or floor box.

Covers (thickness 3mm) ref 89635 à 38

Ref 89635 :
Blanking cover plates for simple junction.

Ref 89636 :
Mounting cover plate for floor boxes 12 modules or floor boxes with reduced height 10 modules.

Ref 89637 :
Mounting cover plate for floor boxes 12 modules 18 modules.

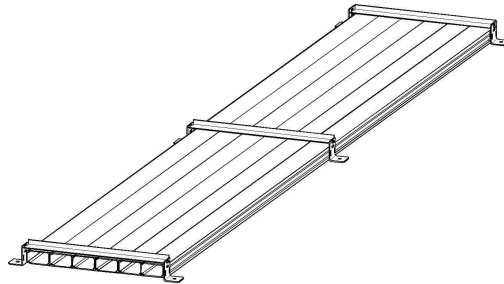
Ref 89638 :
Mounting cover plate for floor boxes 24 modules or floor boxes with reduced height 16 modules.

Choice of covers for floor box fitting :

Ref. cover	Floor boxes with adjustable height from 75 à 105mm	Floor boxes with height reduced to 65mm
896 36	12 modules 896 05/06/07/40/41	10 modules 896 20/21
896 37	18 modules 896 10/11/12/45/46	/
896 38	24 modules 896 15/16/17	16 modules 896 25/26

1 RANGE (continued)

PVC floor duct ref 89660 to 63 and 89667 to 70



PVC floor duct allows :

- distributing power 4 data in a concrete floor.
- Can be joined to make the number of compartments required (300mm maxi), for immediate use or standby.

Combines with metal underfloor boxes for cable junction or floor box installation.
IP40/IK08, length 2m.

Height 28mm :

Reference	Number of compartments	Dimensions
89660	1	50x28
89661	2	100x28
89662	3	150x28
89663	4	200x28

Height 38mm :

Reference	Number of compartments	Dimensions
89667	1	50x38
89668	2	100x38
89669	3	150x38
89670	4	200x38

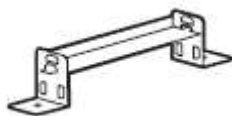
PVC floor duct and metal underfloor boxes

Number(s) :

89634/35/36/37/38, 89660/61/62/63, 89667/68/69/70 et 89674/75/76/77/78

1 RANGE (continued)

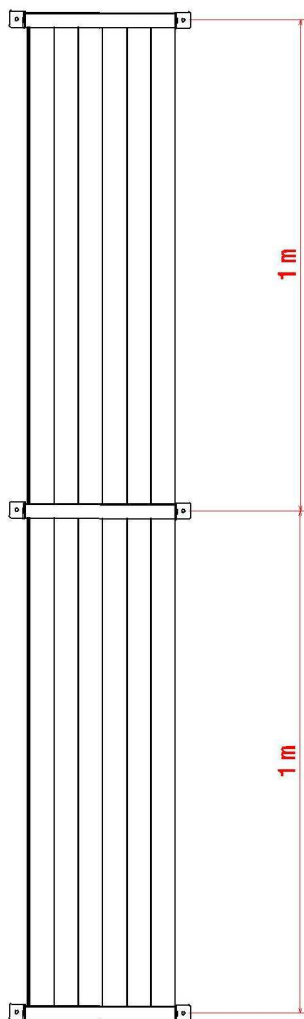
Fixing / coupling accessories ref 89674 à 78



For fixing floor ducts on floor and junction between ducts.

Reference	Use for
89674	For duct width 100mm
89675	For duct width 150mm
89676	For duct width 200mm
89677	For duct width 250mm
89678	For duct width 300mm

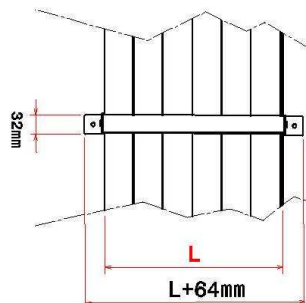
To be fixed every meter :



1 RANGE (continued)

Fixing / coupling accessories ref 89674 à 78 (continued)

Dimensions of coupling accessories :



2 TECHNICAL CHARACTERISTICS.

Cabling capacity for PVC floor duct :

Ø maxi / compartment :

→ Ø 24mm for floor duct height 28mm

→ Ø 34mm for floor duct height 38mm

Section / compartment and total section :

Height 28mm:

Dimensions+ references	Number of compartments	Total section mm ²
50x28 89660		1080
100x28 89661		2160
150x28 89662		3240
200x28 89663		4320

Height 38mm:

Dimensions+ references	Number of compartments	Total section mm ²
50x38 89667		1550
100x38 89668		3100
150x38 89669		4650
200x38 89670		6200

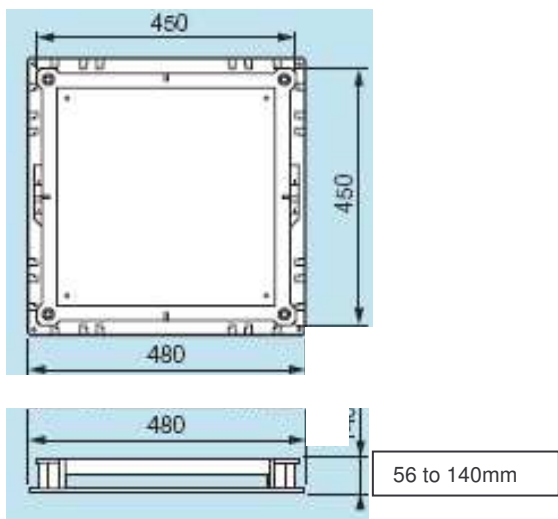
PVC floor duct and metal underfloor boxes

Number(s) :

89634/35/36/37/38, 89660/61/62/63, 89667/68/69/70 et 89674/75/76/77/78

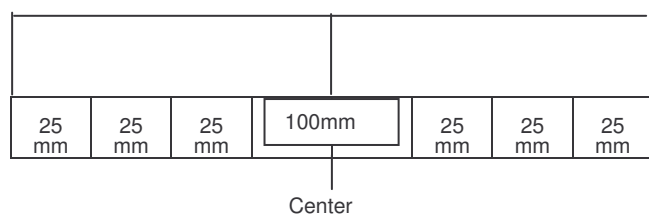
2 TECHNICAL CHARACTERISTICS (continued)

Dimensions of metal underfloor boxes :



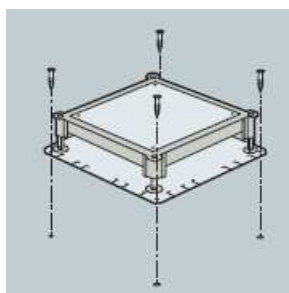
To use tubes (Ø 16, 20 or 25) use plastic underfloor boxes references 89630/31/32

Schematic of fitting of the PVC floor duct in the grid of the box:

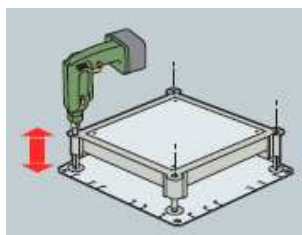


3 FIXING

Underfloor box fixing :

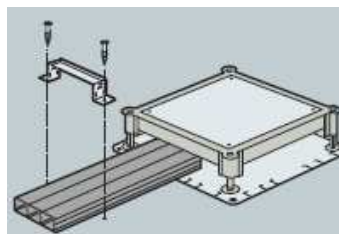


Height adjustment (56 to 140mm) :

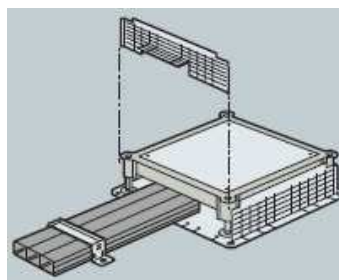


3 FIXING (continued)

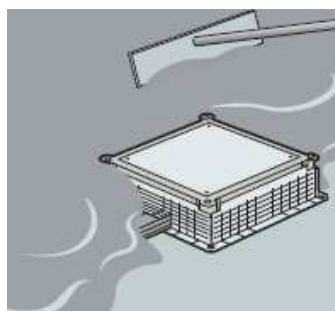
Placing the floor ducts



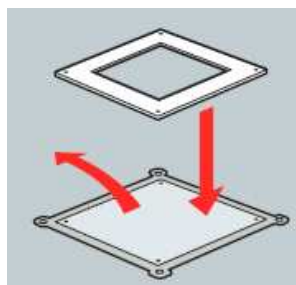
Placing the lateral sides :



Pouring the concrete :



Cover change :



Placing the floor box.

