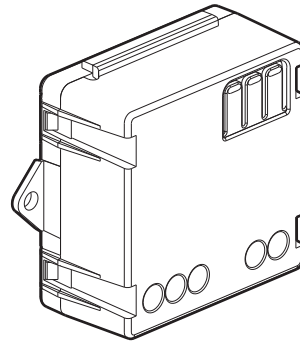


MyHOME® Play Micromodule switch with neutral 300 W radio receiver

Cat. No(s): 0 883 06



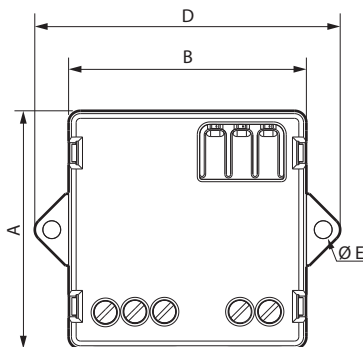
1. USE

Micromodule switch, can be connected close to the load (placed in flush mounting box or lighting accessory). Avoids having to pull a cable between the load and its control. Its receiver function enables it to be controlled by radio controls (transmitters). Single or double wireless control, 4-scenario control, IR detector, remote controls.

2. RANGE

| Description | Cat. No. |
|---|----------|
| Radio receiver switch 1 ON/OFF circuit | 0 883 06 |

3. OVERALL DIMENSIONS (mm)



| A | B | C | D | Ø E |
|----|----|----|----|-----|
| 40 | 40 | 20 | 52 | 3 |

4. CONNECTION

Terminal type: with screws
Terminal capacity: 1.5 mm²
Stripping length: 6 mm
Screwdriver: flat 3 mm

5. TECHNICAL CHARACTERISTICS

■ 5.1 Mechanical characteristics

Impact test: IK 04
Penetration by solid bodies/liquid: IP 20

■ 5.2 Material characteristics

PC reinforced with 10% glass

Self-extinguishing:

+850°C/30 s for insulating parts holding live parts in place
+650°C/30 s for other parts made of insulating materials

■ 5.3 Electrical characteristics

2.4 GHz Radiofrequency band (16 channels) - Byte rate: 250 KB/s.
Self healing MESH network with high security level (AES128) according to IEEE 802.15.4 (LR-WPAN) standard.

5 terminals: 1 dimming
1 phase cut
1 phase
2 neutral

Power: 300 W

Voltage: 127/240 V

Frequency: 50/60 Hz

Current: LED 0.4 A max. - Incandescent 1.3 A max.

■ 5.4 Climatic characteristics

Storage and operating temperatures: + 5° C to + 45° C

6. CLEANING

Surface cleaning with a cloth.
Do not use: acetone, tar remover or trichloroethylene.

Caution: A preliminary test should be carried out if other specific cleaning products are to be used.

7. STANDARDS AND APPROVALS

Compliance with installation and manufacturing standards.
Refer to e-catalogue.