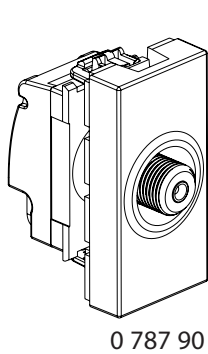
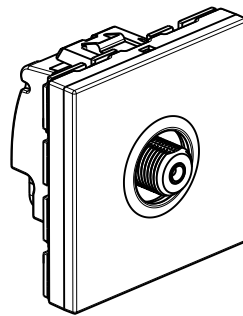


**Mosaic™**  
**Single television sockets**

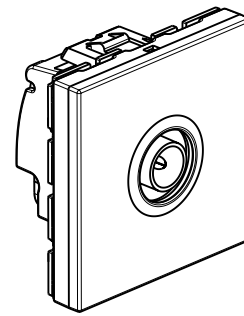
Cat. No(s): 0 787 80/82/90/93 - 0 791 82 - 0 792 92



0 787 90



0 787 80



0 787 82/0 791 82/0 792 92

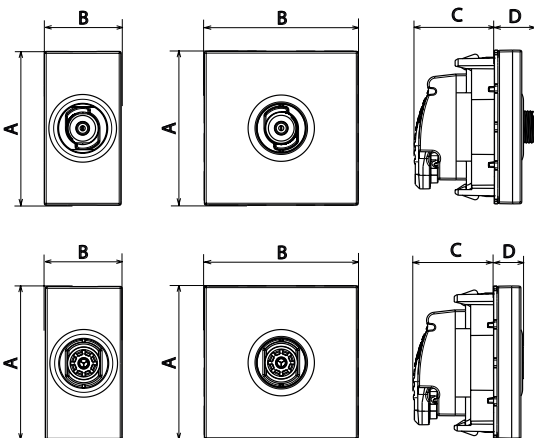
**1. USE**

Male TV socket  $\varnothing$  9.52 mm and F type female TV socket screw-in connector - 0-2400 MHz  
 Recommended cable 17/19 VATC  
 Compatible with UHD terrestrial TV  
 Shielded star (class A)

**2. RANGE**

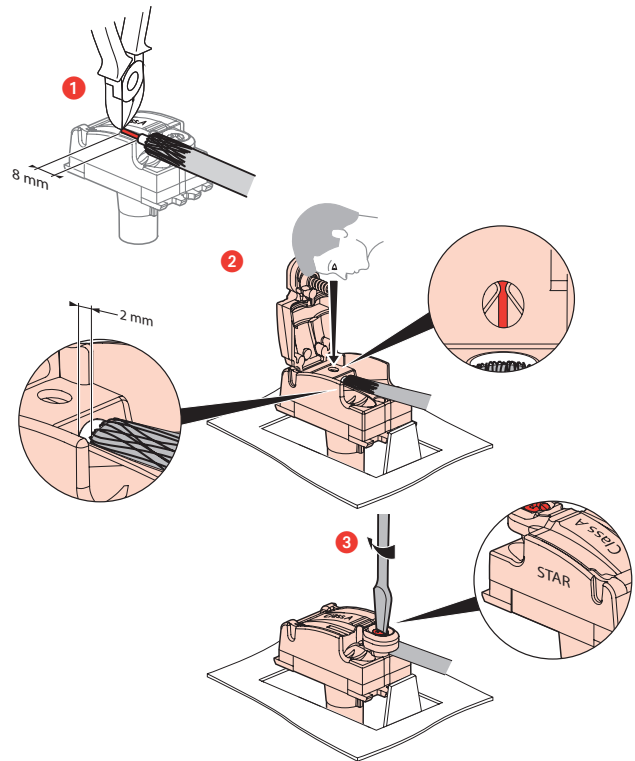
Cat. Nos.	Description	colour	No. of modules
0 787 80	Single F type female TV socket screw-in connector	white	2
0 787 90	Single F type female TV socket screw-in connector	white	1
0 787 82	Single male TV socket $\varnothing$ 9.52 mm	white	2
0 791 82	Single male TV socket $\varnothing$ 9.52 mm	anthracite	2
0 792 92	Single male TV socket $\varnothing$ 9.52 mm	aluminium	2
0 787 93	Single male TV socket $\varnothing$ 9.52 mm	white	1

**3. DIMENSIONS (mm)**

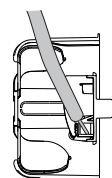
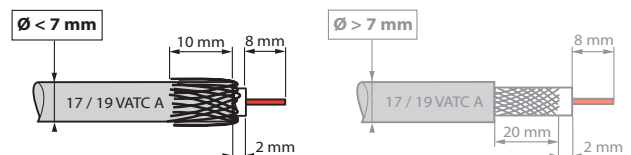


Cat. Nos.	A	B	C	D
0 787 80	45	45	23.4	12.2
0 787 90		22,5		
0 787 82 - 0 791 82 - 0 792 92		45	8.7	
0 787 93		22.5		

**4. CONNECTION**



**5. WIRING PRECAUTIONS**



By restricting deformation of the coaxial cable, the rear connection avoids impedance discontinuity, thereby sustaining performance.

**6. TECHNICAL CHARACTERISTICS**

■ **6.1 Mechanical characteristics**

Protection against solid bodies and liquids: IP 21  
Protection against impacts: IK 04  
Cable resistance 120 N: standard IEC 61169-24

■ **6.2 Material characteristics**

**Casing:** Poly gloss appearance

**Colour:** - White RAL 903  
- Aluminium

**Material:** - Plate: ABS/PC  
- Cover plate: ABS  
- Halogen-free  
- UV resistant

**Motor:** - Box: zamac  
- Cover: zamac  
- Pin: bronze  
- Screws: steel

■ **6.3 Electrical characteristics**

- Characteristic impedance: 75 Ohm  
- Male connector Ø 9.52 mm  
- F type female screw-in connector  
- Class A shielding efficiency (class A shielding is necessary to prevent interference caused by using new 3 and 4 G phone signals, as these unwanted signals can result in pixellation on screen or adversely affect the sound track).  
- Frequency bands: TV/SAT : 0 - 2400 MHz  
- Attenuation: 1 dB maximum  
- Insulation resistance: standard IEC 61169-24  
- Compatible with remote power supply

■ **6.4 Climate characteristics**

Storage and operating temperature: -5°C to +35°C

**7. CARE**

Clean the surface with a cloth.  
Do not use acetone, tar-removing cleaning agents or trichloroethylene.  
Resistant to the following products: Hexane (EN 60669-1), methylated spirit, soapy water, diluted ammonia, bleach diluted to 10%, window-cleaning products, pre-impregnated wipes.

**Caution:** Always test before using special cleaning products.

**8. STANDARDS AND APPROVALS**

- EN 50083-2
- EN 50083-4
- Class A certificate

**pkml** electronic GmbH  
a member of the STC

**Attestation of Conformity**

We,  
**PKM electronic GmbH**  
Ohmstrasse 1  
84160 Frontenhausen, Germany

confirm hereby that the product  
(description of the apparatus, system, installation to which it refers)  
**TV socket (star network) 5-2400MHz  
SINGLE F TYPE TV SOCKET**  
Brand: Legrand  
complies with

**Used Standard:**  
**EN50083-2:2012** Cable networks for television signals, sound signals and interactive services - Part 2: Electromagnetic compatibility for equipment

The attestation based on a positive testing of a representative test sample.  
The test sample fulfills the requirements of the above listed standard for **CLASS A**, tested according to Council Directive 2004/108/EC (EMC-Directive).

Date: 19.01.2016  
Ref.No.: 15/13-0032  
Based on Test report, Ref.No.: 15/10-0032  
ACCREDITATION:  
DIN EN ISO 9001:2008

**TESTED IN GERMANY**

**pkml** electronic GmbH  
Ohmstrasse 1  
84160 Frontenhausen, Germany  
*Karl Semar*  
Authorized Signature

**pkml** electronic GmbH  
a member of the STC

**Attestation of Conformity**

We,  
**PKM electronic GmbH**  
Ohmstrasse 1  
84160 Frontenhausen, Germany

confirm hereby that the product  
(description of the apparatus, system, installation to which it refers)  
**TV socket star network 5-2400Mhz  
MECA TV ETOILE MALE**  
Brand: Legrand  
complies with

**Used Standard:**  
**EN50083-2:2012** Cable networks for television signals, sound signals and interactive services - Part 2: Electromagnetic compatibility for equipment

The attestation based on a positive testing of a representative test sample.  
The test sample fulfills the requirements of the above listed standard for **CLASS A**, tested according to Council Directive 2004/108/EC (EMC-Directive).

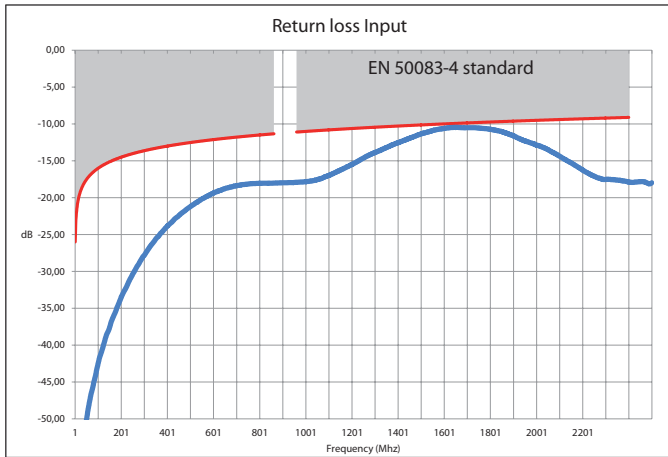
Date: 19.01.2016  
Ref.No.: 15/02-0055  
Based on Test report, Ref.No.: 15/03-0055  
ACCREDITATION:  
DIN EN ISO 9001:2008

**TESTED IN GERMANY**

**pkml** electronic GmbH  
Ohmstrasse 1  
84160 Frontenhausen, Germany  
*Karl Semar*  
Authorized Signature

9. PERFORMANCE

Single male TV socket



Single F type female TV socket screw-in connector

