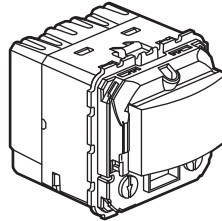


Automatic switch - 2-wires

Cat. No(s): 0 670 26 - 0 488 96 - 0 784 58/59 - 0 792 47 - 6 651 22 - 6 652 22



0 670 26

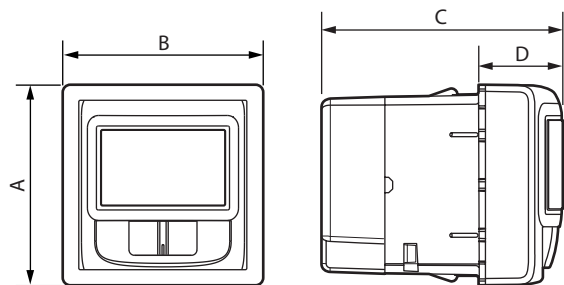
1. USE

Automatic switches without neutral, with infrared detection.
 Switches automatically on in case of movement detection and low natural light level.
 Installation in box depth 50 mm recommended (40 mm minimum).
 To be equipped with plate.
 Flush mounting.

2. RANGE

	Description	Cover plate	Reference
	Automatic switch Céliane - 250 W 2-wire with settings	-	0 670 26
	Automatic switch Céliane - 250 W ready to install (delivered complete) With settings	White (0 682 99) Titane (0 685 99)	0 488 96
	Automatic switch Niloé - 250 W 2-wire without override Mechanism supplied with support frame and cover plate	White	6 651 22
		Ivory	6 652 22
	Automatic switch Mosaic - 250 W 2-wire without override	White	0 784 58
	Automatic switch Mosaic - 250 W 2-wire with override	White	0 784 59
	Automatic switch Mosaic - 250 W 2-wire	Aluminium	0 792 47

3. OVERALL DIMENSIONS (mm)

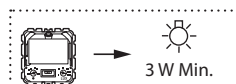
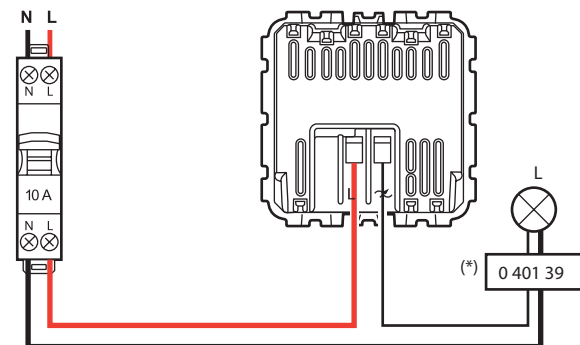


References	A	B	C	D
0 670 26	45	45	52	18
6 651 22 - 6 652 22	76	76	52	18
0 784 58/59 - 0 792 47	45	45	52	18

4. CONNECTION

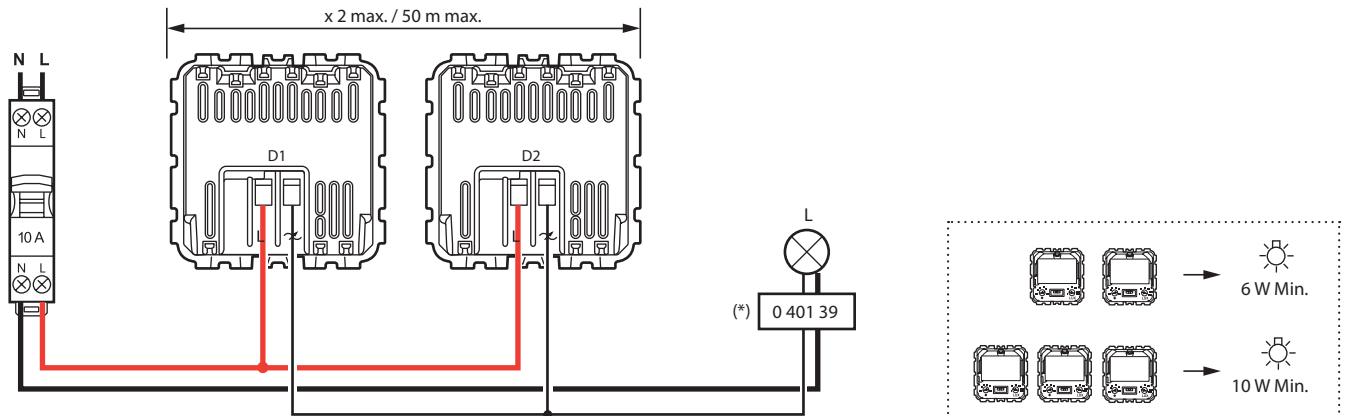
Number of terminals: 2
 Type of terminals: with screws
 Capacity: 2 x 2.5 mm²
 Stripping length: 8 mm
 Screwdriver: flat-blade 4 mm
 Flexible or rigid cables compatible

4.1 Cabling with auxiliary control



4. CONNECTION (continued)

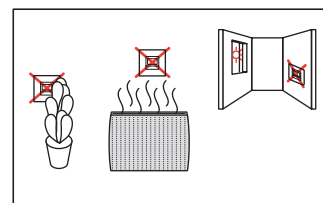
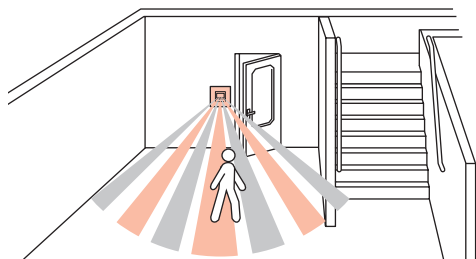
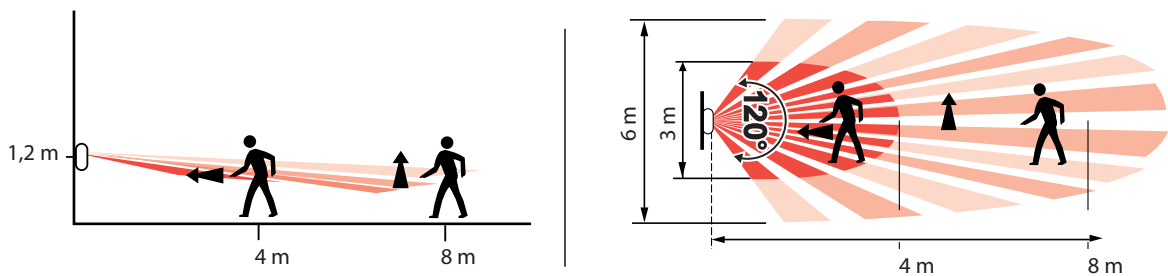
4.2 Cabling with parallel connection for a single charge



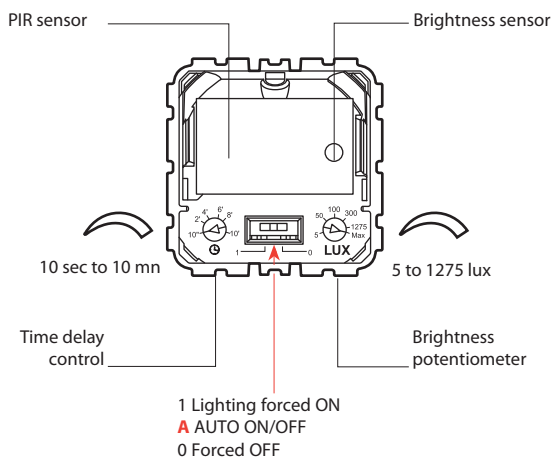
(*) For some electronic loads, the installation of a compensator Cat. No. 0 401 39 is required.

5. OPERATION

5.1 Detection



5.2 Settings



5. OPERATION (continued)**■ 5.3 Operation with a sensor****AUTO mode:**

The lighting switches on automatically when presence is detected if there is insufficient natural light.

The lighting switches off automatically if no presence is detected at the end of the set time delay, or if there is insufficient natural light.

Any new detection triggers an automatic switch-on if there is insufficient light.

Manual ON mode:

The user must switch on the lighting manually and the load remains permanently on.

Manual OFF mode:

The user must switch off the lighting manually and the load remains permanently off, even if an auxiliary input pushbutton request is enabled.

■ 5.4 Operation with two sensors in parallel

Factory-set light level (max. value)

Position of switch on sensor No. 1 (S1)	Position of switch on sensor No. 2 (S2)	Pass in front of sensor No. 1	Pass in front of sensor No. 2	Load status
ON	---	XX	XX	ON Permanent
---	ON	XX	XX	ON Permanent
AUTO	AUTO			OFF
AUTO	OFF			OFF
AUTO	AUTO	X		ON with time delay (value S1)
AUTO	OFF	X		ON with time delay (value S1)
AUTO	AUTO		X	ON with time delay (value S2)
AUTO	OFF		X	OFF
AUTO	AUTO	X	X	ON with time delay (max. value of S1 or S2)
AUTO	OFF	X	X	ON with time delay (value S1)
OFF	AUTO			OFF
OFF	AUTO	X		OFF
OFF	AUTO		X	ON with time delay (value S2)
OFF	AUTO	X	X	ON with time delay (value S2)
OFF	OFF	XX	XX	OFF Permanent

X One option: physical pass in front of the sensor

XX Two possible options: no pass or physical pass in front of the sensor

--- Identification of three possible options ON/AUTO/OFF

6. TECHNICAL CHARACTERISTICS

■ 6.1 Mechanical characteristics

Protection against impact: IK 04

Protection against solid bodies and liquids: IP 40 (monted) - IP 20 (without rocker)

■ 6.2 Material characteristics

Colour: - White RAL 9003

- Ivory RAL 1013

- Aluminium matt chrome painting

Material: - Cover plat ABS

- Halogen free

- UV resistant

Self-extinguishing: + 850° C / 30 s for insulating parts holding live parts in place

+ 650° C / 30 s for other parts made of insulating materials.

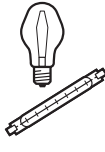


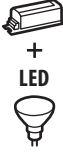







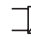
■ 6.3 Electrical characteristics

Voltage: 110 - 230 V~

Frequency: 50-60 Hz

Standby consumption: 0.035 W

Power:

		①	②	③	④	⑤	⑥
							
							
230 V~	Max.	250 W	250 VA	250 VA	250 VA	100 W	100 W
	Min.	3 W	3 VA	3 VA	3 VA	3 W	3 W
110 V~	Max.	125 W	125 VA	125 VA	125 VA	50 W	50 W
	Min.	3 W	3 VA	3 VA	3 VA	3 W	3 W

1 - Halogen lamp

2 - ELV halogen lamp, fluocompact lamp with separate ferromagnetic ballast

3 - ELV halogen lamp, fluocompact lamp and fluorescent tube with separate electronic ballast

4 - LED technology lamp with separate electronic ballast

5 - Fluocompact lamp with integrated electronic ballast

6 - LED technology lamp with integrated electronic ballast

Important: Take account of transformer losses when calculating power. Transformers must be loaded at more than 60% of their power.

Note: Possibility to mix any type of load on the same circuit.

■ 6.4 Climatic characteristics

Storage temperature: - 20° C to + 70° C

Operating temperature: - 5° C à + 35° C

7. CLEANING

Keep the lens clean.

Surface cleaning with a cloth.

Do not use: acetone, tar remover, trichlorethylene.

Maintenance with the following products: Hexane (EN 60669-1), Methylated spirit, Soapy water, Diluted ammonia, Bleach diluted to 10%, Window cleaning products.

Caution: A preliminary test should be carried out if other specif cleaning products are to be used.

8. STANDARDS AND APPROVALS

Compliance with standards of installation and manufacturing.

Refer to e. catalogue.