

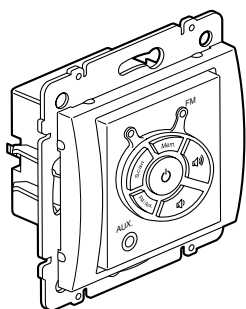
Galea life™

1-zone sound distribution system

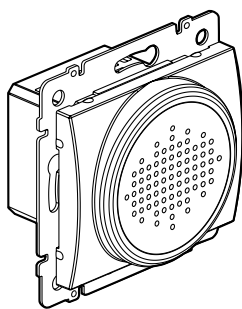
Cat. No(s): 7756 69/74 - 047 96 - 673 22

CONTENTS

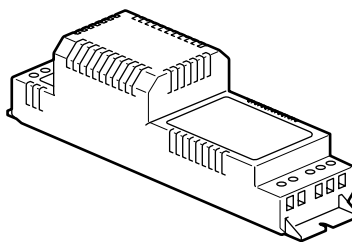
Page



7756 69



7756 74





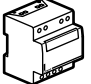
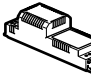
0673 22

1. Use.....	1
2. Range.....	1
3. Overall dimensions.....	1
4. Fitting.....	2
5. Connection.....	2
6. Technical data.....	3
7. Cleaning.....	3
8. Conformity - Approvals.....	3
9. Accessories.....	3
10. Other.....	3

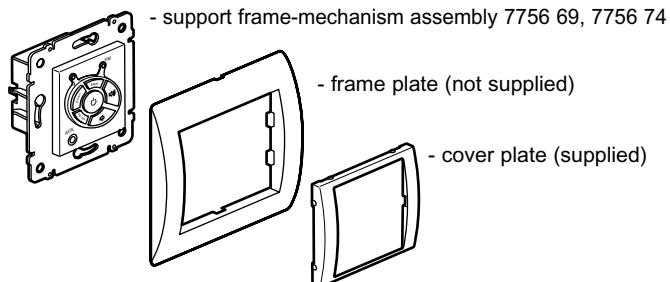
1. USE

System that broadcasts FM radio or a music source plugged into its auxiliary input in a single room in mono or stereo mode.

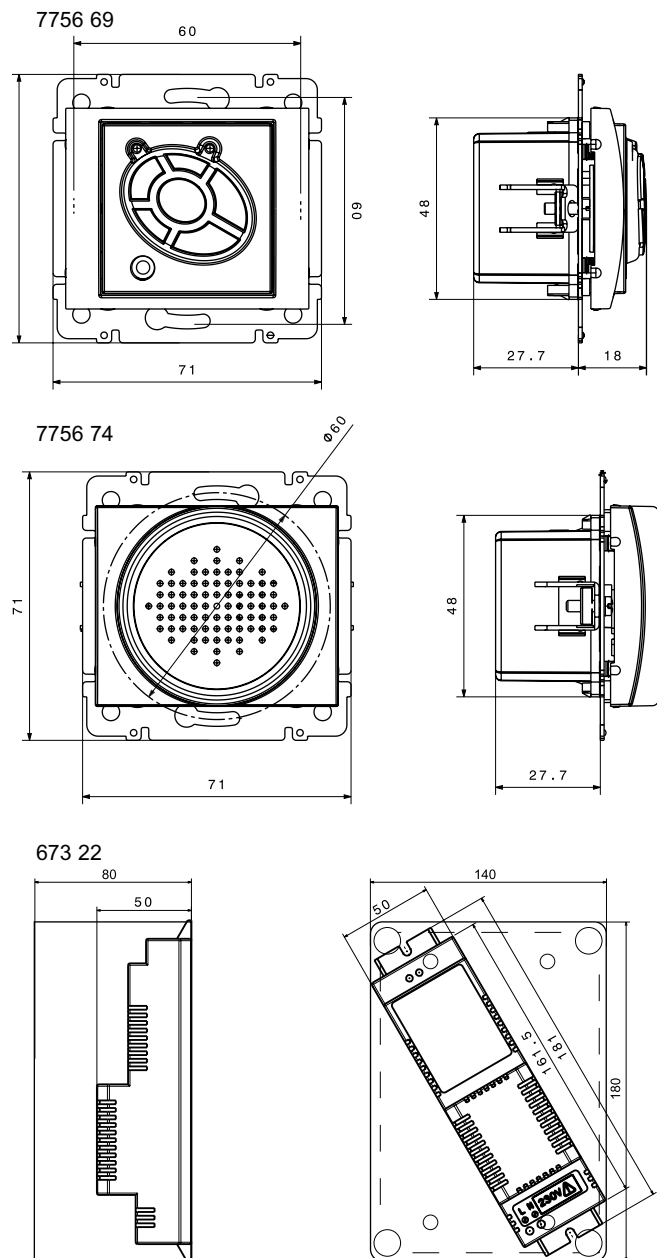
2. RANGE

Designation	Cat. No.	Fixing	Technical data	Weight (g)
 Stereo FM tuner	7756 69	Claw/screw	2 x 1 W - 16 ohm Connection of loudspeakers of 4 to 16 ohm. FM bandwidth: 87.5 to 108 MHz Programmable stop function. Antenna wire supplied.	94
 Power supply for tuner with integrated loudspeaker	7756 74	Claw/screw	Input voltage: 115-230 V~ Output voltage: 12 V = Power: 2.5 W Loudspeaker power: 1 W Impedance: 16 ohm	93
 Modular power supply	047 96	See technical data sheet FR00281FR		950
 Power supply for false ceiling	673 22	Fitted in a Plexo box Cat. No. 920 52	Input voltage: 230 V~ Output voltage: 15 V= Power: 3.5 W	520

- For Cat. Nos 7756 69 and 7756 74, the full mechanism comprises 2 parts sold separately:



3. OVERALL DIMENSIONS - Dimensions in mm



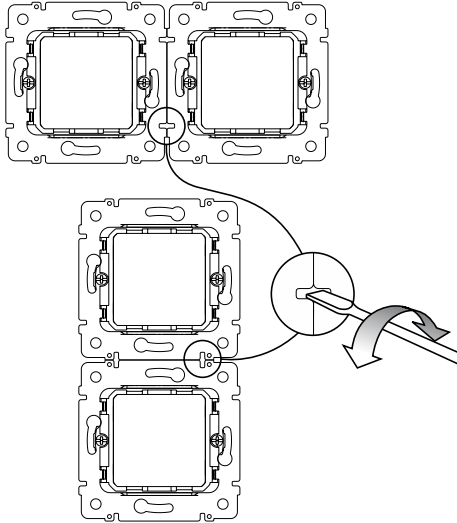
Installed in box Cat. No. 920 52

1-zone sound distribution system

4. FITTING

4.1 Fixing method

Vertical or horizontal multi-gang mounting.



To ensure the support frames are properly aligned, a flat-blade screwdriver has to be inserted in the notches shown above. This operation ensures correct mounting of the frame plate and cover plates.

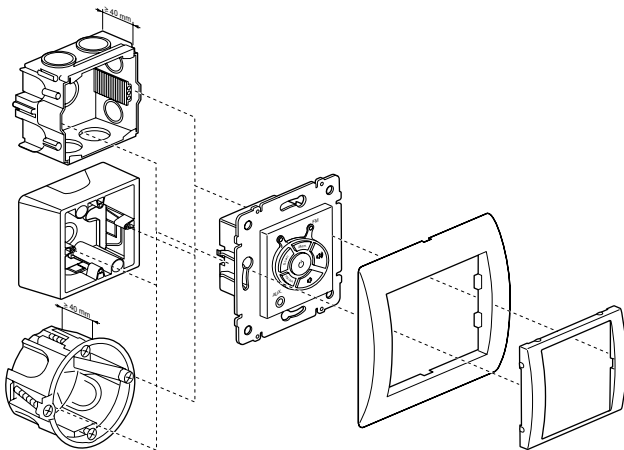
Screw mounting:

- the mechanisms can be fitted directly in any flush-mounting box for dry partitions, masonry or concrete with a min. depth of 40 mm.
- the mechanisms can be fitted directly onto surface-mounting frames from the Galea Life range (7710 96, 7710 97, 7710 98).

Claw mounting:

- the mechanisms can be fitted directly in any flush-mounting box for dry partitions, masonry or concrete with a min. depth of 40 mm.

4.2 Mounting

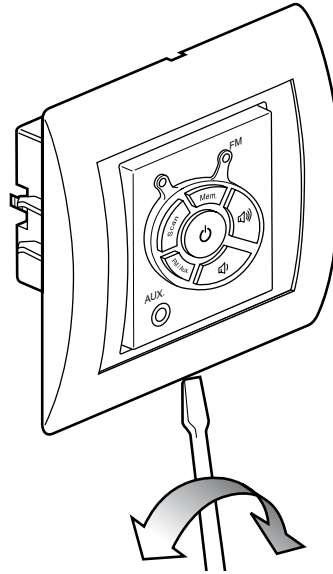


Once the flush-mounting box has been fitted, follow these steps:

- wire the tuner (following the guidelines given in the operating instructions),
- unclip the mechanism's cover plate,
- fix the support frame-mechanism assembly into the flush-mounting box or surface-mounting frame using claws or screws,
- position the frame plate (not supplied) on the support frame-mechanism assembly,
- clip on the cover plate supplied with the mechanism.

4. FITTING (cont'd)

4.3 Dismantling



Follow the steps below to dismantle the product:

- insert a flat-blade screwdriver into the notch on the plate (on the lower half of this plate, on the Legrand side),
- lever or turn the screwdriver to free the cover plate and then the mechanism plate,
- unscrew the box screws or the mechanism's claw screw to remove the product from the box,
- unscrew the mechanism's rear connections.

4.4 Finishes

Mechanisms 7756 69 and 7756 74 are fitted with a grey cover plate. Can be fitted with any Galea Life plate.

5. CONNECTION

	7756 69 Tuner	7756 74 Power supply + loudspeaker	673 22 Power supply for false ceiling
Type of screwdriver	Flat-blade (3 mm)	Flat-blade (3 mm)	Flat-blade (3 mm)
Type of terminal	Tunnel	Tunnel	Tunnel
Power supply wires - cross-section (in mm ²): Min./Max.	Min.: 1.5 Max.: 2.5	Min.: 1.5 Max.: 2.5	Min.: 1.5 Max.: 2.5
Loudspeaker wires - cross-section (in mm ²): Min./Max.	Min.: 0.25 Max.: 1	Min.: 0.25 Max.: 1	NA

Option of connecting an FM antenna to the stereo FM tuner 7756 69 using a wire with cross-section 2.5 mm².

- Max. distance of 25 m between the tuner and the loudspeaker using a 1-mm² wire.

1-zone sound distribution system

6. TECHNICAL DATA

6.1 Mechanical characteristics

- Flush-mounting products: 7756 69 and 74
Impact tests: IK 02
Penetration by solid/liquid bodies: IP 21
- Power supply for false ceiling: 673 22
Impact tests: NA
Penetration by solid/liquid bodies: IP 20

6.2 Material characteristics

Mechanism:

	7756 69 Tuner	7756 74 Power supply + loudspeaker	673 22 Power supply for false ceiling
Support frame	Zinc-plated steel	Zinc-plated steel	NA
Base	Polycarbonate RAL 7016	Polycarbonate RAL 7016	Polyamide
Central cover plate or cover	Polycarbonate RAL 7016	Polycarbonate RAL 7016	Polyamide RAL 9010
Peripheral cover plate	Polycarbonate RAL 7016	Polycarbonate RAL 7016	NA
Keys	Silicone RAL 7038	NA	NA

Marking:

	7756 69 Tuner	7756 74 Power supply + loudspeaker	673 22 Power supply for false ceiling
Support frame	Laser	Laser	NA
Base	Sticker	Sticker	NA
Cover	NA	NA	Sticker
Keys	Pad printing	NA	NA

Resistance to cleaning agents:

- Water: +
- Petrol: +
- Alcohol: +
- Soapy water: +
- Window cleaner: +

6.3 Electrical characteristics

Self-extinguishing - live parts: 850°C/30 s, others 650°C/30 s

6.4 Climatic characteristics

Storage temperature: from - 25° C to + 70° C
Operating temperature: from - 5° C to + 45° C





7. CLEANING

Clean front surfaces with a damp cloth.
Do not use harsh or corrosive products.

8. CONFORMITY - APPROVALS

Compliant with standard 50090-2-2

9. ACCESSORIES

Designation	Cat. No.	Fixing	Technical data
 2" loudspeaker (diam. 80 mm) Spot type	673 27	Strips Springs	2 W 16 ohm White
 Single socket for off-the-shelf loudspeakers	7757 84	Claws/screws	Connection of loudspeakers with an impedance of 8 or 16 ohm
 Double socket for off-the-shelf loudspeakers	7757 85	Claws/screws	Connection of loudspeakers with an impedance of 8 or 16 ohm
 Flush-mounting loudspeaker	7756 70 7756 71	Claws/screws	White/Grey Power: 2 W Impedance = 16 ohm

10. OTHER

Effect of the choice of impedance on output power level:

Impedance (ohm)	Output power level (W)	
	Mono	Stereo
16	2 x 1 W	2 x 1 W