

Hour meters flush mounting - taxxo 712 (FWZ 55 K)

Item No 05.20.0004.1 / EAN Code 4010940001582



PRODUCT DESCRIPTION

The taxxo 712 hour meter with AC intended for surface mounting is available in different voltage variants. The device operates mains synchronised within an ambient temperature of -20 °C ... + 55 °C. The meter can monitor up to 99,999.99 hours of operation. The product complies with the safety guidelines of protection class II and protection type IP20 and even protection type IP50 by using a seal. taxxo is characterised by long-life and maintenance-free technology with robust and reliable design.

APPLICATIONS

- ▶ Machinery working time control
- ▶ Pumps working time control
- ▶ Effective runtime measurement of vehicles and machinery



TECHNICAL DATA

Electrical Data

Supply voltage	AC 220-240 V ± 10% 50 Hz
Power consumption	1 VA
Accuracy	Mains synchronised

Power connection

Device	Flat connection DIN 6.3
--------	-------------------------

Display and format

Meter display	Analogue (7 digits)
	Hours

Operating conditions

Temperature (operation)	-20 °C ... +55 °C
-------------------------	-------------------

General specifications

Mounting	Installation
----------	--------------

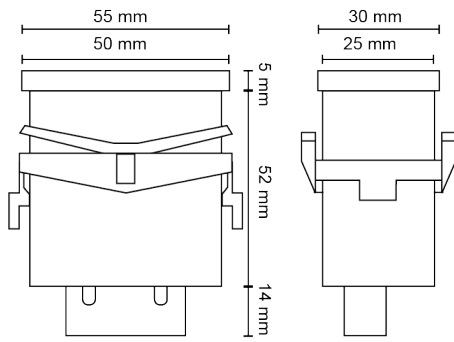
Compliance with standards

Protection type	IP20, IP50 with sealing
Protection class	II, according to corresponding mounting
Approval mark	CE, CSA, UL, VDE
Standards and guidelines	EN 60335-1, EN 60335-2-26

Scope of delivery

Housing	Catch frame
---------	-------------

DIMENSIONAL DRAWINGS



CIRCUIT DIAGRAMS

