

## HDMI Male/Male cords

Cat. No(s): 0 398 51/52/53, 0 517 32/33/34



### 1. USE

#### Cords for video transmission

Straight HDMI - HDMI (cable with multicore cords)

### 2. DESCRIPTION

The "High Speed HDMI® with Ethernet" cord is the perfect solution for connecting multimedia source devices in home theatre, desktop or commercial audio video applications requiring high speed HDMI features. The CL2 rated cable jacket is designed to meet the requirements for in-wall installations.

The Ethernet capability of the cable allows the cable to serve as network cable to connect equipment between them.

Experience the latest HDMI features including:

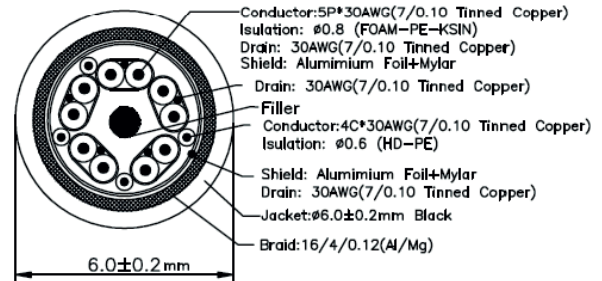
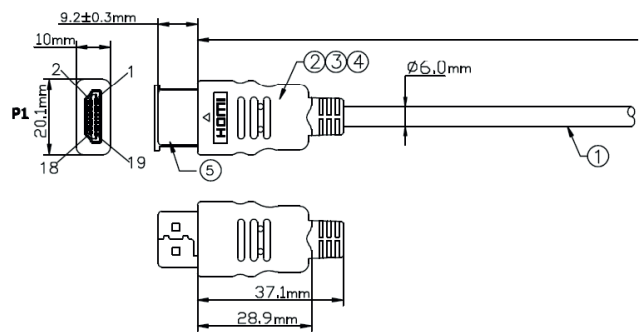
- 4K@50/60, (2160p), which is 4 times the clarity of 1080p/60 video resolution
- 3D video, Deep Colour and x.v. Colour™
- Dolby® True HD, DTS-HD Master Audio and up to 32 audio channels for a multi-dimensional immersive audio experience
- Up to 1536kHz audio sample frequency for the highest audio fidelity
- Simultaneous delivery of dual video streams to multiple users on the same screen
- Simultaneous delivery of multi-stream audio to multiple users (up to 4)
- Support for the wide angle theatrical 21:9 video aspect ratio
- Dynamic synchronization of video and audio streams
- CEC extensions for control of consumer electronics devices through a single control point

This fully-functional, high bandwidth cable is tested to perform at industry standards and is backed by a lifetime warranty.

Note: Both the source device and display must support a HDMI feature in order to pass that feature through this cable

### 3. DIMENSIONS

Cat. Nos	Length (m)
0 398 51, 0 517 32	1
0 398 52, 0 517 33	2
0 398 53, 0 517 34	3



### 4. ELECTRICAL CHARACTERISTICS

Nominal Impedance	100 $\pm$ 10 $\Omega$
Nominal Velocity of Propagation	< 1,78 ns
DC Resistance	376 $\Omega$ /km
Dielectric Strength	AC 500V 1minute
Insulation Resistance	100 $\Omega$

### 5. PHYSICAL CHARACTERISTICS

Voltage Rating	30V
Maximum Bend Radius	90,00 mm
Max Operating Temperature	80°C
Approvals	RoHS Compliant

CONDUCTOR 1(5 pairs) :	
Conductor Type	30 AWG (7/0,10)
	Tinned Copper
Insulation	Foam PE SKIN
	Red/White, Brown/White, Blue/White,
	Green/White, Black/White
	O.D. - 0,8mm
Drain Wire	30 AWG (7/0,10)
	Tinned Copper
Shield	Aluminium Foil + Mylar
	100% Coverage

CONDUCTOR 2 (4 conductors)	
Conductor Type	30 AWG (7/0,10)
	Tinned Copper
Insulation	HDPE
	Yellow, Red, Green, Purple
	O. D. - 0,6mm

OVERALL CABLE	
Drain Wire	30 AWG (7/0,10)
	Tinned Copper
Foil Shield	Aluminium Foil + Mylar
	100% Coverage
Braided Shield	16/4/0,12
	Aluminium / Magnesium
	50% Coverage
Jacket	PVC
	Black
	O.D. - 6,00 ±0,20mm

CONNECTORS	
Connector Type	HDMI® - Type A
Pin Construction	Phosphor Copper
Plating	3µm Gold
Insulation	Black LCP
Hood	45PTM PVC
	Black
Dimensions (HxWxl)	10 x 20,1 x 37,1 mm