

thermio™ essential - thermio™ essential B

Item No 04.46.0020.1 / EAN Code 4010940044961



PRODUCT DESCRIPTION

The thermio™ essential B is an analogue room thermostat of ErP class I for convenient control of the room temperature. Its simple, individual and automatic temperature control as well as its analogue technology contribute to a significant reduction in energy costs. The thermio™ essential B features a toggle switch that is used to switch the thermostat on and off. An additional mounting plate not only enables quick and easy on-wall mounting, but also contributes towards an elegant appearance.

- ▶ Easy, individual and automatic temperature control and energy conservation through analogue technology
- ▶ Increased comfort through a wide temperature control range of +10 °C to +30 °C
- ▶ Very easy to use due to the large temperature adjustment knob with a precise clearly marked dial and precise indicator markers as well as a manual ON/OFF switch
- ▶ Fast, simple and safe installation through surface mounting

APPLICATIONS

- ▶ Heating systems
- ▶ Heat pump
- ▶ Circulating pump
- ▶ Electric heating
- ▶ Motorised valves
- ▶ Actuators

TECHNICAL DATA

Electrical Data

Equipment operating voltage	AC 24 V ... 230 V 50-60 Hz
Current output	Changeover, potential free
Current capacity - ohmic load	6 A / 250 V AC
Current capacity - inductive load cos.phi 0.6	3 A / 230 V AC
Rated impulse withstand voltage (Uimp)	4 kV
Control function	Heating
Control type	2- Point (ON/OFF)
Hysteresis	±2 K ±50%
Control range	+10 °C ... +30 °C
control accuracy	±1,5 °C

Power connection

Device	Screw terminal with wire protection max. 2.5 mm ²
--------	--------------------------------------------------------------

Operating specifications

Manual switch	ON/OFF
---------------	--------

Display and format

Resolution	Temperature setpoint 1 °C
------------	---------------------------

Operating conditions

Humidity (operating)	10 % ... 90 % relative humidity, non-condensing
Humidity (storage)	10 % ... 90 % relative humidity, non-condensing
Temperature (operation)	-10 °C ... +50 °C
Temperature (storage)	-20 °C ... +45 °C

General specifications

Colour	White/Grey
Weight	159 g
Material	Thermoplastics, self-extinguishing & high-temperature resistant Plastic ABS
Dimension	74 x 74 x 28 mm
Mounting	Surface mounting (4-hole mounting on flush-mounted box)

Surface mounted
Flush mounting BS 4662
On-wall BS 5733

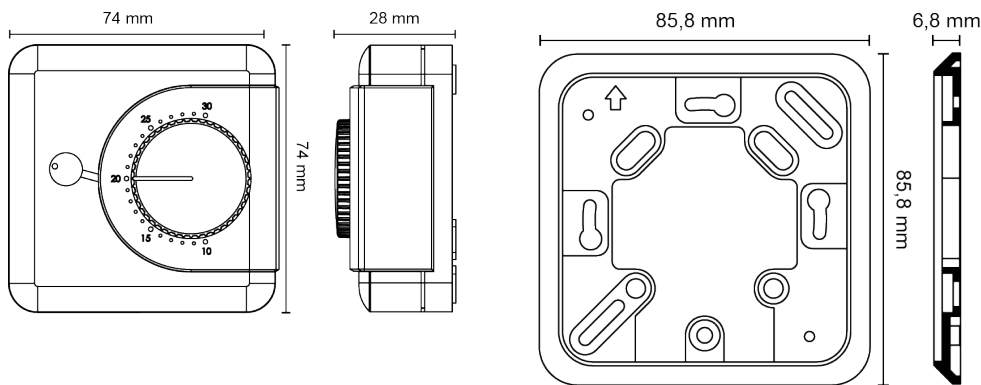
Compliance with standards

ErP class	I
ErP function	ON/OFF room thermostat
ErP Description	A room thermostat that controls the ON/OFF operation of a heater.
ErP contribution to seasonal characteristic space heating energy efficiency	1 %
Protection type	IP20
Protection class	II, according to corresponding mounting
Pollution degree	2
Approval mark	CE, Energy Saving Trust
Standards and guidelines	EN 60730-1, Mode of operation and additional properties: Type 1.B

Scope of delivery

Housing	Bezel
	Installation material

DIMENSIONAL DRAWINGS



CIRCUIT DIAGRAMS

