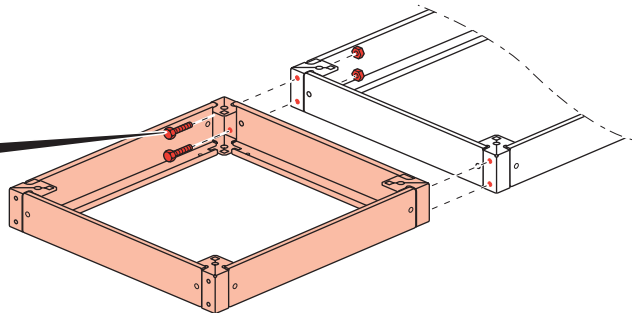
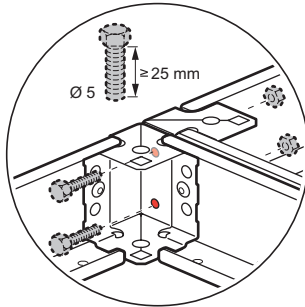
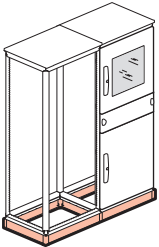
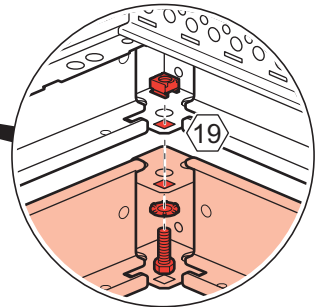
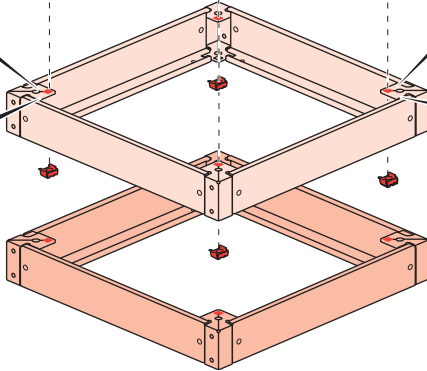
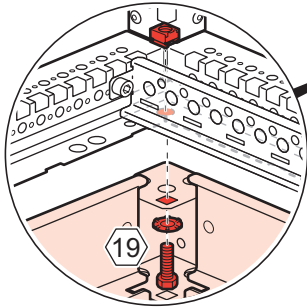
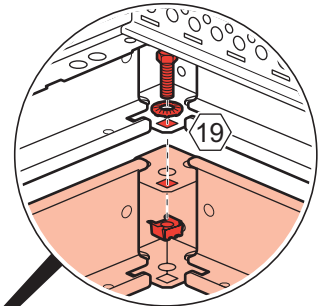
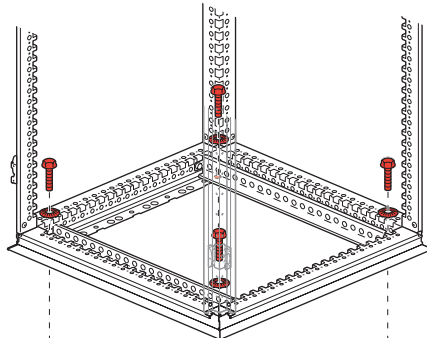
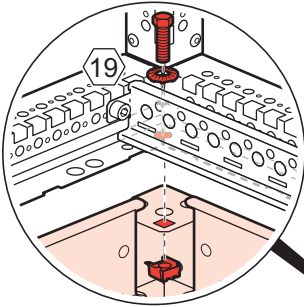
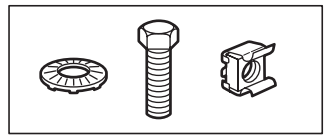
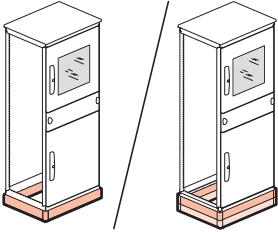
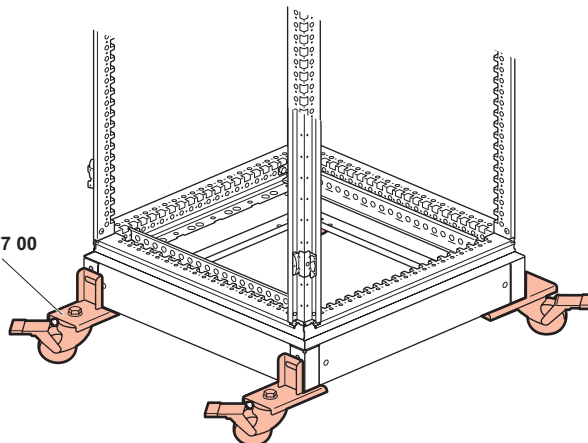


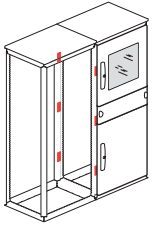
C



0 477 00



D₁

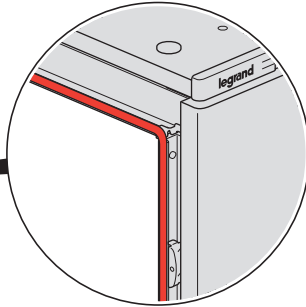
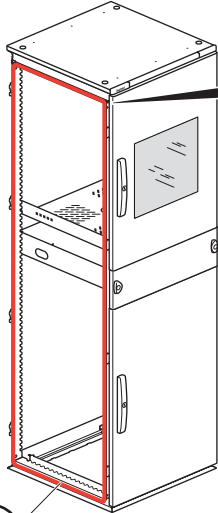


0 476 81

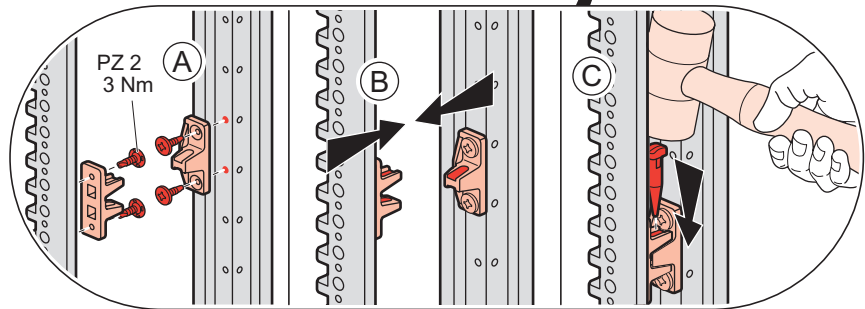
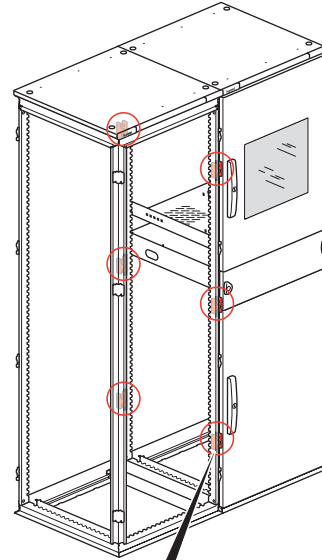
500 Kg/m³



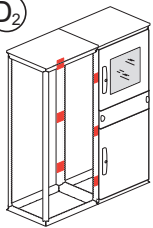
1



2

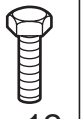
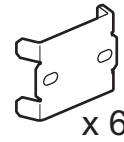


D₂

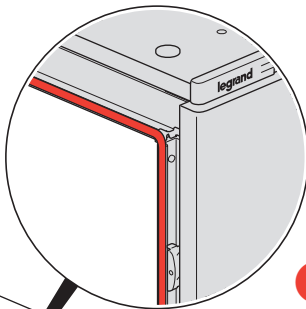
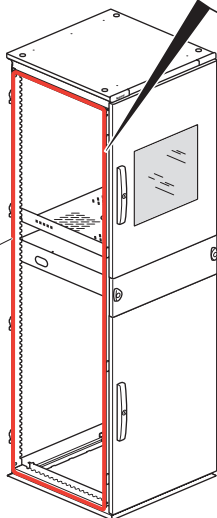


0 476 82

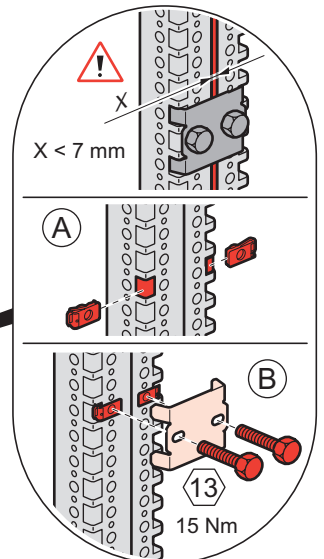
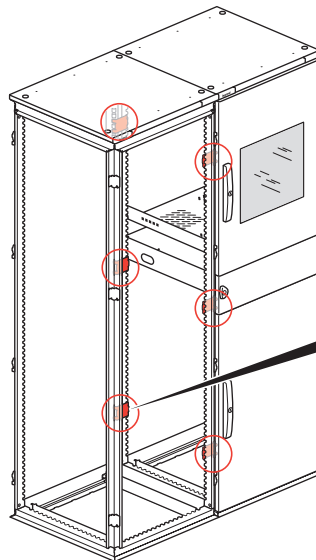
500 Kg/m³



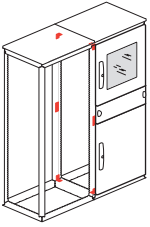
1



2

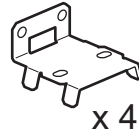


D₃



0 476 83

1000 Kg/m³



x 4



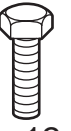
x 2



x 20

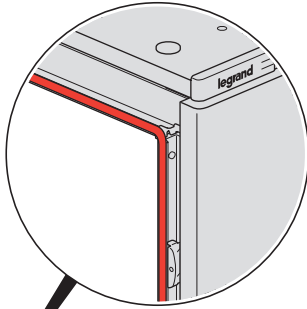


x 8

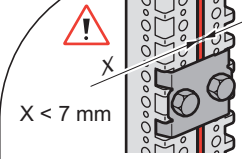
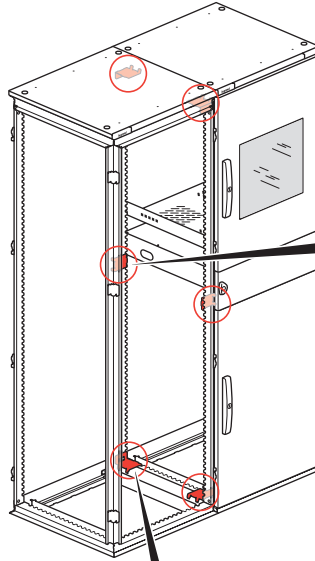


x 12

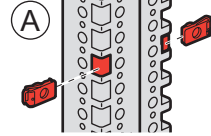
1



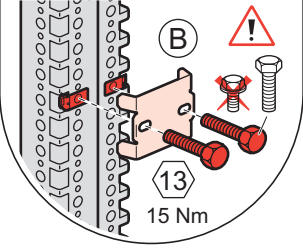
2



X < 7 mm



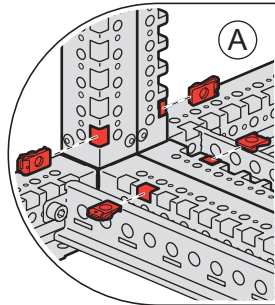
A



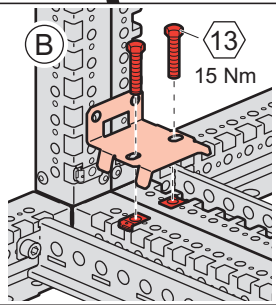
B

13

15 Nm



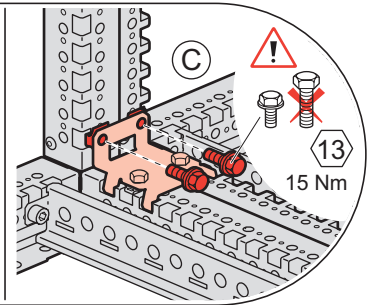
A



B

13

15 Nm

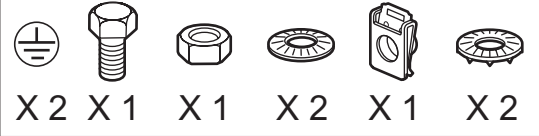
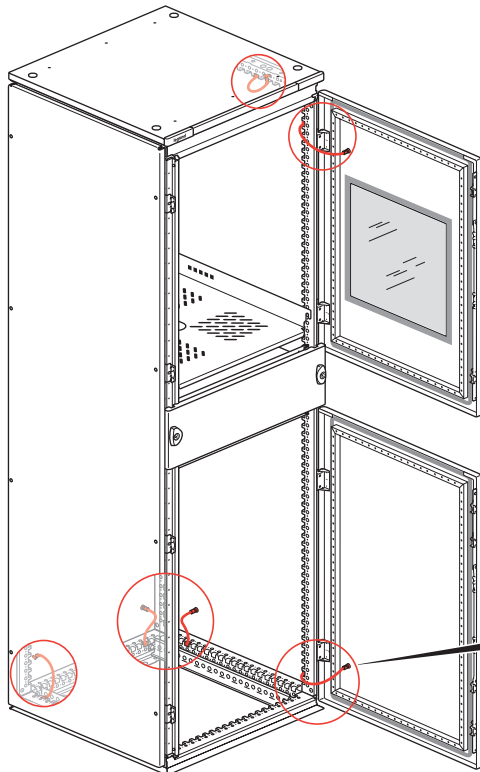
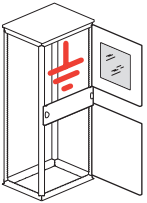


C

13

15 Nm

E



X 2



X 1



X 1



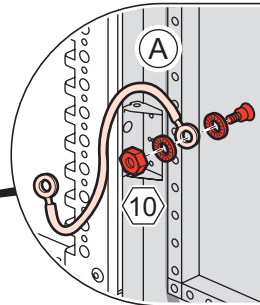
X 2



X 1

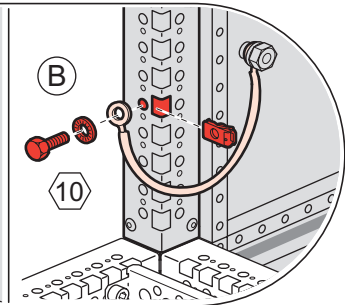


X 2



A

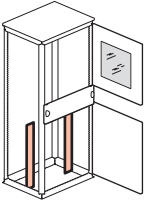
10



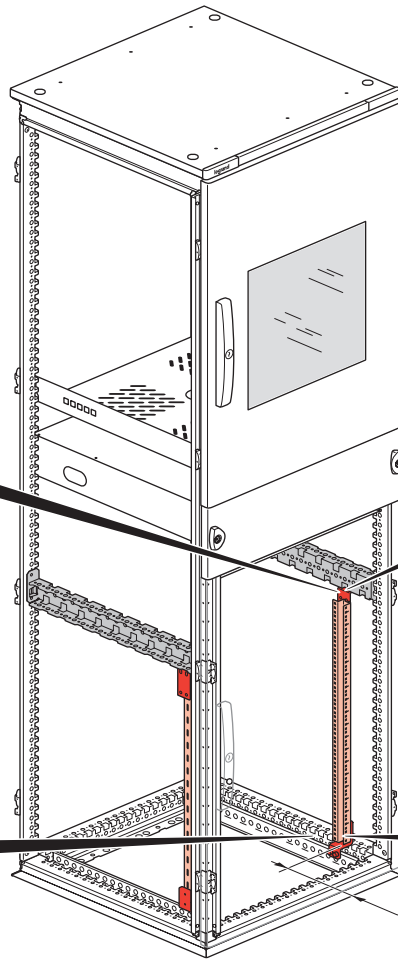
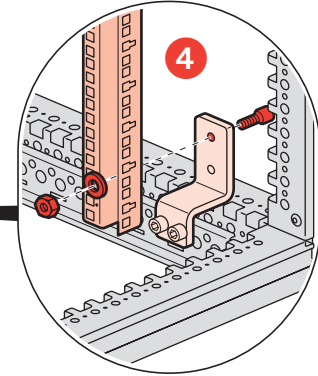
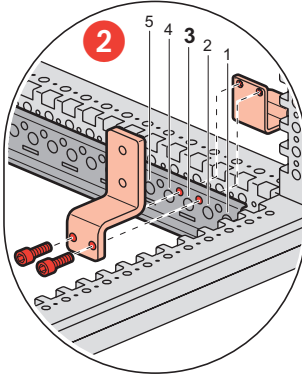
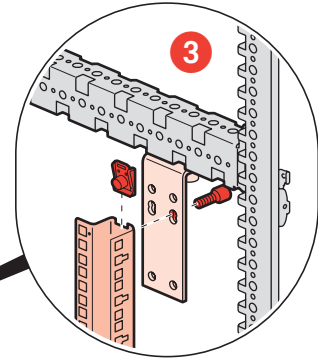
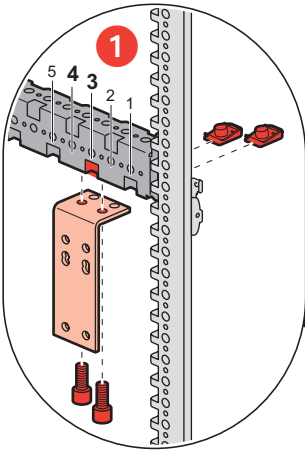
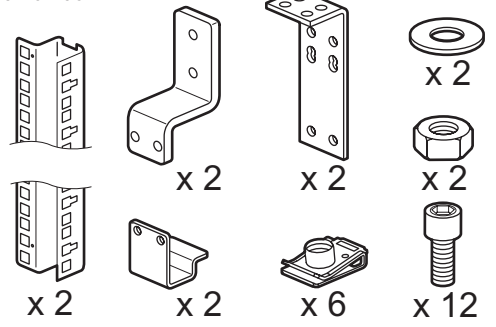
B

10

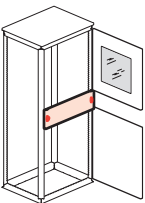
F



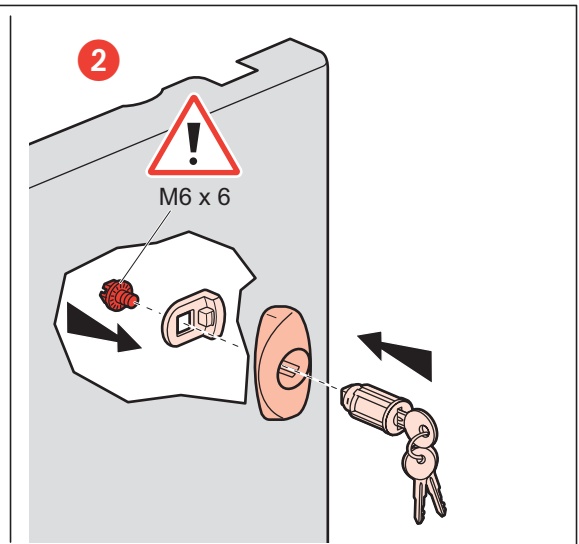
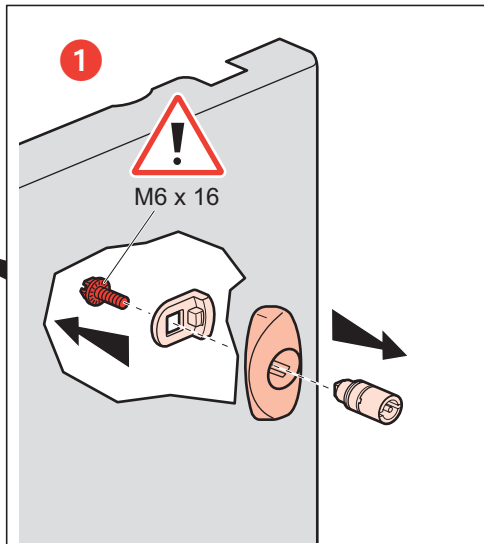
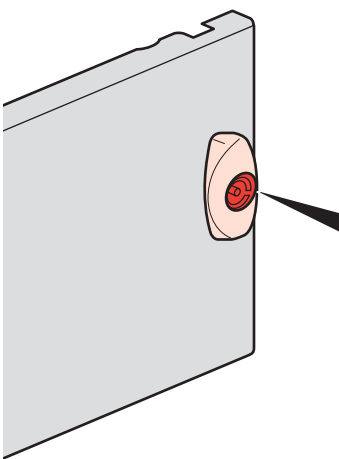
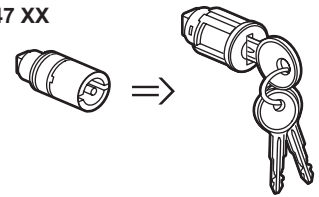
0 482 08

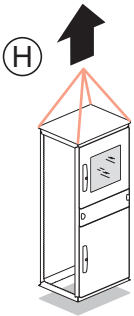


G

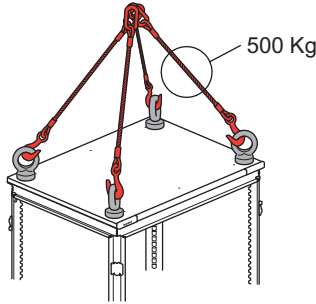
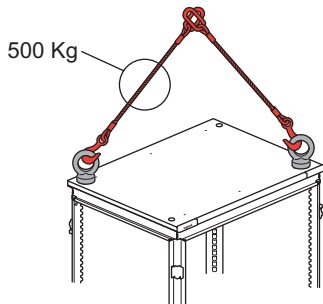
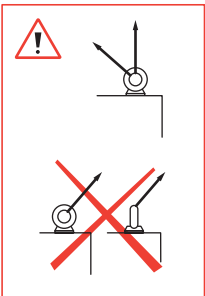
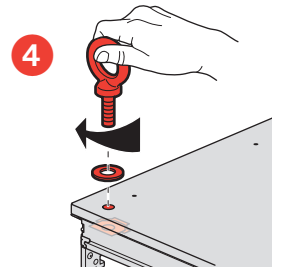
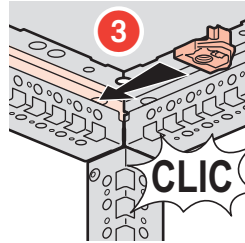
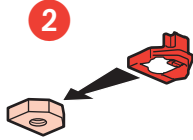
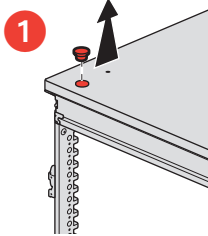
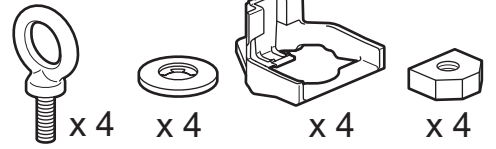


0 347 XX



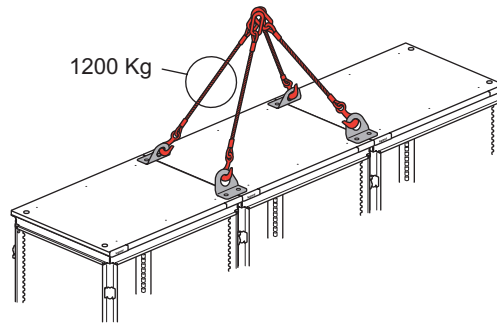
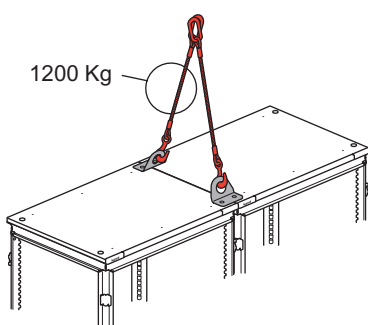
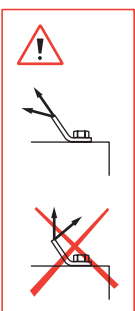
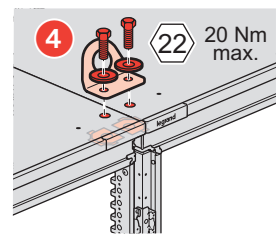
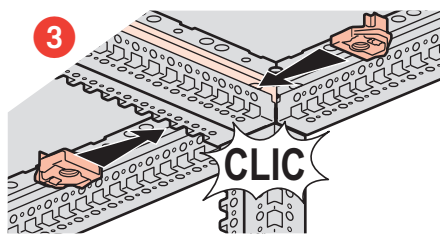
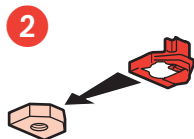
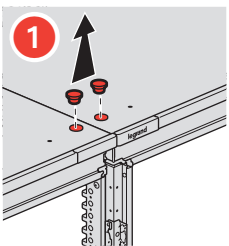
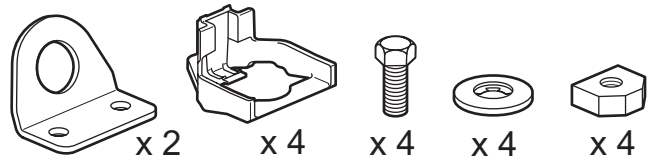


0 476 96



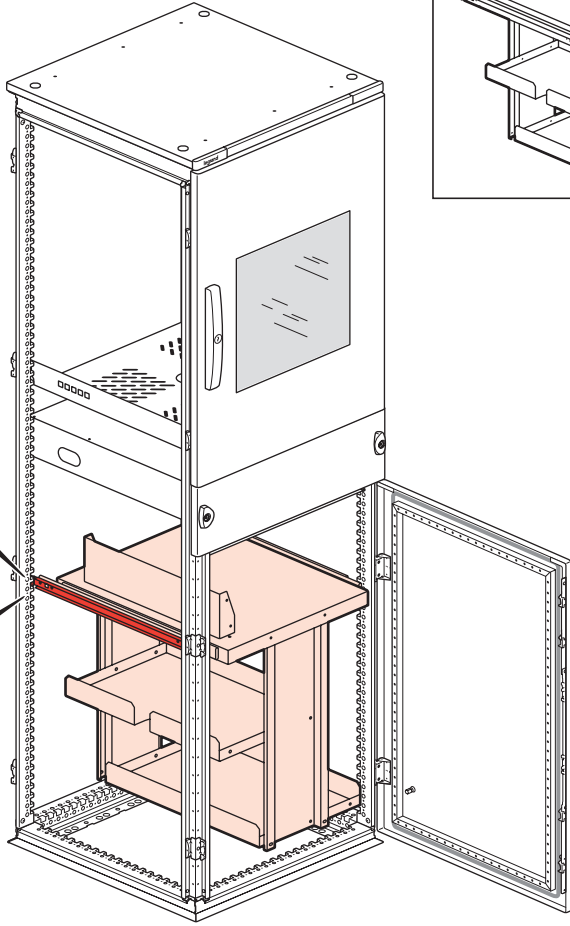
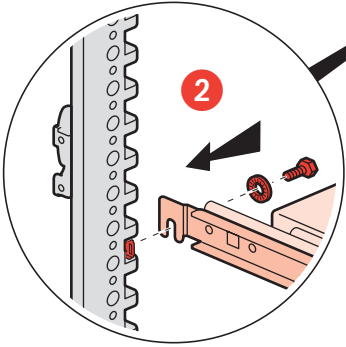
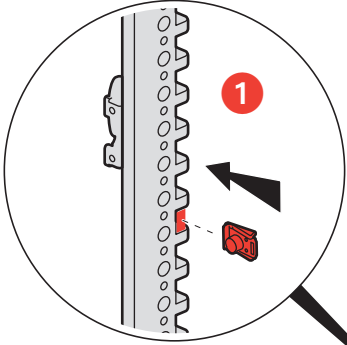
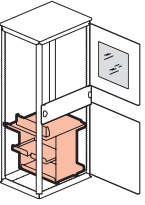
	P (Kg)	α (°)
	500	90
	600	60
	750	120
	1000	90
	1200	60

0 476 98

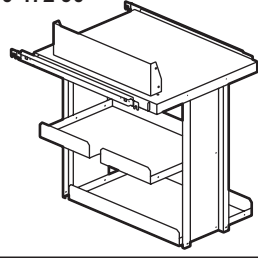


	P (Kg)	α (°)
	500	90
	600	60
	750	120
	1000	90
	1200	60

1



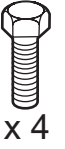
0 472 90



x 4



x 4



x 4