

Digital universal time switches - tactic 572.1 plus

Item No 03.87.0003.1 / EAN Code 4010940038045



PRODUCT DESCRIPTION

APPLICATIONS

- ▶ Machinery control
- ▶ Heating systems control
- ▶ Devices, motors and pumps control



TECHNICAL DATA

Electrical Data

Supply voltage	AC 230 V \pm 10% 50-60 Hz
Current output	Changeover, potential free
Current capacity - ohmic load	16 A / 250 V AC
Current capacity - inductive load cos.phi 0.6	2,5 A / 250 V AC
Switching capacity - minimal	100 mA / 20 V AC/DC
Load incandescent bulb	500 W
Current capacity - DC	1,3 A / 24 V DC
	0,7 A / 60 V DC
	0,3 A / 100 V DC
Power consumption	4,4 VA
Accuracy	\pm 1 Second /Day at 20 °C
Power reserve	3 years

Operating specifications

Manual switch	Automatic mode Fix ON/OFF
Channels	2
Program	Free weekday block formation Daily program (ON/OFF) Weekly program (ON/OFF)
Memory lspaces	50

Display and format

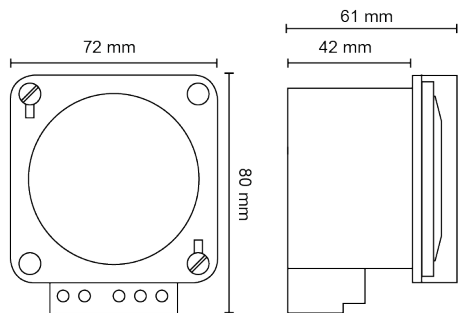
Time format	12-hour format (AM/PM) 24-hour format
Shortest switching time	ON/OFF 1 minute
Summer/winter time	Automatic summer/winter time change Can be deactivated
Clock	Digital
Status indicator	Switch position display

Operating conditions

Temperature (operation)	-10 °C ... +55 °C
-------------------------	-------------------

General specifications	
Colour	Grey
Weight	190
Dimension	68 x 68 mm control panel section
	72 x 72 mm Dimensions of front frame
	72 x 72 x 61 mm (H x B x T)
	42 mm (T) mounting depth
Languages	CS, DE, EN, ES, FR, HU, IT, PT
Compliance with standards	
Approval mark	CE
Standards and guidelines	EN 60730-1, EN 60730-2-7
Scope of delivery	
Housing	Glass
	Terminal cover 2-channel
	Base 2-channel

DIMENSIONAL DRAWINGS



CIRCUIT DIAGRAMS

