

Digital universal time switches - tactic 571.1 plus

Item No 03.87.0001.1 / EAN Code 4010940038021



PRODUCT DESCRIPTION

APPLICATIONS

- ▶ Machinery control
- ▶ Heating systems control
- ▶ Devices, motors and pumps control



TECHNICAL DATA

Electrical Data

Supply voltage	AC 230 V \pm 10% 50-60 Hz
Current output	Changeover, potential free
Current capacity - ohmic load	16 A / 250 V AC
Current capacity - inductive load cos.phi 0.6	8 A / 250 V AC
Switching capacity - minimal	100 mA / 20 V AC/DC
Load incandescent bulb	1.000 W
Current capacity - DC	1 A / 100 V DC
	3 A / 60 V DC
	10 A / 24 V DC
Power consumption	4,4 VA
Accuracy	\pm 1 Second /Day at 20 °C
Power reserve	3 years

Operating specifications

Manual switch	Automatic mode Fix ON/OFF
Channels	1
Program	Free weekday block formation Daily program (ON/OFF) Weekly program (ON/OFF)
Memory lspaces	50

Display and format

Time format	12-hour format (AM/PM) 24-hour format
Shortest switching time	ON/OFF 1 minute
Summer/winter time	Automatic summer/winter time change Can be deactivated
Clock	Digital
Status indicator	Switch position display

Operating conditions

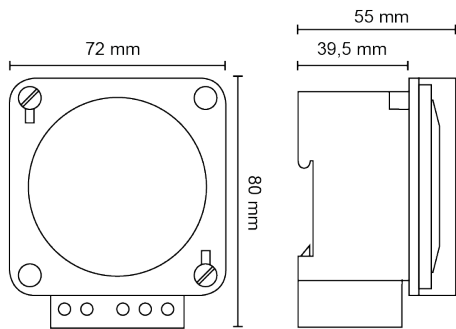
Temperature (operation)	-10 °C ... +55 °C
-------------------------	-------------------

General specifications	
Colour	Grey
Weight	170 g
Dimension	72 x 72 x 55 mm (H x B x T)
	68 x 68 mm control panel section
	39,5 mm (T) mounting depth
	72 x 72 mm Dimensions of front frame
Languages	CS, DE, EN, ES, FR, HU, IT, PT

Compliance with standards	
Approval mark	CE
Standards and guidelines	EN 60730-1, EN 60730-2-7

Scope of delivery	
Housing	Glass
	Terminal cover 1-channel
	Base 1-channel

DIMENSIONAL DRAWINGS



CIRCUIT DIAGRAMS

