

## Digital universal time switches - tactic 372.1 plus

Item No 03.62.0002.1 / EAN Code 4010940038014



### PRODUCT DESCRIPTION

#### APPLICATIONS

- ▶ Machinery control
- ▶ Heating systems control
- ▶ Devices, motors and pumps control



### TECHNICAL DATA

#### Electrical Data

Supply voltage	AC 230 V ± 10% 50-60 Hz
Current output	Changeover, potential free
Current capacity - ohmic load	16 A / 250 V AC
Current capacity - inductive load cos.φ 0.6	2,5 A / 250 V AC
Switching capacity - minimal	100 mA / 20 V AC/DC
Load incandescent bulb	500 W
Current capacity - DC	1,3 A / 24 V DC
	0,7 A / 60 V DC
	0,3 A / 100 V DC
Power consumption	4,4 VA
Accuracy	± 1 Second /Day at 20 °C
Power reserve	3 years

#### Operating specifications

Manual switch	Automatic mode Fix ON/OFF
Channels	2
Program	Set individual days or weekday block formation Menu programming with free and fixed programs Daily program (ON/OFF) Weekly program (ON/OFF)
Memory lspaces	20

#### Display and format

Time format	12-hour format (AM/PM) 24-hour format
Shortest switching time	ON/OFF 1 minute
Summer/winter time	Manual summer/winter time change
Clock	Digital
Status indicator	Switch position display

#### Operating conditions

Temperature (operation)	-10 °C ... +55 °C
-------------------------	-------------------

**General specifications**

Colour	Grey
Weight	190
Dimension	68 x 68 mm control panel section
	72 x 72 mm Dimensions of front frame
	72 x 72 x 61 mm (H x B x T)
	42 mm (T) mounting depth

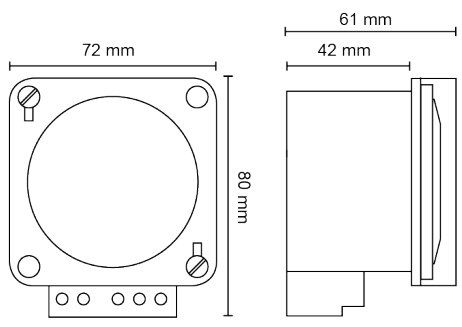
**Compliance with standards**

Approval mark	CE
Standards and guidelines	EN 60730-1, EN 60730-2-7

**Scope of delivery**

Housing	Glass
	Terminal cover 2-channel
	Catch frame 2-channel
	Base 2-channel

**DIMENSIONAL DRAWINGS**



**CIRCUIT DIAGRAMS**

