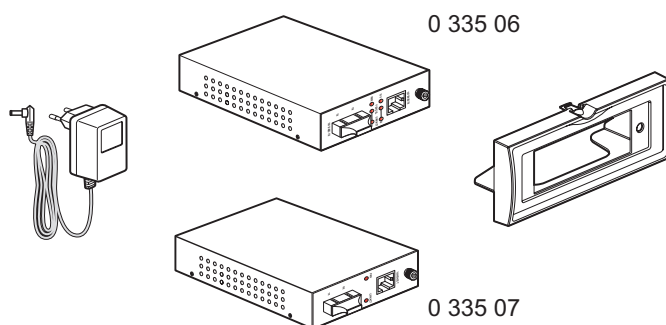


Copper/fibre optic converter 100 Mbit Copper/fibre optic converter 1 Gigabit

Catalogue number(s): 0 335 06/0 335 07



1. INTRODUCTION

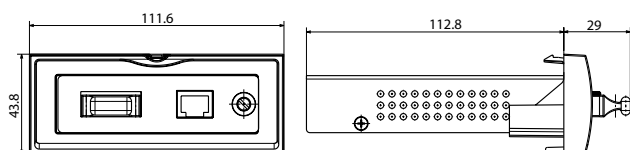
Copper/fibre optic converters are used for quick, simple conversion of copper to fibre optic and vice versa.
Clip directly onto LCS² patch panels.
Fitted with an SC fibre optic connector.

0 335 06 : 10/100 base T to 10/100 base SX and vice versa
0 335 07 : 1000 base T (Gigabit) to 1000 base SX (Gigabit) and vice versa

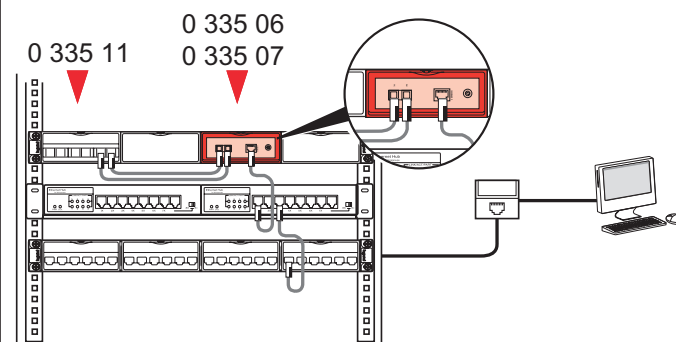
2. SELECTION CHART

Description	Cat. Nos.	Weight (g)
Copper/fibre optic converter 100 Mbit	0 335 06	1 040
Copper/fibre optic converter 1 Gigabit	0 335 07	991

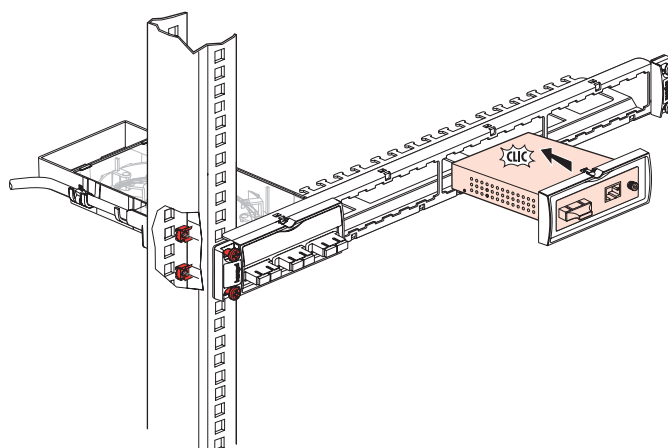
3. OVERALL DIMENSIONS



4. POSITIONING



5. INSTALLATION



Copper/fibre optic converter 100 Mbit Copper/fibre optic converter 1 Gigabit

Catalogue number(s): 0 335 06/0 335 07

6. TECHNICAL FEATURES

6.1 Electrical features

0 335 06

- Compatible with standards IEEE 802.3 10 Base-T and IEEE 802.3u 100 Base-TX/100 Base-FX
- 1 half/full-duplex, 10/100 Mbps, auto negotiation, 10/100 Base-TX RJ45 port on the TX port
- Auto-MDi/x for the 10/100 Base-TX port
- 1 100 Mbps fibre optic port with SC multimode connector
- Half/full-duplex mode selector on the fibre optic ports
- Indicator lights for power supply, link/activity, full-duplex network and speed
- Only compatible with 10/100 Mbit switches

0 335 07

- Compatible with standards IEEE 802.3ab 1000 Base-T and IEEE 802.3z 1000 Base-SX
- 1 1000 Base-T RJ45 port
- 1 1000 Base-SX port with SC connector
- Indicator lights for power supply, link/activity
- Only compatible with 1 Gigabit switches

	0 335 06	0 335 07
Standards	IEEE 802.3 10 Base-T IEEE 802.3u 100 Base-TX and 100 Base-FX	IEEE 802.3ab 1000 Base-T and IEEE 802.3z 1000 Base-SX
Frame size supported	Standard Ethernet up to 1522 bytes	No limit (standard Ethernet and extended frame)
Network cable	100 Base-TX: cat.5 EIA/TIA-568 100 ohm UTP/STP (max 100 metres) 100 Base-FX: 50/125 or 25.5/125 µm multi- mode fibre optic cable, up to 2 km	1000 Base-T: cat.5 EIA/TIA-568 100 ohm UTP/STP (max 100 metres) 1000 Base-SX: 50/125 µm multimode fibre optic cable up to 550 metres, or 62.5/125 µm multimode fibre optic cable up to 220 metres
Wavelength	1,300 nm	850 nm
Protocol	Ethernet CSMA/CD	
Ports	1 port 10/100 base-TX 1 port 100 base-FX	1 port 1000 base-T 1 port 1000 base-SX
Data transfer rate	100 Mbps (Half-Duplex) 200 Mbps (Full-Duplex)	1000 Mbps
Diagnostic indicator light	Power supply, Link/Activity	
Sector adaptor	7.5 VDC/1.5 A (7.2 Watts maximum)	
Temperature	Operation: 0° to + 40°C storage: -25° to + 70°C	
Humidity	Operation: between 10 and 90% storage: between 5 and 90% no condensation	