

Analogues DIN rail time switches - talento 271

Item No 02.28.0004.1 / EAN Code 4010940020729



PRODUCT DESCRIPTION

APPLICATIONS

- ▶ Advertising lighting
- ▶ Show window lighting
- ▶ Water treatment
- ▶ Pump control



TECHNICAL DATA

Electrical Data

Supply voltage	DC 130 V
	AC 230 V \pm 10% 50-60 Hz
Current output	Changeover, potential free
Current capacity - ohmic load	16 A / 250 V AC
Current capacity - inductive load $\cos.\phi$ 0.6	4 A / 250 V AC
Load incandescent bulb	1.350 W
Power consumption	1 VA
Accuracy	\pm 2,5 Second /Day at 20 °C
Power reserve	> 150 Hours

Power connection

Device	Screw terminal with wire protection max. 4 mm ²
	Captive latching screw

Operating specifications

Manual switch	Automatic mode
	Fix ON/OFF
Channels	1
Tempering protection	Lead-sealable
Program	Weekly program (ON/OFF)

Display and format

Shortest switching time	ON/OFF 3 hours
Clock	Analogue hands

Operating conditions

Temperature (operation)	-20 °C ... +55 °C
-------------------------	-------------------

General specifications

Number of modules	3
Colour	Grey
Weight	170 g
Dimension	45 x 52,5 x 60 mm

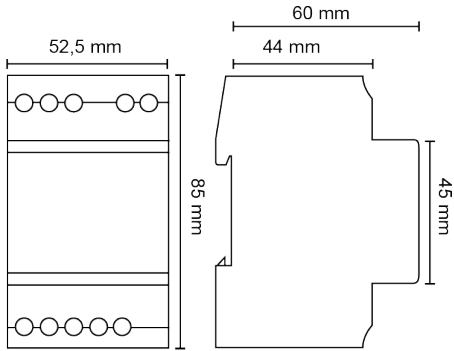
Mounting

DIN rail

Compliance with standards

Protection type	IP20
Protection class	II, according to corresponding mounting
Approval mark	CE, VDE
Standards and guidelines	EN 60730-1, EN 60730-2-7

DIMENSIONAL DRAWINGS



CIRCUIT DIAGRAMS

