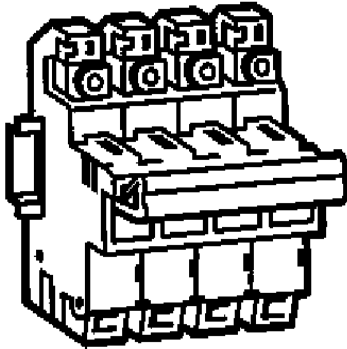


## SP isolating fuse carriers with protected terminals

Catalogue Number(s): 0 214 00 to 45 / 0 215 00 to 36  
 0 216 00 to 36



CONTENTS	Page
1. Principle.....	1
2. Mounting.....	1
3. Dimensions.....	1
4. Materials .....	1
5. Standards .....	1
6. Electrical characteristics.....	1
7. Protection index.....	2
8. Temperature.....	2
9. Derating.....	2
10. Positioning.....	2
11. Installation.....	2
12. Accessories.....	3

### 1. PRINCIPLE

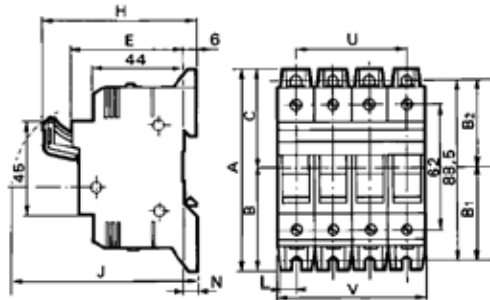
Isolating fuse carriers for isolation and protection of electrical circuits

### 2. MOUNTING

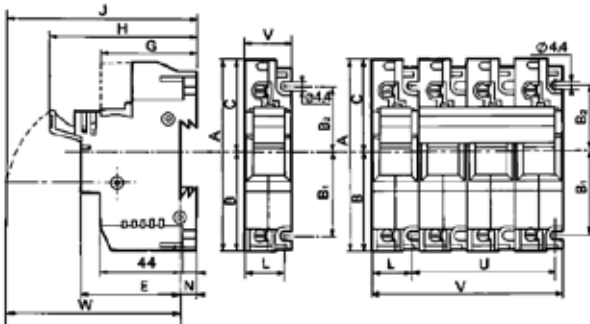
- screw
- on symmetrical rail: 35x7.5 or 35x15 EN 60715

### 3. DIMENSIONS

- SP 38 with protected terminals and SP 38 for motor starter protection



- SP 51 and SP 58 with protected terminals



	A mm	B mm	B1 mm	B2 mm	C mm	E mm	G mm	H 1-pole mm	H multi mm	J 1-pole mm
SP 38	100	51	46	42.5	48.5	52	-	73	76	83
SP 51	106	54.5	45	35	51.5	55	53	81	84	96
SP 58	140	74	65	45	66	59	53	87	90	111

	J multi	L mm	N mm	U 2-pole mm	U 3-pole mm	U 4-pole mm	V 1-pole mm	V 2-pole mm	V 3-pole mm	V 4-pole mm	W multi mm	W 1-pole mm
SP 38	86	9	6	17.7	35.4	53.1	17.7	35.4	53.1	70.8	77	80
SP 51	99	20.7	9	26.5	53	79.5	26.5	53	79.5	106	87	90
SP 58	114	27	9	36	72	108	36	72	108	144	101	109

### 4. MATERIALS

Screws	: Zinc dichromate electroplated steel
Contacts	: Silver-plated copper
Springs	: Tinned piano wire
Body	: Polyamide 6
Filler	: Mineral
Density	: 1.48 g/cm <sup>3</sup>
UV resistance	: Good
Colour	: Grey RAL 7035
VICAT softening point (B)	: 180°C
Dielectric strength	: 95,000 V/mm
Surface resistance	: ITC 500
Glow wire	: 960°C/5 s (NF C 20-455) - V0 (UL 94)
Oxygen index	: 39.50

### 5. STANDARDS

NF C 63-210-211 - NF C 60-200 - IEC 60269-1, 60269-2, 60269-2-1  
 Bureau Veritas approval:

- No. 2631/5347/C0/0 for SP 38
- No. 2631/5348/C0/0 for SP 51
- No. 2631/5349/C0/0 for SP 58

Utilisation category according to IEC 60947-3: AC 21 at In (cos φ > 0.9)

### 6. ELECTRICAL CHARACTERISTICS

- Fuse cartridges used

SP 38	SP 51	SP 58
10 x 38 gG or aM class with or without indicator	14 x 51 gG or aM class with or without striker	22 x 58 gG or aM class with or without striker

- Nominal rating

20 A	40 A	80 A
25 A in intermittent duty	50 A in intermittent duty	100 A in intermittent duty

• **Maximum dissipated power**

SP 38	SP 51	SP 58
3 W	5 W	9.5 W

• **Maximum fuse cartridge rating depending on the voltage**

	SP 38	SP 51	SP 58
400 V	32 A	50 A	125 A
500 V	20 A	40 A	80 A
690 V	-	25 A	50 A

• **Other characteristics**

Nominal frequency	50/60 Hz
DC	48 V max.
Overvoltage level	6 kV
Dielectric strength	4 kV (50 Hz)
Degree of pollution	3

**7. PROTECTION INDEX - IP 2X**

IP 2xC under faceplate (live parts inaccessible with unit in open or closed position)

**8. TEMPERATURE (ENVIRONMENTAL CONDITIONS)**

Operating temperature : -5°C to +40°C (internal/external)  
Storage temperature : -25°C to +70°C

**9. DERATING**

It may be necessary to derate the equipment in harsh operating conditions:

• For an ambient temperature greater than 35°C: derate the fuse by one rating for every 10°C (IEC 60943 guidance concerning permissible temperature rise)

• For units installed side-by-side operating simultaneously

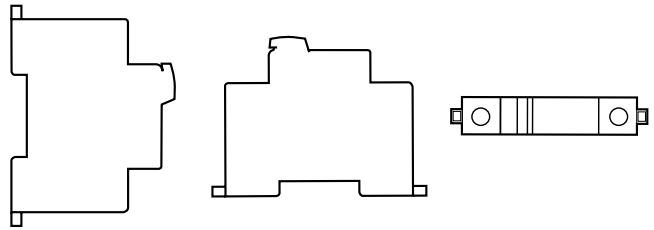
Apply the correct coefficient to the nominal current of the base unit:

Number of poles side-by-side	Coefficient
1, 2 or 3 poles	1
4, 5 or 6 poles	0.8
7, 8 or 9 poles	0.7
10 or more poles	0.6

(NF C 63-421/EN 60439-1) - Table 1

• For continuous duty (more than 8 hours/day): it may be necessary to derate the base units by one size

**10. POSITIONING**



Vertical

Horizontal

Sideways

Subject to the use of Legrand brand fuses.  
Power supply via the top or bottom

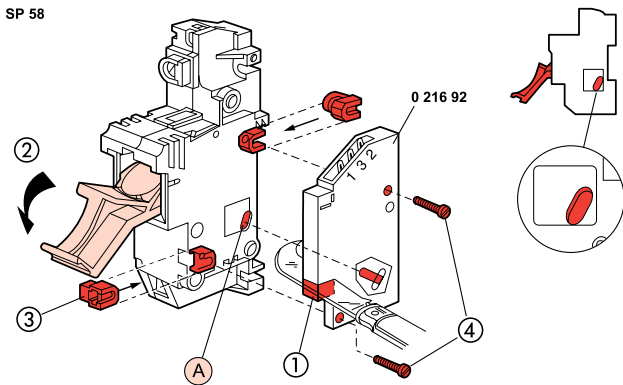
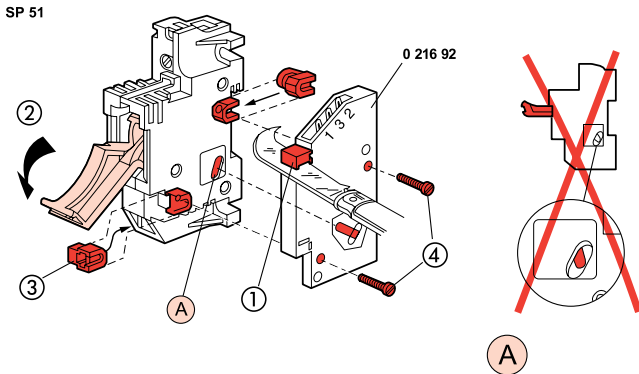
**11. INSTALLATION**

	SP 38 0 214 00 to 0 214 05	SP 51 0 215 00 to 0 215 36	SP 58 216 00 to 216 36
Connection	1 x 16 mm <sup>2</sup> or 2 x 10 mm <sup>2</sup>	1 x 35 mm <sup>2</sup> or 2 x 16 mm <sup>2</sup>	1 x 50 mm <sup>2</sup> or 2 x 25 mm <sup>2</sup>
Permissible conductors: - flexible with end caps - flexible - rigid	1.5 to 10 mm <sup>2</sup>	2.5 to 16 mm <sup>2</sup>	4 to 25 mm <sup>2</sup>
	1.5 to 10 mm <sup>2</sup>	2.5 to 16 mm <sup>2</sup>	4 to 25 mm <sup>2</sup>
	1.5 to 16 mm <sup>2</sup>	2.5 to 20 mm <sup>2</sup>	4 to 30 mm <sup>2</sup>
Screws	1 x M5 mixed head (slotted + cross-head)	1 x M5 mixed head (slotted + cross-head)	1 x M6 mixed head (slotted + cross-head)
Tools required: - flat-blade screwdriver - Phillips screwdriver	Ø 4 to 5.5 mm  PZ2	Ø 5 to 5.5 mm  PZ2	Ø 5 to 6.5 mm  PZ2
	Recommended tightening torque	2 Nm	3 Nm

**12. ACCESSORIES**

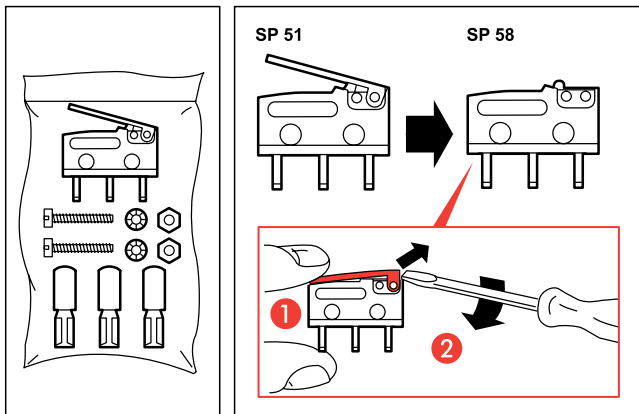
- **0 216 92** Changeover microswitch (5 A - 250 V)

For detection of open fuse carrier  
Side mounting for SP 51 and SP 58



- **0 216 95**

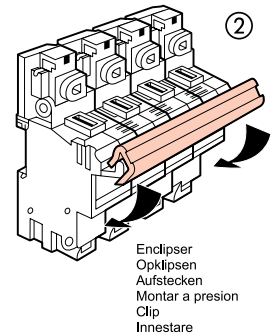
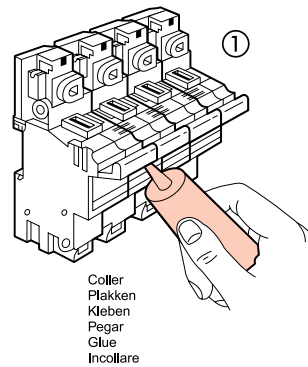
Replacement microswitch for SP 51 and SP 58



- **0 216 96**

Link handles for SP 38 - SP 51 - SP 58 (can be cut to size)  
Length: 300 mm

	10.3 x 38	x = 35 mm	x = 72 mm
	14 x 51	x = 44 mm	x = 96 mm
	22 x 58	x = 62 mm	x = 133 mm



- **0 216 98**

Securing plate  
For locking SP 51 - SP 58 multipole fuse carriers in the open position using padlock Cat. No. 227 97

