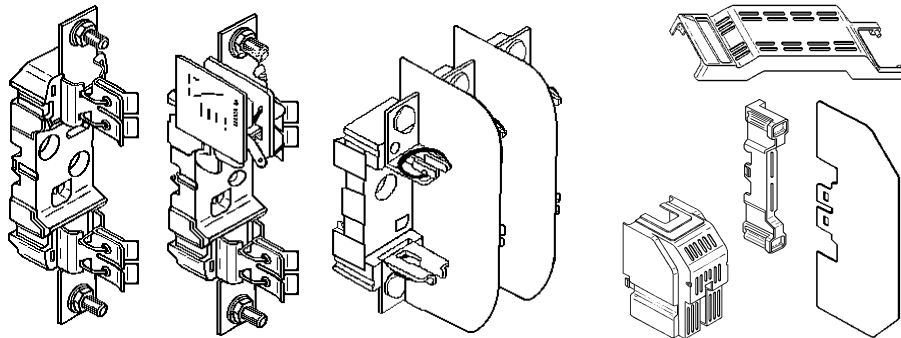


Bases for industrial blade-type cartridge fuses

Catalogue number(s):
 0 199 02/19/30/31/32/33/35/36/37/38/39/42/43/44/45/46/48/50,
 0 199 47/49/51/52/53



CONTENTS	PAGES
1. Description and usage.....	1
2. Compliance.	1
3. Range and characteristics.....	1
4. Accessories.....	4

1. DESCRIPTION AND USAGE

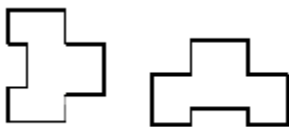
NH bases for blade-type cartridge fuses
 Material: Polyamide for sizes 00 to 3
 Bakelite for size 4

Contact springs in silver-plated copper.
 Conductor connection is done by bolting according to the table below:

Size of base	Bolting
000/00/0	M8
1/2	M10
3/4	M12

Bases sizes 00 to 3 can be mounted on DIN Rail or by screws.
 Base size 4 can only be mounted by screws.

Base positioning: horizontal or vertical



2. COMPLIANCE

Comply with IEC 60269 and VDE 0636-21

3. RANGE AND CHARACTERISTICS

3.1 Rated currents:

Size	Current (A)	1 pole		3 poles
		Without miniswitch	With miniswitch	Without miniswitch
000/00	100A	0 199 42 (1)	-	0 199 43 0 199 45
	160 A	0 199 44 (1)	-	
0	160	0 199 46	0 199 47	To be made up with joining accessories
1	250	0 199 48	0 199 49	
2	400	0 199 50	0 199 51	
3	630	-	0 199 52	
4	1250	-	0 199 53	

(1) Supplied with 2 insulating shields

3.2 Rated voltage:

Cartridge fuses accepted up to 690 VAC and 440 VDC

3.3 Rated insulation voltage:

690VAC

3.4 Other characteristics:

Size	Operating frequency	Power dissipation
000/00	45 to 62 Hz	12 W
0	45 to 62 Hz	25 W
1	45 to 62 Hz	32 W
2	45 to 62 Hz	45 W
3	45 to 62 Hz	60 W
4	45 to 62 Hz	110 W

Pollution degree : 3

Dielectric strength: 2,5 Kv-1 min

Storage temperature min/max :-25°C/+80°C

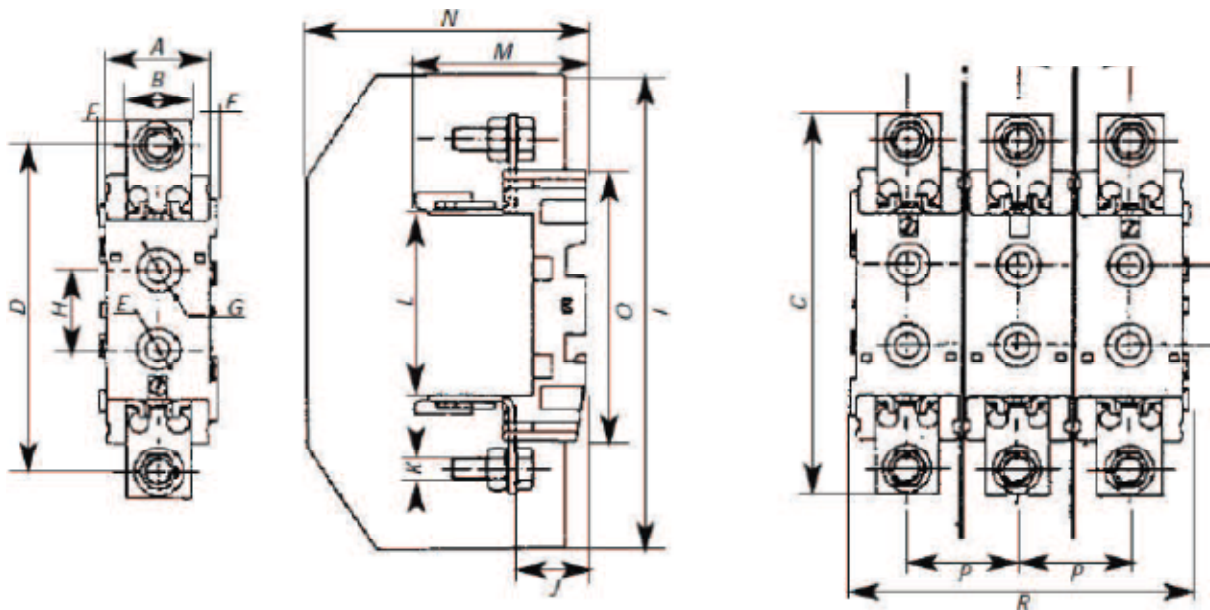
Bases for industrial blade-type cartridge fuses

Catalogue number(s):
 0 199 02 / 19 / 30 / 31 / 32 / 33 / 35 / 36 / 37 / 38 / 39 / 42 / 43 / 44 / 45 /
 46 / 48 / 50 / 0 199 47 / 49 / 51 / 52 / 53

3.5 DIMENSIONS (in mm)

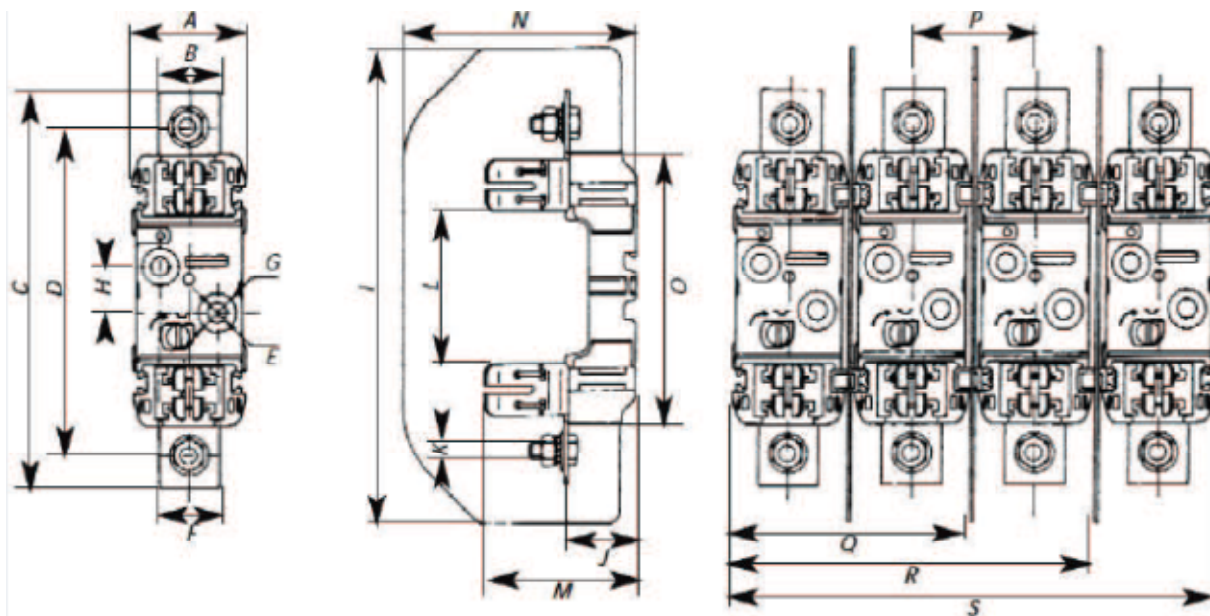
3.5.1 Bases without Miniswitch:

Size 000/00:



A	B	C	D	E	F	G	H	I	J	K	L	M	N	O	P	R
32	20	117	100	8	2	14	25	145	21.5	8	56	52	85	84	34	104

Sizes 0 to 2:



Size	A	B	C	D	E	F	G	H	I	J	K	L	M	N	O	P	Q	R	S
0	46	20	168	150.5	7.5	Na	14.5	25	185	29	M8	74	59	95	122	48.5	94	142	190
1	60	32	209	176	10.5	30	20.5	25	250	35	M10	81	71	122.5	146	65.5	125.5	191	256.5
2	60	35	225	201	10.5	30	20.5	25	250	35	M10	81	89	122.5	146	65.5	125.5	191	256.5

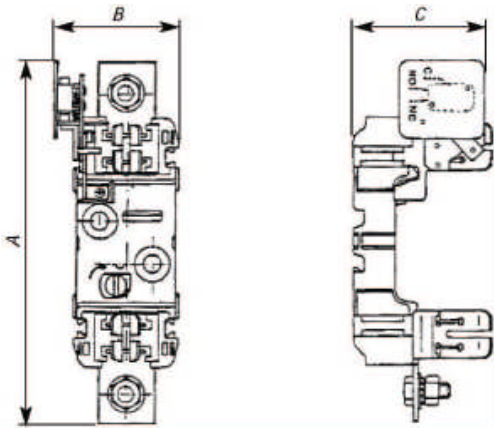
Bases for industrial blade-type cartridge fuses

Catalogue number(s):

0 199 02 / 19 / 30 / 31 / 32 / 33 / 35 / 36 / 37 / 38 / 39 / 42 / 43 / 44 / 45 / 46 / 48 / 50 / 0 199 47 / 49 / 51 / 52 / 53

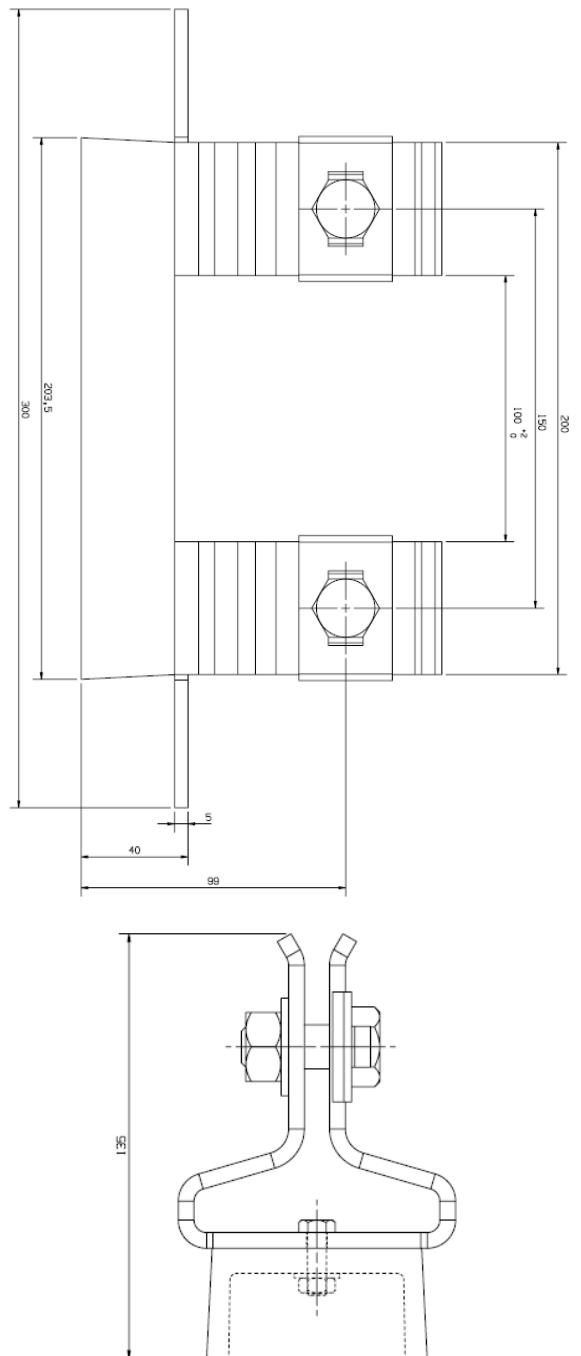
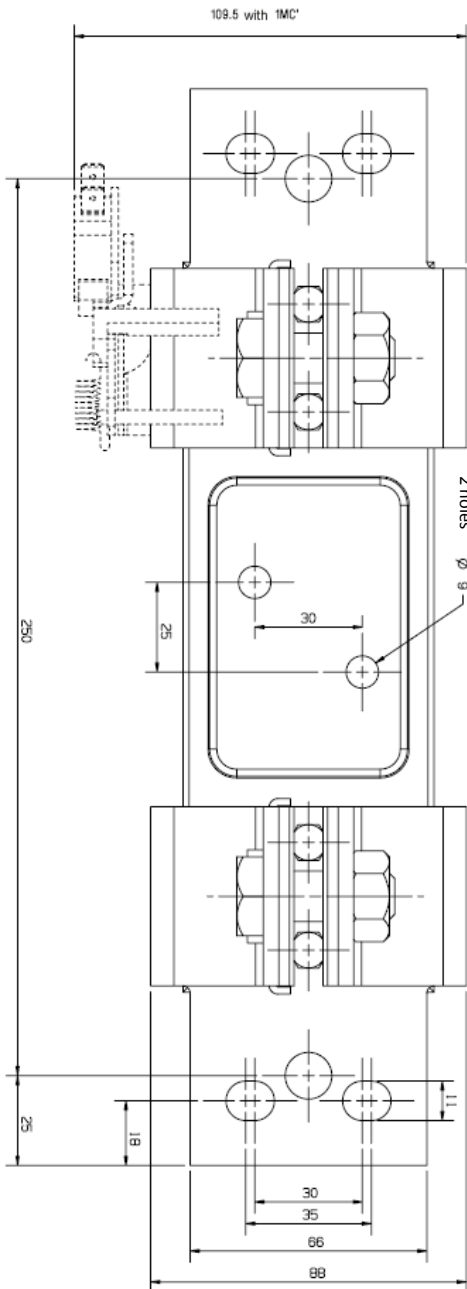
3.5.2 Bases with Miniswitch:

Sizes 0 to 3:



Size	A	B	C
0	192	64	66
1	213	93	77
2	222	73	82
3	233	80	83

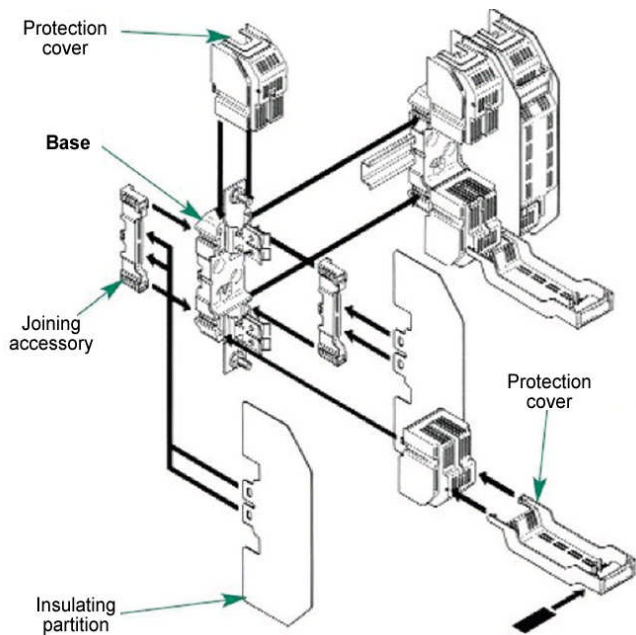
Size 4:



Bases for industrial blade-type cartridge fuses

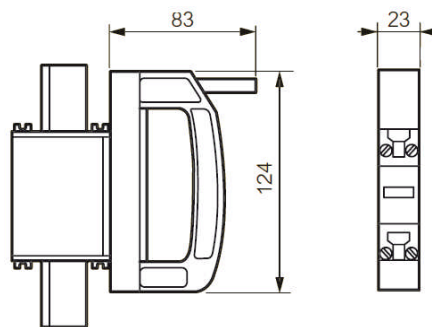
Catalogue number(s):
0 199 02 / 19 / 30 / 31 / 32 / 33 / 35 / 36 / 37 / 38 / 39 / 42 / 43 / 44 / 45 / 46 / 48 / 50 / 0 199 47 / 49 / 51 / 52 / 53

4. ACCESSORIES



- Handle cat. no.: 0 199 02

(in mm)



Materials :

- Partitions : Phenolic composite
- Cover : Polycarbonate
- Joining accessories : PA6GF
- Covers for terminals : PA6GF

- Partition kit and joining accessories

Enables joining of 1P bases together and/or making electrical separation between poles.

Cat. No.	For base size	No. of partitions	No. of joining accessories
0 199 30 (2)	000/00	2	0
0 199 31	0	2	2
0 199 32	1/2	2	2
0 199 33	3	2	2
0 199 19 (2)	4	1	0

(2) Without joining accessories: Direct mounting of partitions on the base for size 00 and mounting at the bottom of the enclosure for size 4

- Protection kit:

Protection against accidental contact. Kits comprising partitions, joining accessories and protection covers for terminals and fuses.

For 1 pole bases:

Cat. No.	For base size	No. of partitions	No. of joining accessories	No. of terminal protection covers	No. of fuse protection covers
0 199 35 (2)	000/00	2	0	1	2
0 199 36	0	2	2	1	2
0 199 37	1	2	2	1	2
0 199 38	2	2	2	1	2

For 3 pole bases:

Cat. No.	For base size	No. of partitions	No. of joining accessories	No. of terminal protection covers	No. of fuse protection covers
0 199 39 (2)	000/00	2	0	6	3