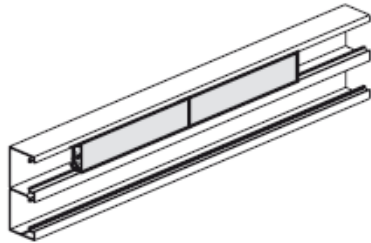


Cover 45 LED SYSTEM

Number(s) : 0 190 86/87/88/99



CONTENTS

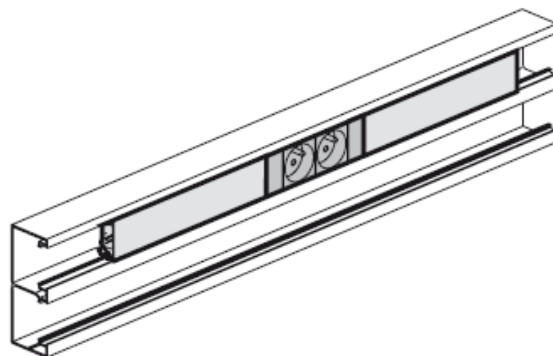
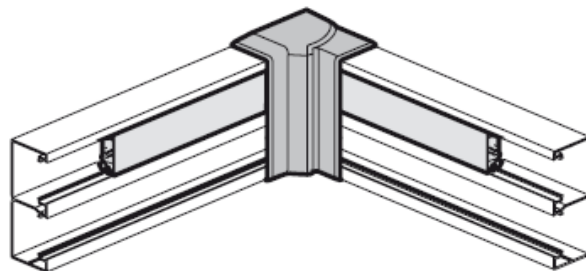
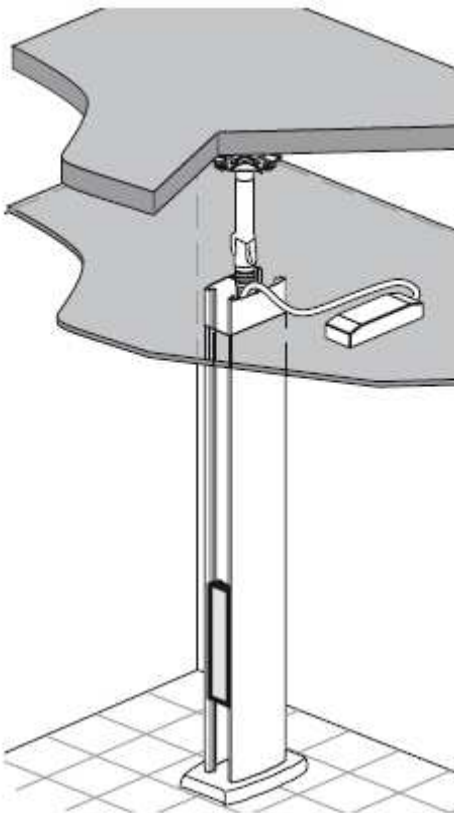
	PAGES
1 Cover 45 LED	1 to 2
2 Applications	2
3 Technical characteristics	3 to 7
4 Material characteristics	7

1. COVER 45 LED

Cover 45mm with LED system integrated, allows permitting the lighting of your offices, or any other establishment.

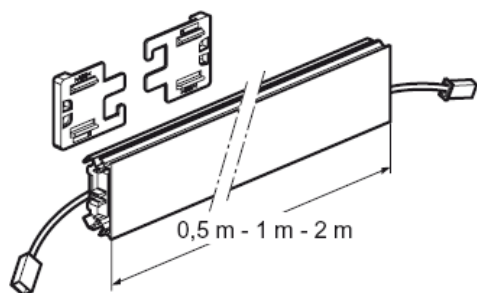
References	Designation
0 190 86	COVER 45 LED SYSTEM WHITE L = 0,5m
0 190 87	COVER 45 LED SYSTEM WHITE L = 1m
0 190 88	COVER 45 LED SYSTEM WHITE L = 2m
0 190 99	COVER 45 LED SYSTEM RED/GREEN L = 0,5m

To fix on Full aluminium columns or Snap-on aluminium trunking.



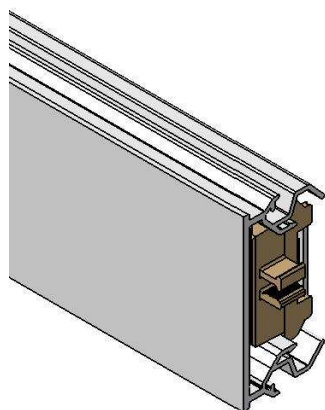
1. COVER 45 LED (suite)

LED system 45mm, 24V – 4.8W/m

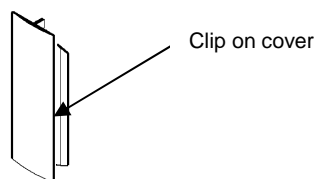


Cover 45 in PC.
Easy to install on snap-on trunking aluminium or PVC and columns
Delivered in length of 0.5, 1 or 2m.

Dimensions in mm : 45x22mm



Cover joint ref: 6 380 00



White color.

Allows:

- the junction end to end of two covers
- respect of the degree protection
- to improve aesthetics (covering of the cut)

Assembly of the joint by clipsage

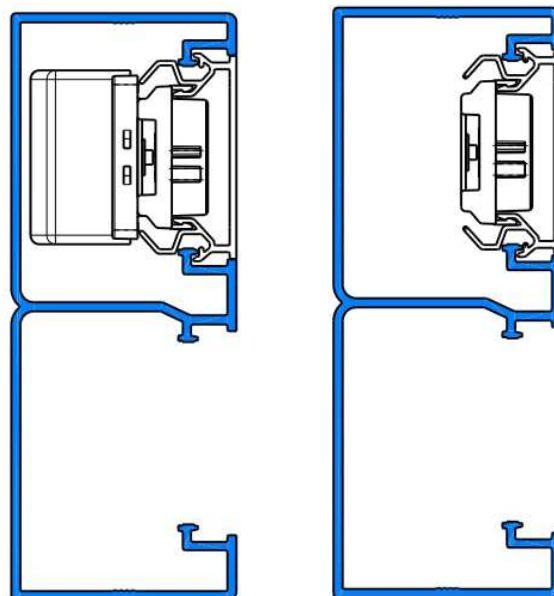
Pack by 10

Cover joint	Sections	Pack
6 380 00	Cover 45mm	10

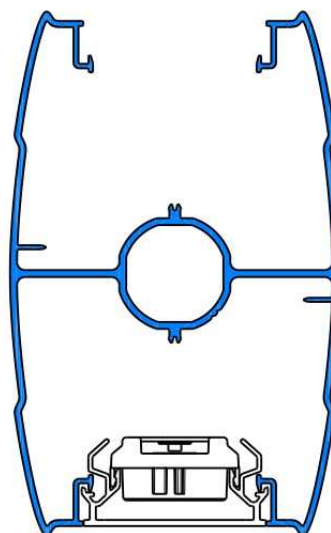
2. APPLICATIONS

Ce couvercle permet le balisage de vos goulottes Aluminium à clippage direct ou colonnes à clippage direct LG.

On snap-on trunking PVC or aluminium:

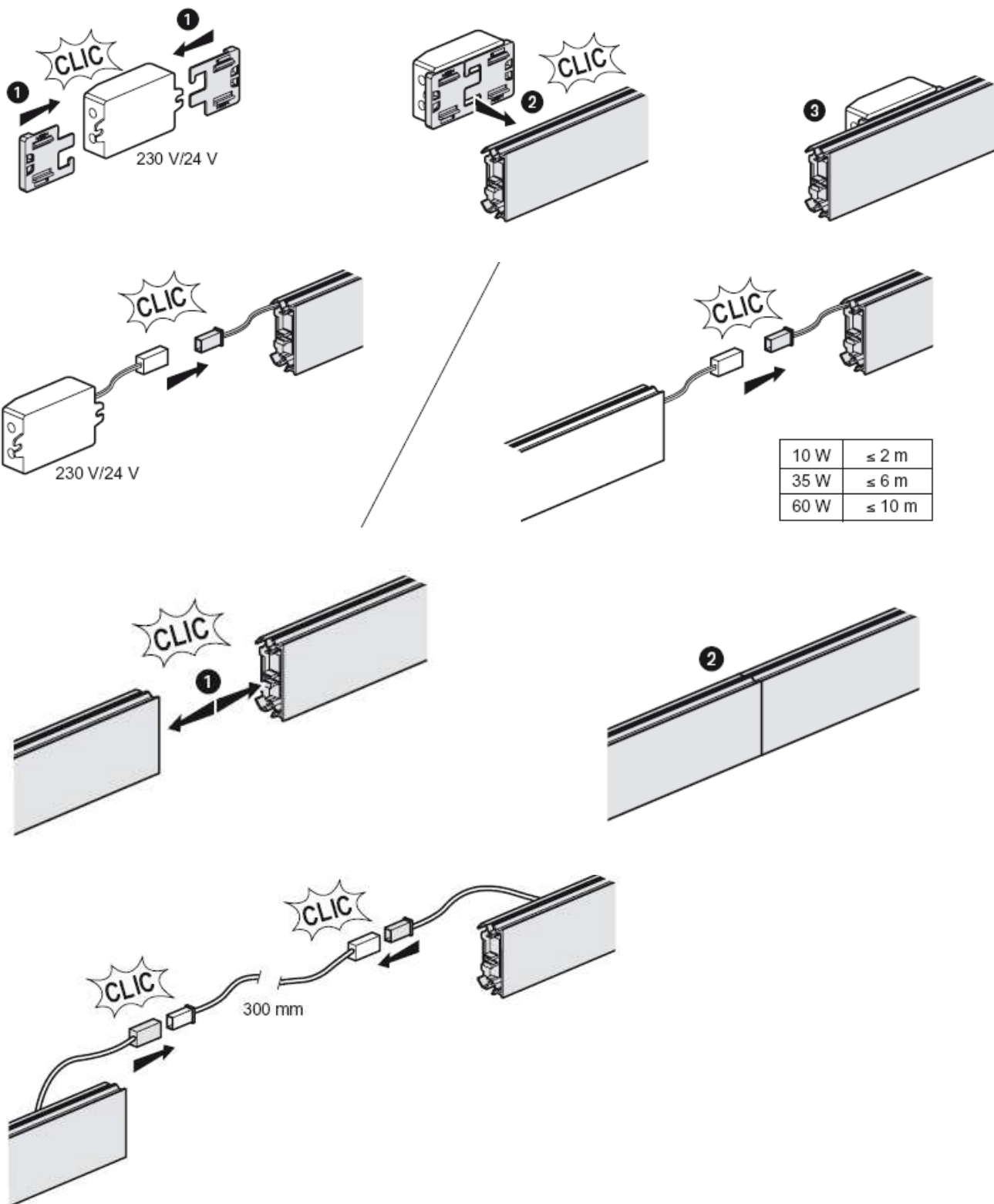


on aluminium snap-on columns:



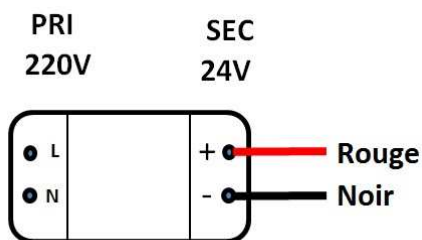
3. TECHNICAL CHARACTERISTICS

Installation of driver 24V :



3. TECHNICAL CHARACTERISTICS (continued)

Wiring principle for du driver 24V +/- :

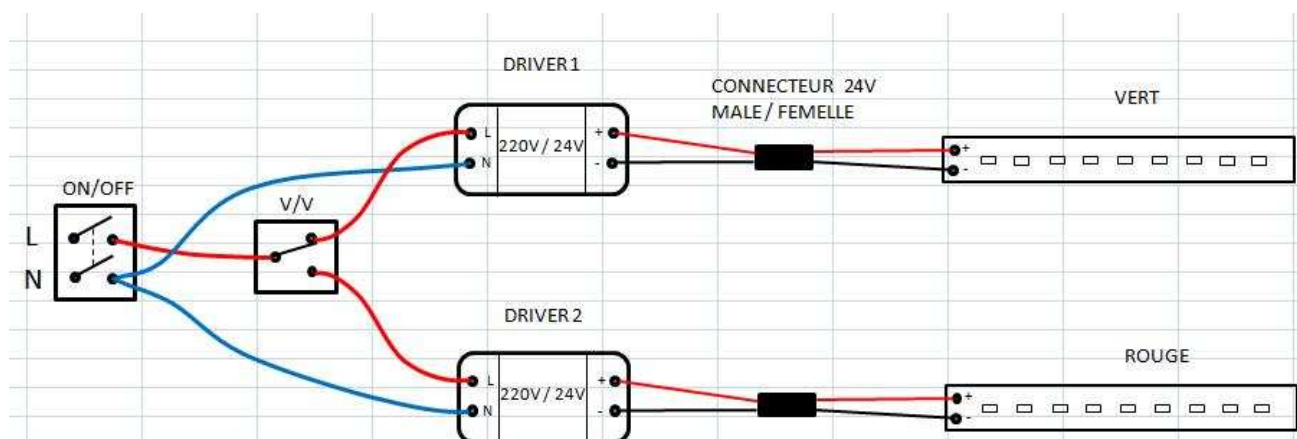


Dimensions of drivers:

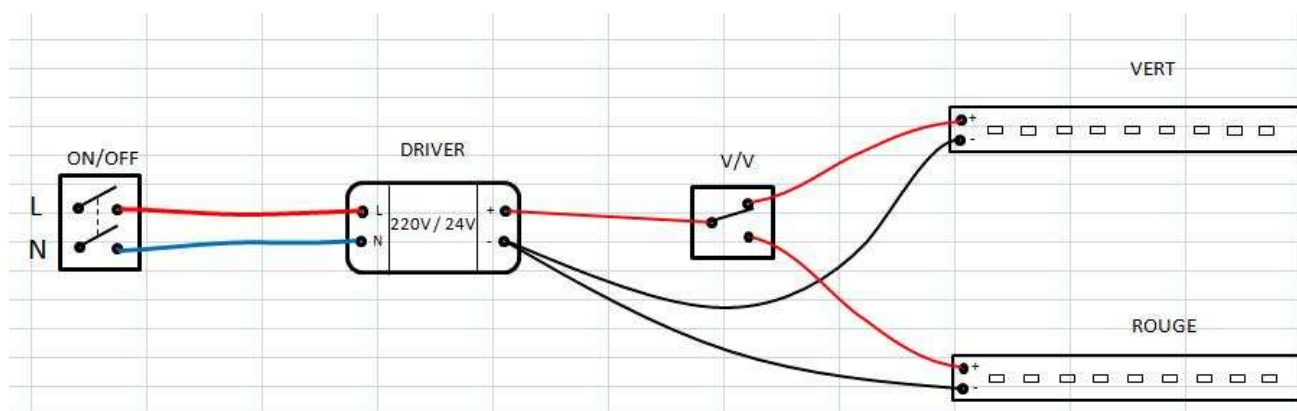
- 019090 (10W): 75 x 40 x 23mm
- 019091 (35W): 230 x 33 x 23mm
- 019092 (60W): 230 x 33 x 23mm

Example to connect cover45 RED/GREEN (ref: 0 190 89)

With 2 drivers :

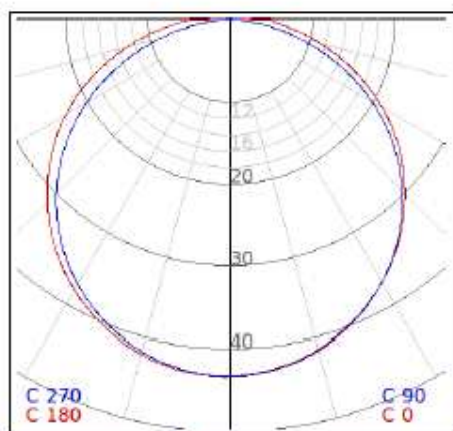


With 1 driver :



3. TECHNICAL CHARACTERISTICS (continued)

Module LED CV 45 WHITE L = 0.5m ref 0 190 86



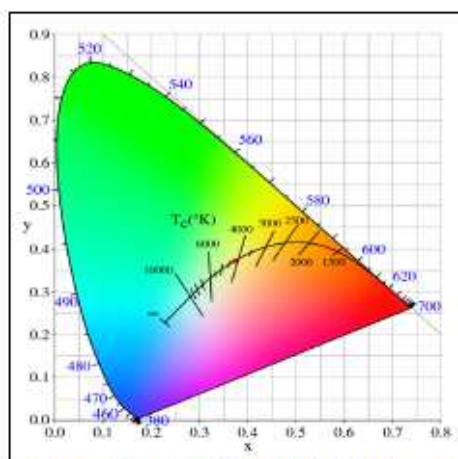
Luminaire luminous intensity in longitudinal plane (CO-C180) and transversal plane (C90-C270).

The luminous flux of this luminaire is 135 lumens.

The electrical power of the luminaire equipped with its power supply is 3.1 watts.

The system luminous efficacy is therefore equal to 44Lm/W.

The data file corresponding to this luminaire is named 019086.ies.



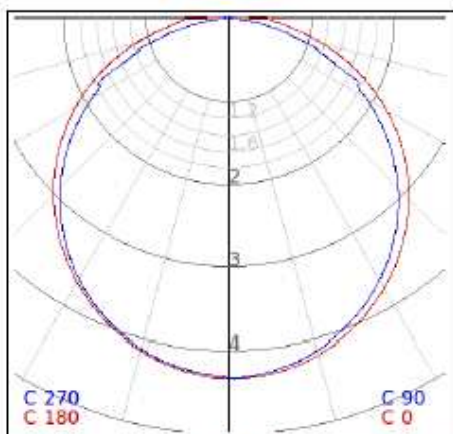
Chromaticity coordinates of the light emitted by the luminaire.

Correlated temperature of light measured in the principal direction of emission of luminaire is equal to 4189 K.

The color rendering index (CRI) is IRC = 70

3. TECHNICAL CHARACTERISTICS (continued)

Module LED CV 45 RED/green L = 0.5m



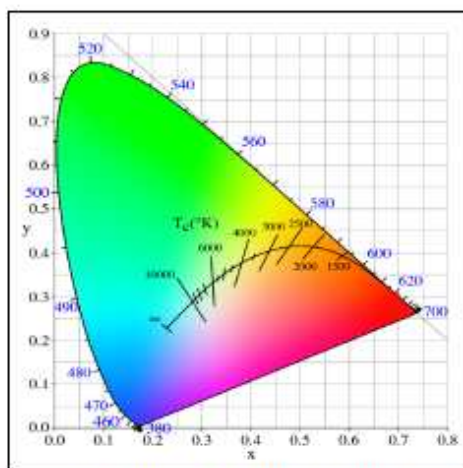
Luminaire luminous intensity in longitudinal plane (CO-C180) and transversal plane (C90-C270).

The luminous flux of this luminaire is 13 lumens.

The electrical power of the luminaire equipped with its power supply is 3.05 watts.

The system luminous efficacy is therefore equal to 4 Lm/W.

The data file corresponding to this luminaire is named 019099_red.ies.

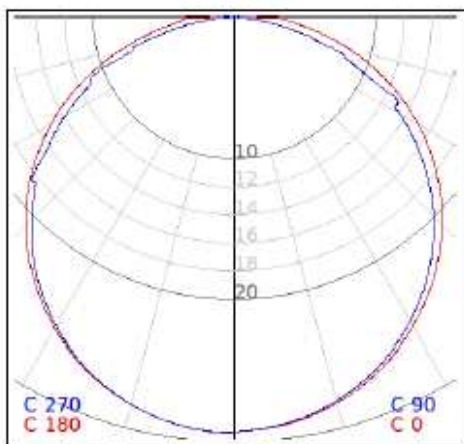


Chromaticity coordinates of the light emitted by the luminaire.

Color of the light measured in the principal direction of emission of luminaire is red.

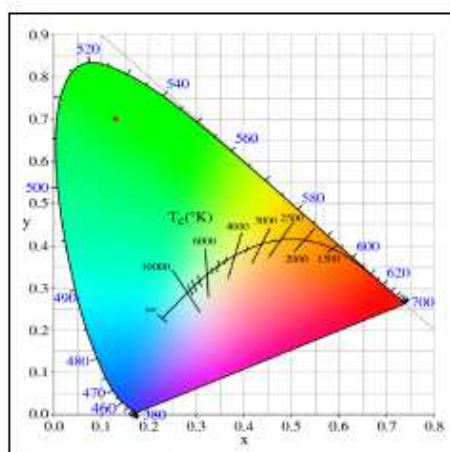
3. TECHNICAL CHARACTERISTICS (continued)

Module LED CV 45 GREEN/red L = 0.5m



Luminaire luminous intensity in longitudinal plane (CO-C180) and transversal plane (C90-C270).

The luminous flux of this luminaire is 92 lumens.
 The electrical power of the luminaire equipped with its power supply is 3.1 watts.
 The system luminous efficacy is therefore equal to 30 Lm/W.
 The data file corresponding to this luminaire is named 019099_green.ies.



Chromaticity coordinates of the light emitted by the luminaire.

Color of the light measured in the principal direction of emission of luminaire is green.

4. MATERIAL CHARACTERISTICS

Non-flame propagating

The covers are in PC rigid

Conform to Directive *RoHS

*RoHS designation :

Restriction of the use of certain Hazardous Substances, RoHS in the Equipements Electriques and Electroniques (EEE)