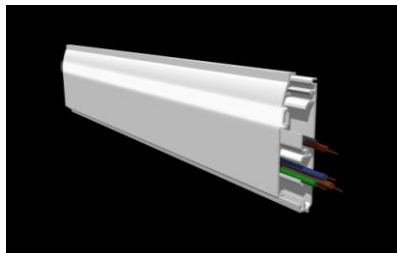
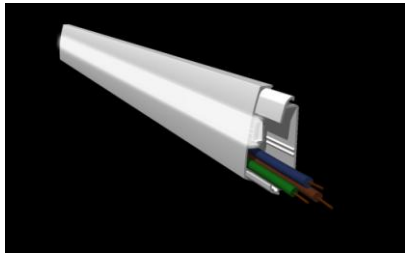


## DLP Mini-Trunking/Skirting LED SYSTEM

Number(s) : 0 190 70/71/72/73/74/75/76/77/78/79,  
0 190 80/81/82/83/84/85/86/90/91/92/93/94/96/97/98,  
0 190 03/06/12/16/20/24/36/40/43/45/47/49/51/53/54



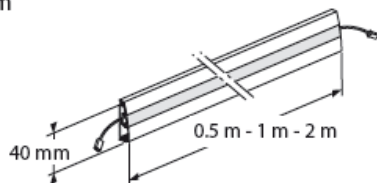
CONTENTS	PAGES
1.Range	1
2.Mini-trunking	2 to 5
3.Dado-trunking	6 to 10
4.Technical characteristics	14 to 17
5.Material characteristics	17

### 1. RANGE

DLP mini-trunking lighting offers:

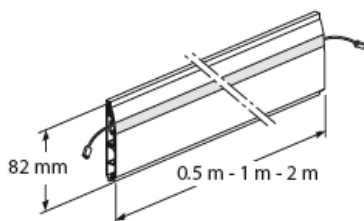
- the distribution, the protection and the derivation of various cables in an electrical installation et de guider en lumière les personnes dans les espaces de circulation.
- In renovation and without damage to walls, installation of mixed equipment (semi-recessed), mini-trunking/skirting and recessed projection equipment.
- a careful design, the choice of different lighting colors. This new offering with markup meets both the requirements of circulation spaces in commercial buildings (hotels, offices, museums, exhibition halls, hospitals) and the specific needs in residential, especially for the elderly and frail / or disabilities.
- Lighting low consumption LEDs can master the energy consumption of the RT2012, which requires new residential and tertiary maximum energy consumption 50kWh/Cep.

0.5 m  
1 m  
2 m



References	Designation
<b>0 190 70</b>	DLP LED SYSTEM WHITE 40x12.5 L = 0,5m
<b>0 190 71</b>	DLP LED SYSTEM WHITE 40x12.5 L = 1m
<b>0 190 72</b>	DLP LED SYSTEM WHITE 40x12.5 L = 2m
<b>0 190 74</b>	DLP LED SYSTEM BLUE 40x12.5 L = 0,5m
<b>0 190 75</b>	DLP LED SYSTEM BLUE 40x12.5 L = 1m
<b>0 190 76</b>	DLP LED SYSTEM BLUE 40x12.5 L = 2m

0.5 m  
1 m  
2 m



References	Designation
<b>0 190 80</b>	DLP LED SYSTEM WHITE 82x12.5 L = 0,5m
<b>0 190 81</b>	DLP LED SYSTEM WHITE 82x12.5 L = 1m
<b>0 190 82</b>	DLP LED SYSTEM WHITE 82x12.5 L = 2m
<b>0 190 83</b>	DLP LED SYSTEM BLUE 82x12.5 L = 0,5m
<b>0 190 84</b>	DLP LED SYSTEM BLUE 82x12.5 L = 1m
<b>0 190 85</b>	DLP LED SYSTEM BLUE 82x12.5 L = 2m

# DLP Mini-Trunking/Skirting LED SYSTEM

Number(s) : 0 190 70/71/72/73/74/75/76/77/78/79,  
0 190 80/81/82/83/84/85/86/90/91/92/93/94/96/97/98,  
0 190 03/06/12/16/20/24/36/40/43/45/47/49/51/53/54

## 2. MINI-TRUNKING

### 2.1. Mini-trunking LED module ref. 0 190 70/71/72/74/75/76



White color RAL 9003

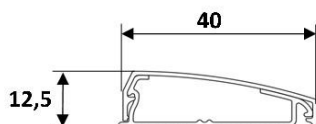
Fixing by:

- glue (cartridge of adhesive neoprene for glue gun ref. 0 309 49)
- wall plugs for immediate fixing (without screw nor nail ref. 0 308 98/99)
- screw, nails...

Range :

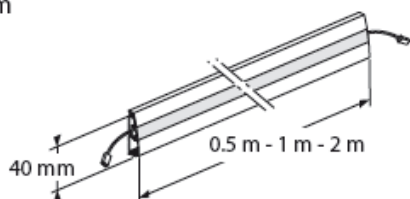
References	X (mm)	Y (mm)
0 190 70/71/72 0 190 74/75/76	40	12.5

Dimensions :



Available in length of:

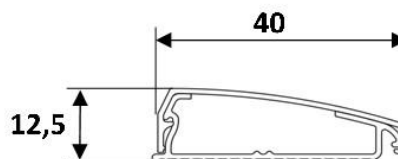
- 0 190 70/74 = 0.5 m
- 0 190 71/75 = 1 m
- 0 190 72/76 = 2 m



References	Pack
0 190 70/71/72	2
0 190 74/75/76	2

## 2. MINI-TRUNKING (continued)

### 2.2. Mini-trunking ref. 0 190 03



White color RAL 9003

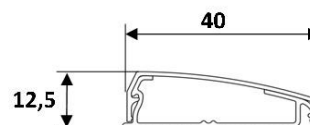
Fixing by:

- glue (cartridge of adhesive neoprene for glue gun ref. 0 309 49)
- wall plugs for immediate fixing (without screw nor nail ref. 0 308 98/99)
- screw, nails...

Range :

References	X (mm)	Y (mm)
0 190 03	40	12.5

Dimensions :



Available in length of 2.10m.

References	Pack
0 190 03	72m

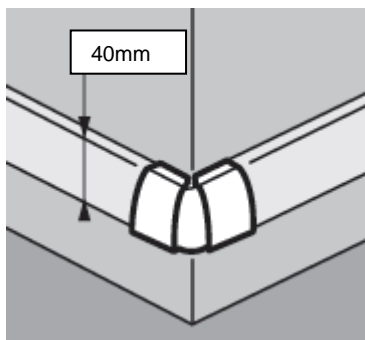
# DLP Mini-Trunking/Skirting LED SYSTEM

Number(s) : 0 190 70/71/72/73/74/75/76/77/78/79,  
0 190 80/81/82/83/84/85/86/90/91/92/93/94/96/97/98,  
0 190 03/06/12/16/20/24/36/40/43/45/47/49/51/53/54

## 2. MINI-TRUNKING (continued)

### 2.3. External angle ref. 0 190 12

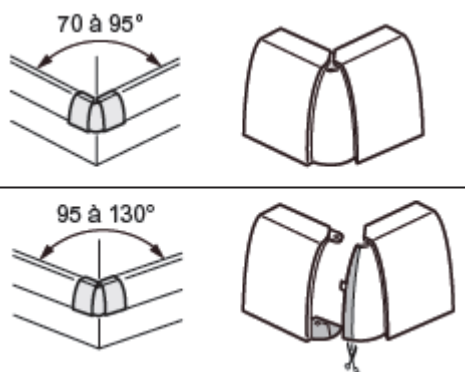
External angle allows:  
- respect of the degree protection  
- aesthetics improves (covering of the cut and not or little extra thickness)  
Assembly on the body by clipsage.  
Variable internal/external angles of 70 with 130°.



White color RAL 9003

References	pack	Use with mini-trunking
0 190 12	10	0 190 03, 0 190 70/71/72/74/75/76

Variability :

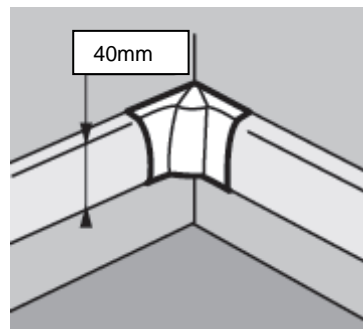


Note : to allow to clip angles, covers must be cut 4mm less in order to fix the accessory

## 2. MINI-TRUNKING (continued)

### 2.4. Internal angle ref. 0 190 16

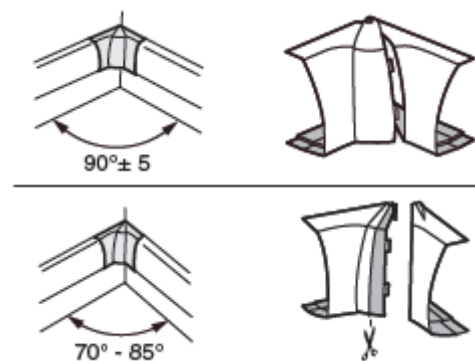
Internal angle allows:  
- respect of the degree protection  
- aesthetics improves (covering of the cut and not or little extra thickness)  
Assembly on the body by clipsage.  
Variable internal/external angles of 70 with 140°.



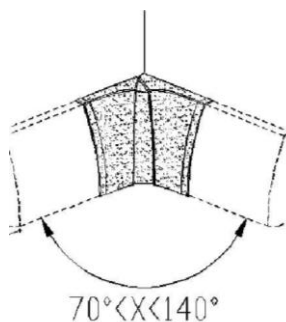
White color RAL 9003

References	pack	Use with mini-trunking
0 190 16	10	0 190 03, 0 190 70/71/72/74/75/76

Variability :



To go up to 140°, use the third part delivered with the angle



Note : to allow to clip angles, covers must be cut 4mm less in order to fix the accessory

# DLP Mini-Trunking/Skirting LED SYSTEM

Number(s) : 0 190 70/71/72/73/74/75/76/77/78/79,  
0 190 80/81/82/83/84/85/86/90/91/92/93/94/96/97/98,  
0 190 03/06/12/16/20/24/36/40/43/45/47/49/51/53/54

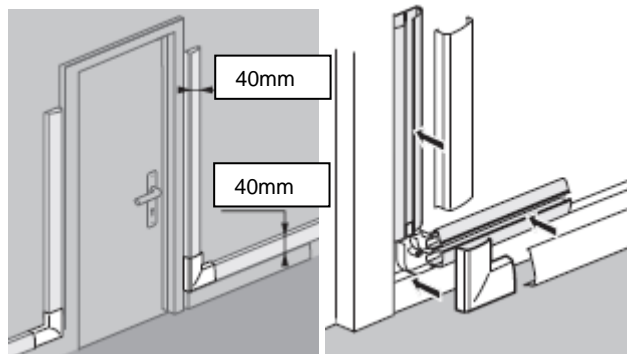
## 2. MINI-TRUNKING (continued)

### 2.5. Flat angle A (at the bottom of the door) ref. 0 190 20

The junction in flat angle (A) of two same sections allows:

- respect of the degree protection
- the distribution of the various currents preserves
- aesthetics (covering of the cut) improves

Assembly on the body by clipsage.



Note : to allow to clip angles, covers must be cut 4mm less in order to fix the accessory

White color RAL 9003

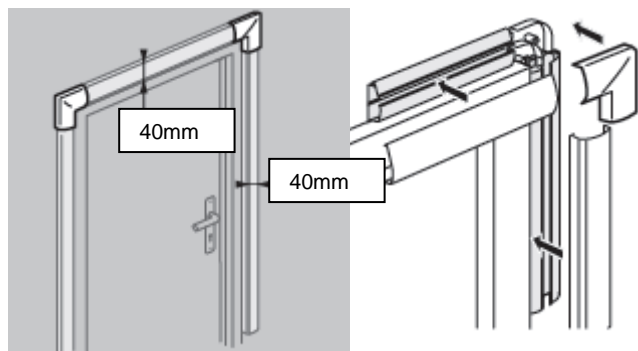
References	pack	Use with mini-trunking
0 190 20	10	0 190 03, 0 190 70/71/72/74/75/76

### 2.6. Flat angle B (at the top of the door) ref. 0 190 24

The junction in flat angle (B) of two same sections allows:

- respect of the degree protection
- the distribution of the various currents preserves
- aesthetics (covering of the cut) improves

Assembly on the body by clipsage.



Note : to allow to clip angles, covers must be cut 4mm less in order to fix the accessory

White color RAL 9003

References	pack	Use with mini-trunking
0 190 24	10	0 190 03, 0 190 70/71/72/74/75/76

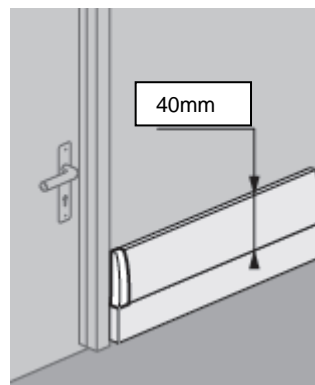
## 2. MINI-TRUNKING (continued)

### 2.7. End cap ref. 0 190 36

Allows to block the end of the body:

- respect of the protection degree
- improvement of aesthetics (covering of the cut)
- delivered per 2 end caps (1 left and 1 right ) with only one support

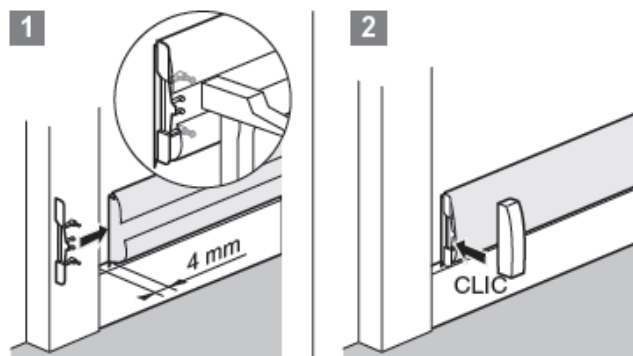
Assembly on the body by fitment and screwing.



White color RAL 9003

References	pack	Use with mini-trunking
0 190 36	20	0 190 03, 0 190 70/71/72/74/75/76

Note to fix :



# DLP Mini-Trunking/Skirting LED SYSTEM

Number(s) : 0 190 70/71/72/73/74/75/76/77/78/79,  
0 190 80/81/82/83/84/85/86/90/91/92/93/94/96/97/98,  
0 190 03/06/12/16/20/24/36/40/43/45/47/49/51/53/54

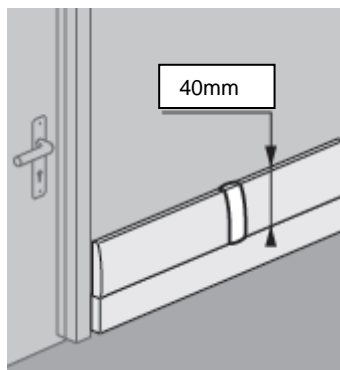
## 2. MINI-TRUNKING (continued)

### 2.8. Cover joint ref. 0 190 40

Allows:

- the junction end to end of two covers
- respect of the degree protection
- to improve aesthetics (covering of the cut)

To put the cover joint on DLP mini trunking, you can clip it on one cover (with plastics part under cover joint) after you can clip the others cover on the base and slide the cover on the cover joint and fix them on the base of mini-trunking.



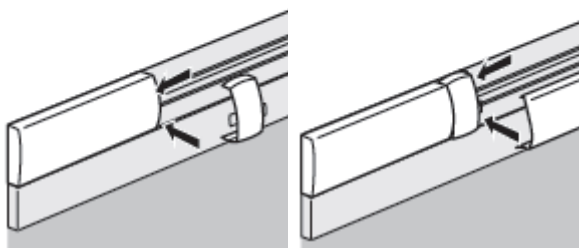
White color RAL 9003

References	pack	Use with mini-trunking
0 190 40	10	0 190 03, 0 190 70/71/72/74/75/76

Note to fix :

1

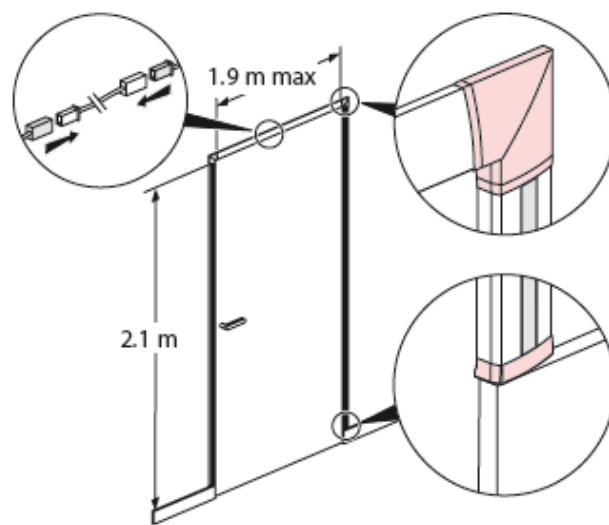
2



## 2. MINI-TRUNKING (continued)

### 2.9. Kit Doorway ref. 0 190 73/77

0 190 73/77



White color RAL 9003

References	Designation
0 190 73	Kit LED white doorway
0 190 77	Kit LED blue doorway

Note : to allow to clip angles, covers must be cut 4mm less in order to fix the accessory

1 Kit LED doorway is delivered with :

- 2 mini-trunkings 40x12.5 LED (white or blue) in length of 2m
- 1 mini-trunking 40x12.5 with separation in length of 1.9m
- 1 liaison en 2m
- 2 Flat angle B (at the top of the door)
- 2 End caps 40x12.5

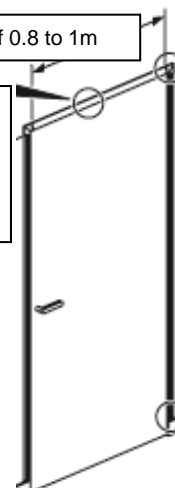
Technical information for complete LED doorway:

Add to kit one LED module of 1m ref 019071/75 on the top door :

Possibility to cut 10 cm at each end of the cover and retaining the connectors allowing adjustment of 0.80 to 1m depending on the width of the door.

Ajustment of 0.8 to 1m

If installing a LED module 1m above the door, no need to use the liaison delivered with the Kit. Connectors 1m LED module used to connect directly doorway.



# DLP Mini-Trunking/Skirting LED SYSTEM

Number(s) : 0 190 70/71/72/73/74/75/76/77/78/79,  
0 190 80/81/82/83/84/85/86/90/91/92/93/94/96/97/98,  
0 190 03/06/12/16/20/24/36/40/43/45/47/49/51/53/54

## 3. SKIRTING

### 3.1. DLP skirting LED system ref. 0 190 80/81/82/83/84/85



White color RAL 9003

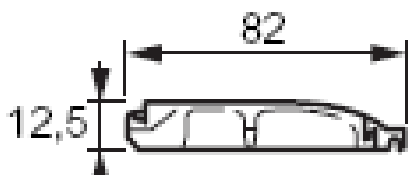
Fixing by:

- glue (cartridge of adhesive neoprene for glue gun ref. 30949)
- wall plugs for immediate fixing (without screw nor nail ref. 0 308 98/99)
- screw, nails...

Range :

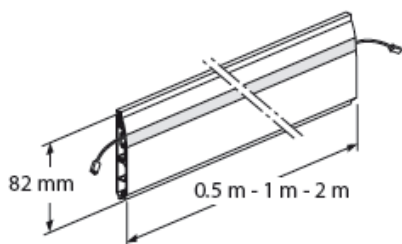
References	X (mm)	Y (mm)
0 190 80/81/82, 0 190 83/84/85	82	12.5

Dimensions :



Available in length of:

- 0 190 80/83 = 0.5 m**
- 0 190 81/84 = 1 m**
- 0 190 82/85 = 2 m**



References	Pack
0 190 80/81/82	1
0 190 83/84/85	1

## 3. SKIRTING (continued)

### 3.2. DLP skirting ref. 0 190 06



White color RAL 9003

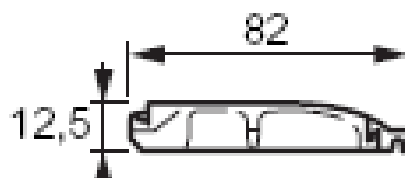
Fixing by:

- glue (cartridge of adhesive neoprene for glue gun ref. 30949)
- wall plugs for immediate fixing (without screw nor nail ref. 0 308 98/99)
- screw, nails...

Range :

References	X (mm)	Y (mm)
0 190 06	82	12.5

Dimensions :



Available in length of 2m.

References	Pack
0 190 06	30m

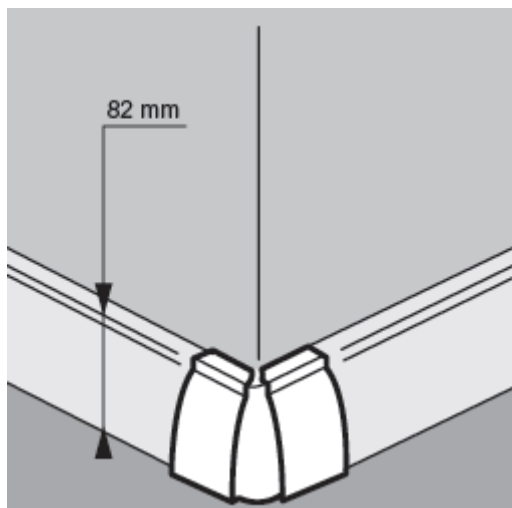
# DLP Mini-Trunking/Skirting LED SYSTEM

Number(s) : 0 190 70/71/72/73/74/75/76/77/78/79,  
0 190 80/81/82/83/84/85/86/90/91/92/93/94/96/97/98,  
0 190 03/06/12/16/20/24/36/40/43/45/47/49/51/53/54

## 3. SKIRTING (continued)

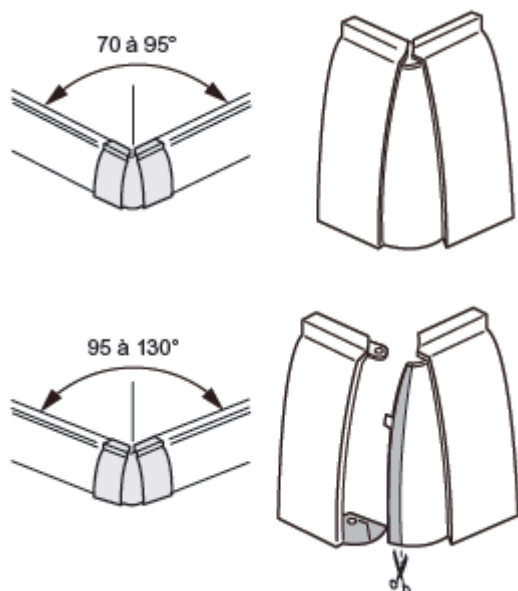
### 3.3. External angle ref. 0 190 43

External angle allows:  
- respect of the degree protection  
- aesthetics improves (covering of the cut and not or little extra thickness)  
Assembly on the body by clipsage.  
Variable internal/external angles of 70 with 130°.



White color RAL 9003

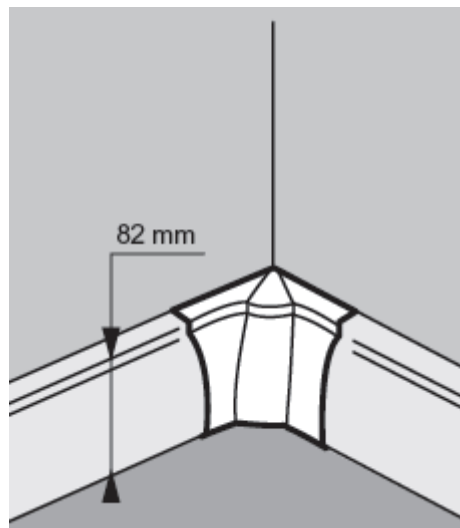
References	pack	Use with skirting
0 190 43	5	0 190 06, 0 190 80/81/82/83/84/85



## 3. SKIRTING (continued)

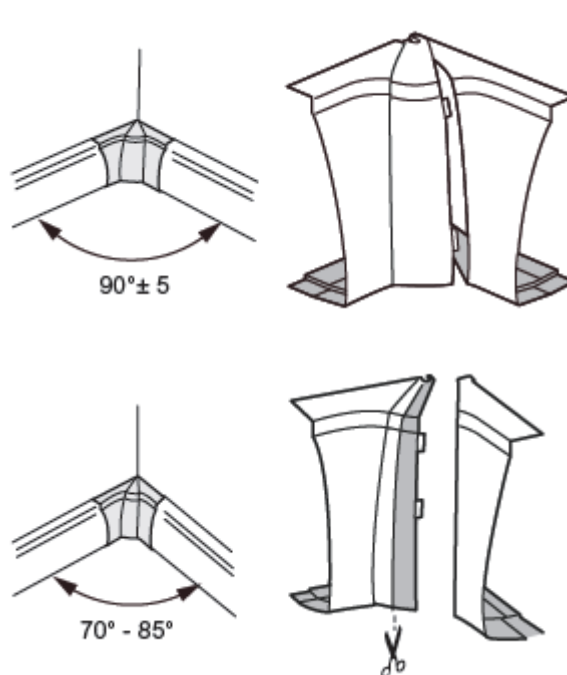
### 3.4. Internal angle ref. 0 190 45

Internal angle allows:  
- respect of the degree protection  
- aesthetics improves (covering of the cut and not or little extra thickness)  
Assembly on the body by clipsage.  
Variable internal/external angles of 70 with 95°.



White color RAL 9003

References	pack	Use with skirting
0 190 45	5	0 190 06, 0 190 80/81/82/83/84/85



# DLP Mini-Trunking/Skirting LED SYSTEM

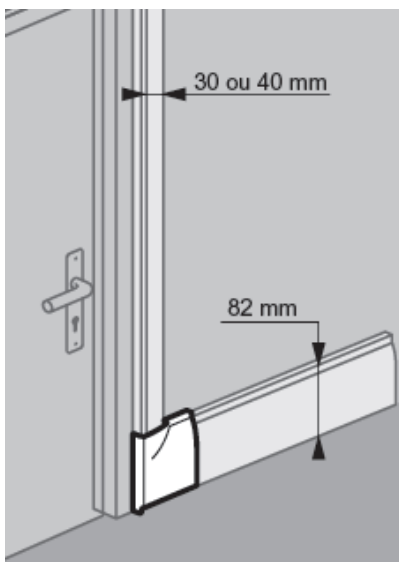
Number(s) : 0 190 70/71/72/73/74/75/76/77/78/79,  
0 190 80/81/82/83/84/85/86/90/91/92/93/94/96/97/98,  
0 190 03/06/12/16/20/24/36/40/43/45/47/49/51/53/54

## 3. SKIRTING (continued)

### 3.5. Right flat angle ref. 0 190 53

The right flat angle of skirting and mini trunking (30 or 40mm) allows:

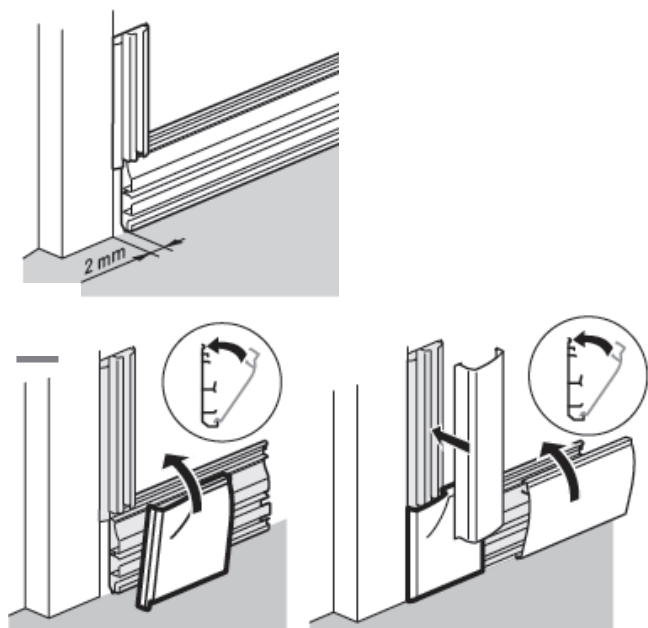
- respect of the degree protection
  - the distribution of the various currents preserves
  - aesthetics (covering of the cut) improves
- Assembly on the body by clip.



White color RAL 9003

References	pack	Use with skirting
0 190 53	10	0 190 06, 0 190 80/81/82/83/84/85

Note to fix :

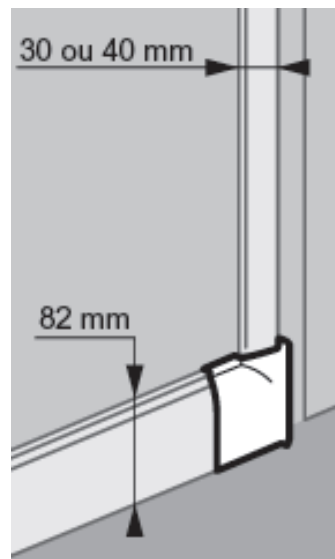


## 3. SKIRTING (continued)

### 3.6. Left flat angle ref. 0 190 54

The left flat angle of skirting and mini trunking (30 or 40mm) allows:

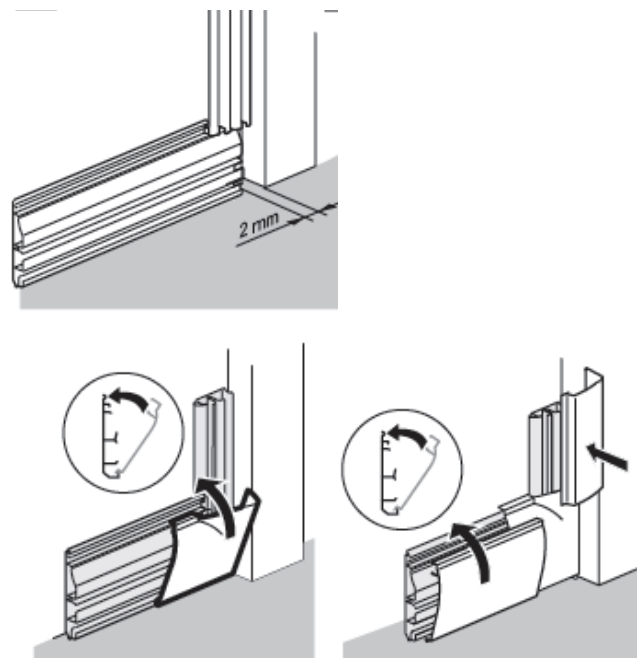
- respect of the degree protection
  - the distribution of the various currents preserves
  - aesthetics (covering of the cut) improves
- Assembly on the body by clip.



White color RAL 9003

References	pack	Use with skirting
0 190 54	10	0 190 06, 0 190 80/81/82/83/84/85

Note to fix :





# DLP Mini-Trunking/Skirting LED SYSTEM

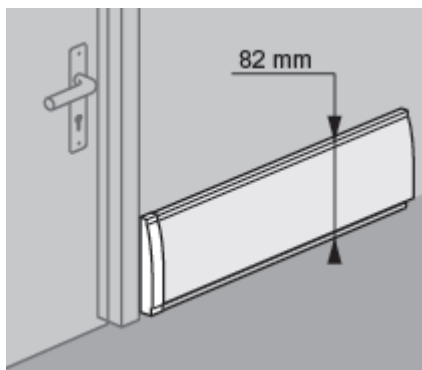
Number(s) : 0 190 70/71/72/73/74/75/76/77/78/79,  
0 190 80/81/82/83/84/85/86/90/91/92/93/94/96/97/98,  
0 190 03/06/12/16/20/24/36/40/43/45/47/49/51/53/54

## 3. SKIRTING (continued)

### 3.7. End cap ref. 0 190 49

Allows to block the end of the body:

- respect of the protection degree
  - improvement of aesthetics (covering of the cut)
  - delivered per 2 end caps (1 left and 1 right ) with only one support
- Assembly on the body by fitment and screwing.



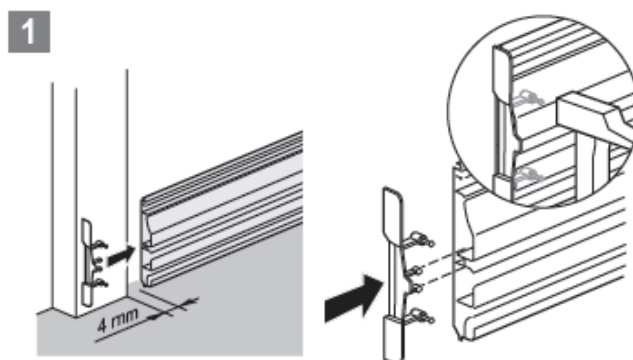
White color RAL 9003

References	pack	Use with skirting
0 190 49	10	0 190 06, 0 190 80/81/82/83/84/85

## 3. SKIRTING (continued)

### 3.7. End cap ref. 0 190 49

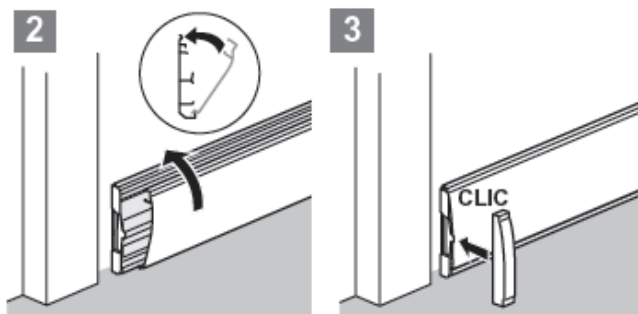
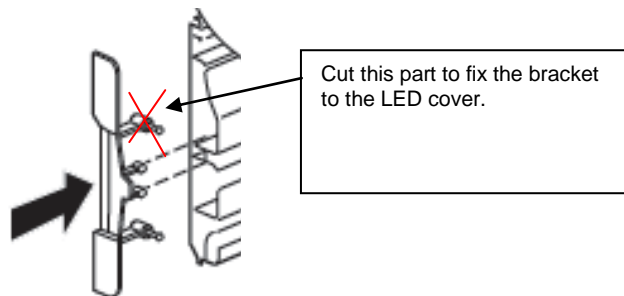
Note to fix :



Note :

For mounting the end cap with skirting equipped with cover LED :

Simply cut the annoying part (with cutter) and attach the bracket with a single fixation.



# DLP Mini-Trunking/Skirting LED SYSTEM

Number(s) : 0 190 70/71/72/73/74/75/76/77/78/79,  
0 190 80/81/82/83/84/85/86/90/91/92/93/94/96/97/98,  
0 190 03/06/12/16/20/24/36/40/43/45/47/49/51/53/54

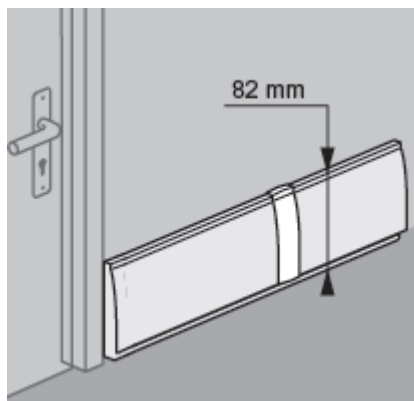
## 3. SKIRTING (continued)

### 3.8. Cover joint ref. 0 190 51

Allows:

- the junction end to end of two covers
- respect of the degree protection
- to improve aesthetics (covering of the cut)

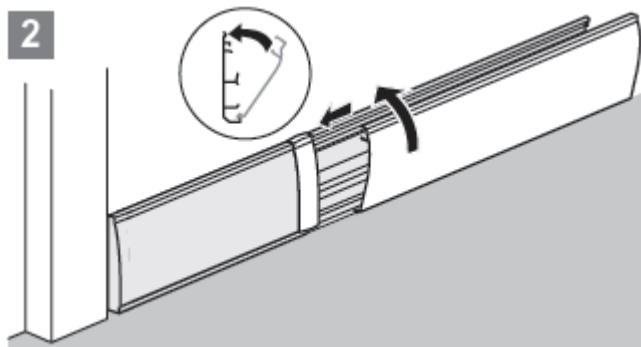
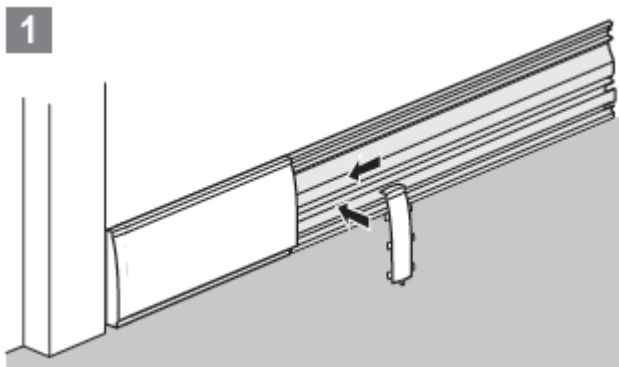
To put the cover joint on DLP skirting, you can clip it on one cover (with plastics part under cover joint) after you can clip the others cover on the base and slide the cover on the cover joint and fix them on the base of skirting.



White color RAL 9003

References	pack	Use with skirting
0 190 51	10	0 190 06, 0 190 80/81/82/83/84/85

Note to fix :



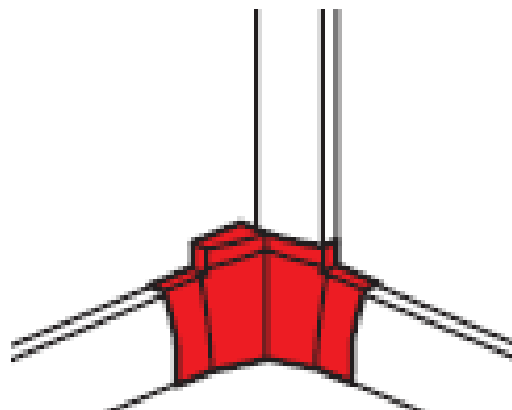
## 3. SKIRTING (continued)

### 3.9. Angled junction ref. 0 190 47

The angled junction allows.

- respect of the degree protection
- aesthetics (covering of the cut) improves

Assembly on the body by clip.



White color RAL 9003

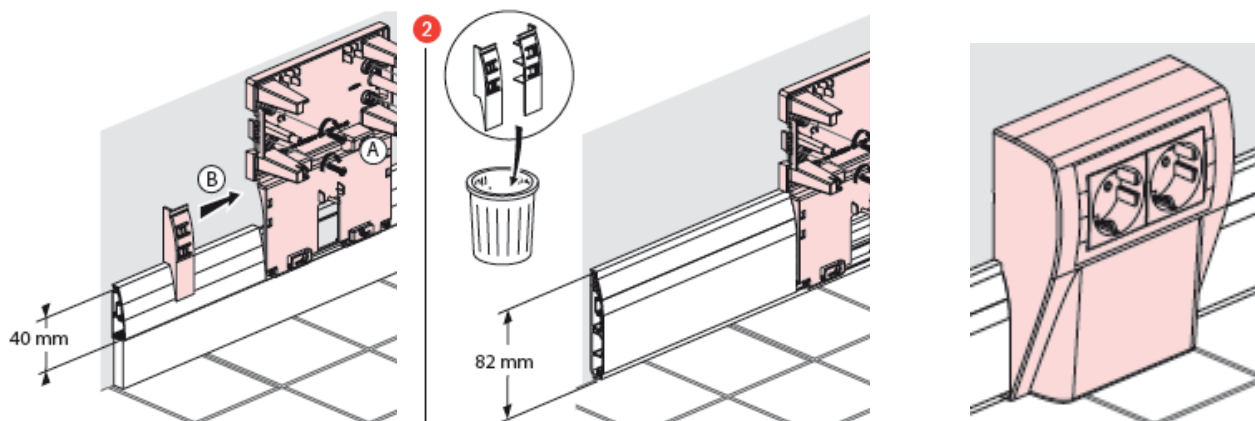
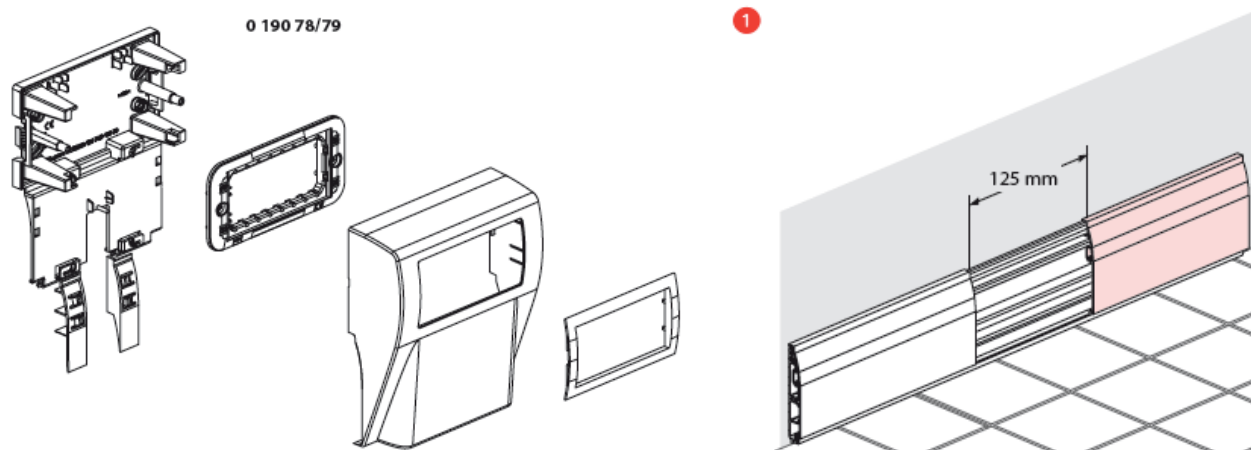
References	pack	Use with mini-trunking
0 190 47	5	30 or 40x12.5

## 4. INSTALLATION

### 4.1. Surface mounting frames :

Ref. 0 190 78 = for wiring devices 45x45

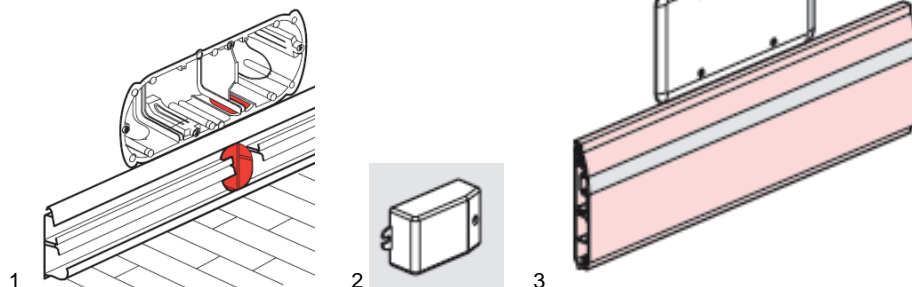
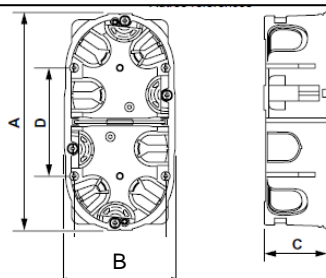
Ref. 0 190 79 = for wiring devices Living/Light



Note to put the driver for flush-mounting drivers on Batibox.

Box batibox 2 modules :  
A=142/B=72.8/C=40/D=71mm

Box batibox 4 modules :  
A=284/B=72.8/C=40/D=71mm



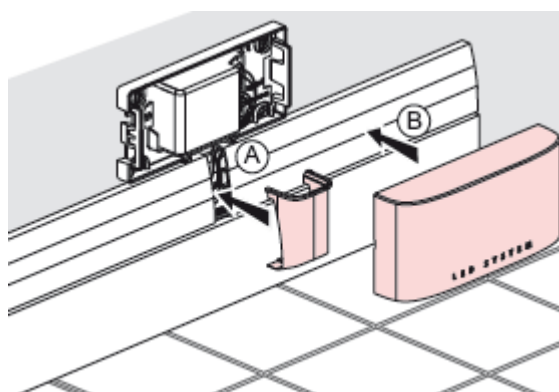
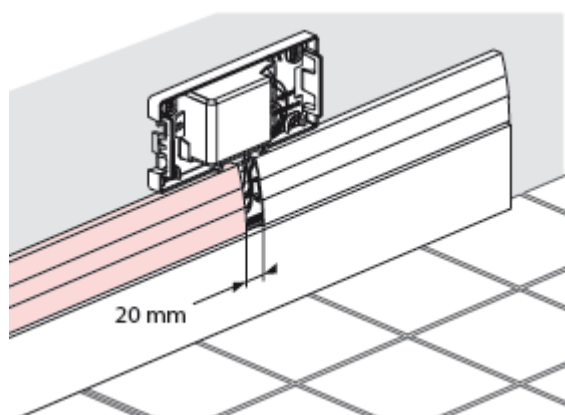
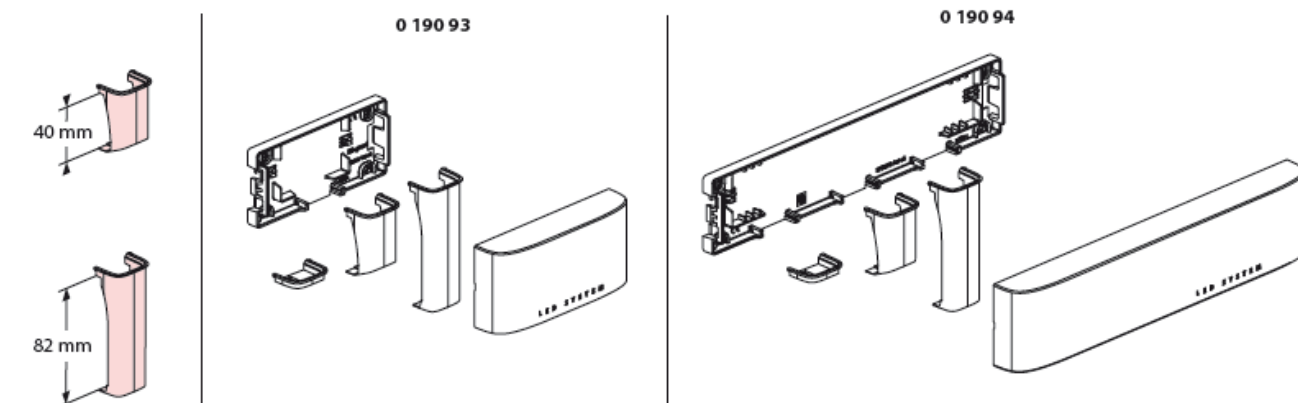
- 1- Put the Batibox on the wall alongside the mini-trunking/skirting
- 2- Install the driver 10W/35W on the Batibox (2 or 4 modules)
- 3- Finally, screw the accessories for flush-mounting drivers ref 0 801 82 or 0 190 96 (dimensions 80x155mm)

**4. INSTALLATION (continued)**

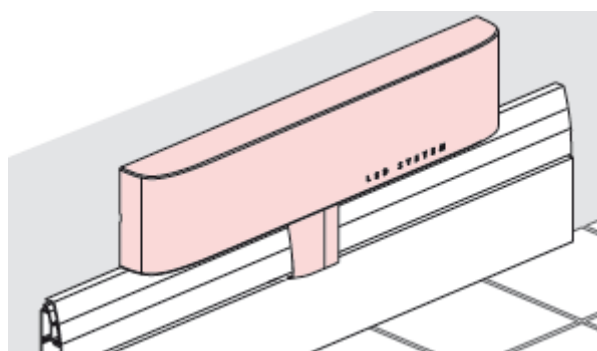
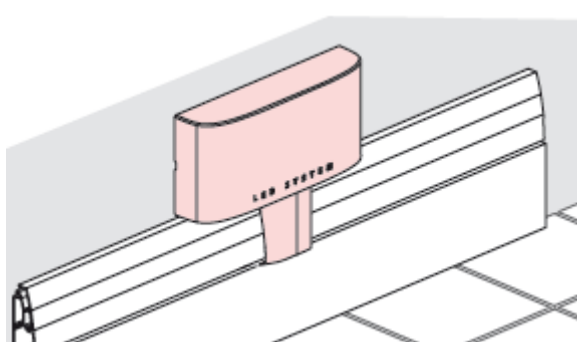
**4.2. Frames and installation accessories for drivers :**

Ref. 0 190 93 = for drivers 10 watts

Ref. 0 190 94 = for drivers 35 watts & 60 watts



Dimensions in (mm) :



## 4. INSTALLATION (continued)

### 4.3. Accessories :

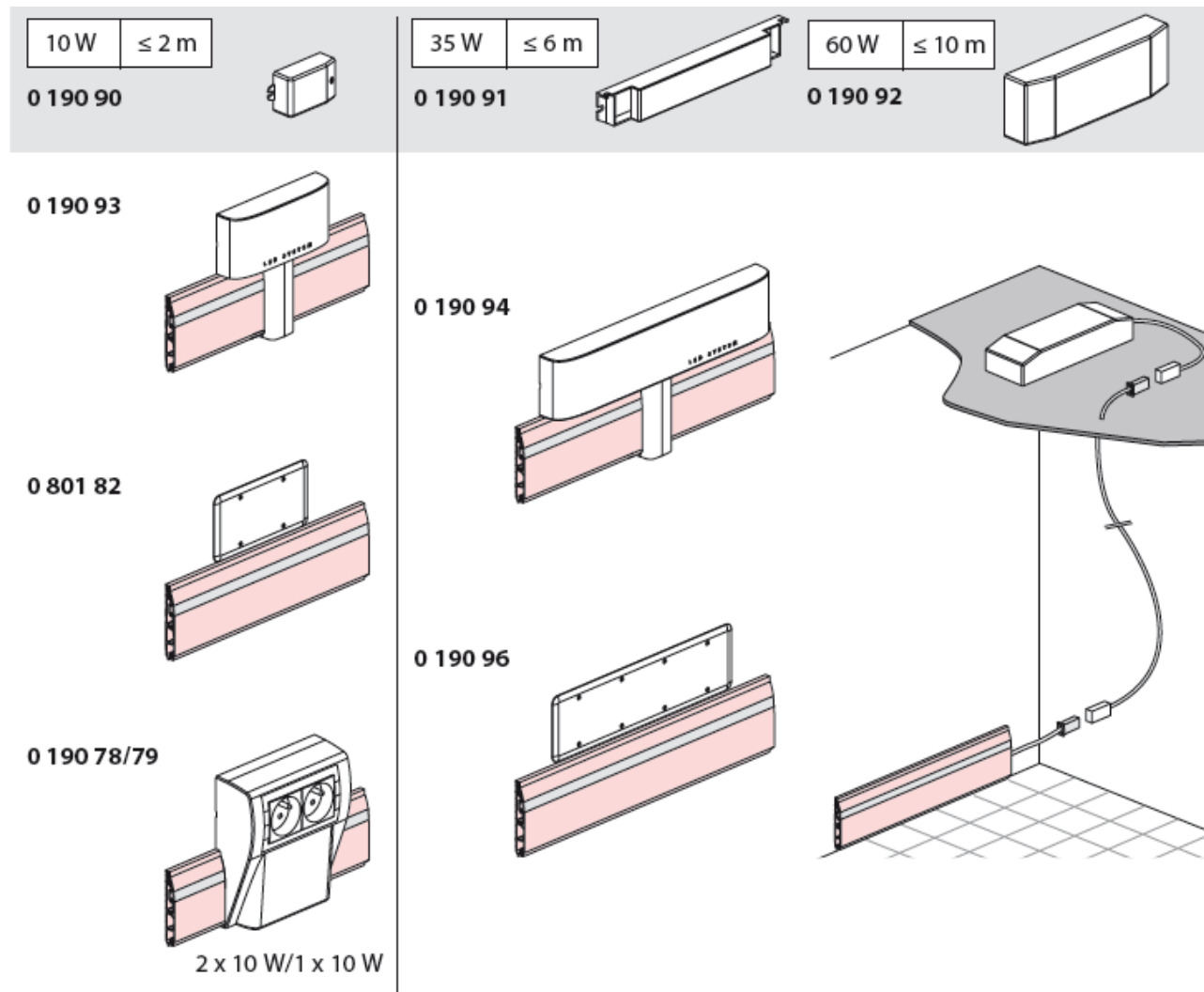
Drivers réf. 0 190 90/91/92

Tap-off ref. 0 190 97/98

Accessories for surface-mounting drivers ref 0 190 93/94

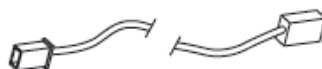
Accessories for flush-mounting drivers ref 0 190 96 and 0 801 82

Surface mounting frames réf 0 190 78/79

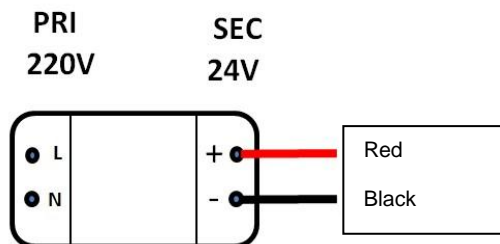


0 190 97 = 0.3 m

0 190 98 = 3 m



Wiring principle for driver 24V +/- :

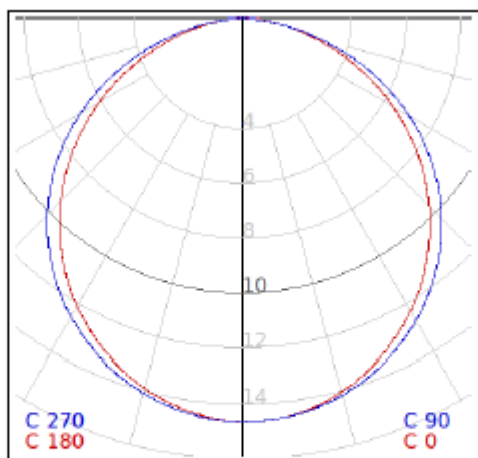


Dimensions of drivers:

019090 (10W): 75 x 40 x 23mm  
019091 (35W): 230 x 33 x 23mm  
019092 (60W): 230 x 33 x 23mm

**5. TECHNICAL CHARACTERISTICS**

MODULE LED WHITE FOR MINI-TRUNKING & SKIRTING L = 0,5m



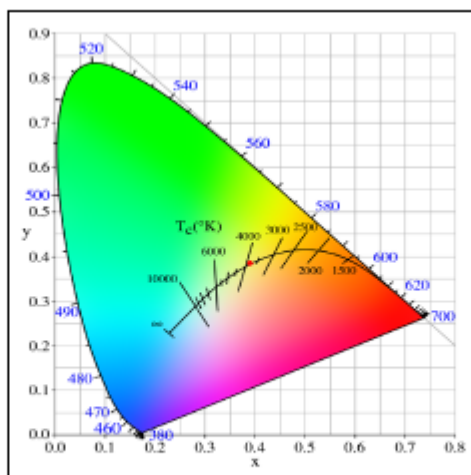
*Luminaire luminous intensity in longitudinal plane (C0-C180) and transversal plane (C90-C270).*

The luminous flux of this luminaire is **42 lumens**.

The electrical power of the luminaire equipped with its power supply is **3.1 watts**.

The system luminous efficacy is therefore equal to **13 lm/W**.

The data file corresponding to this luminaire is named **019070\_1.ies**.

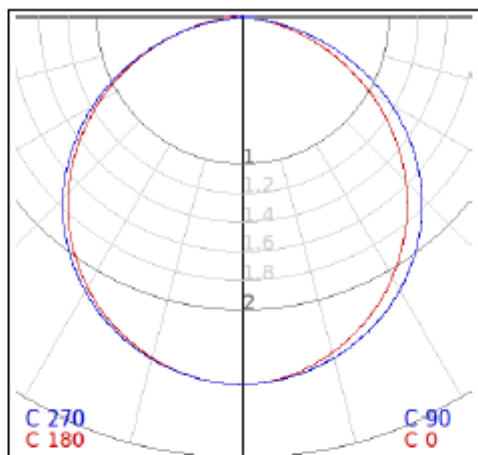


*Chromaticity coordinates of the light emitted by the luminaire.*

Correlated color temperature of light measured in the principal direction of emission of luminaire is equal to **3 815 K**. The color rendering index (CRI) is **IRC=71**.

**5. TECHNICAL CHARACTERISTICS (continued)**

MODULE LED BLUE FOR MINI-TRUNKING & SKIRTING L = 0,5m



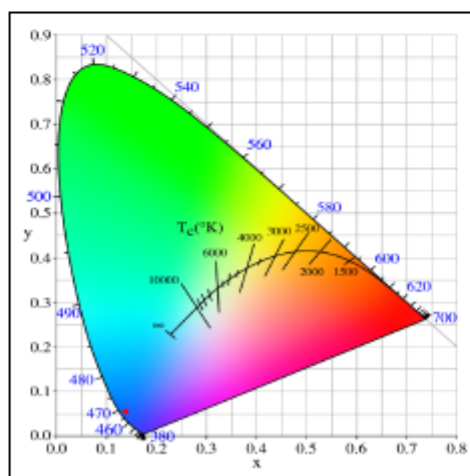
*Luminaire luminous intensity in longitudinal plane (C0-C180) and transversal plane (C90-C270).*

The luminous flux of this luminaire is **7 lumens**.

The electrical power of the luminaire equipped with its power supply is **3.2 watts**.

The system luminous efficacy is therefore equal to **2 lm/W**.

The data file corresponding to this luminaire is named **019074.ies**.

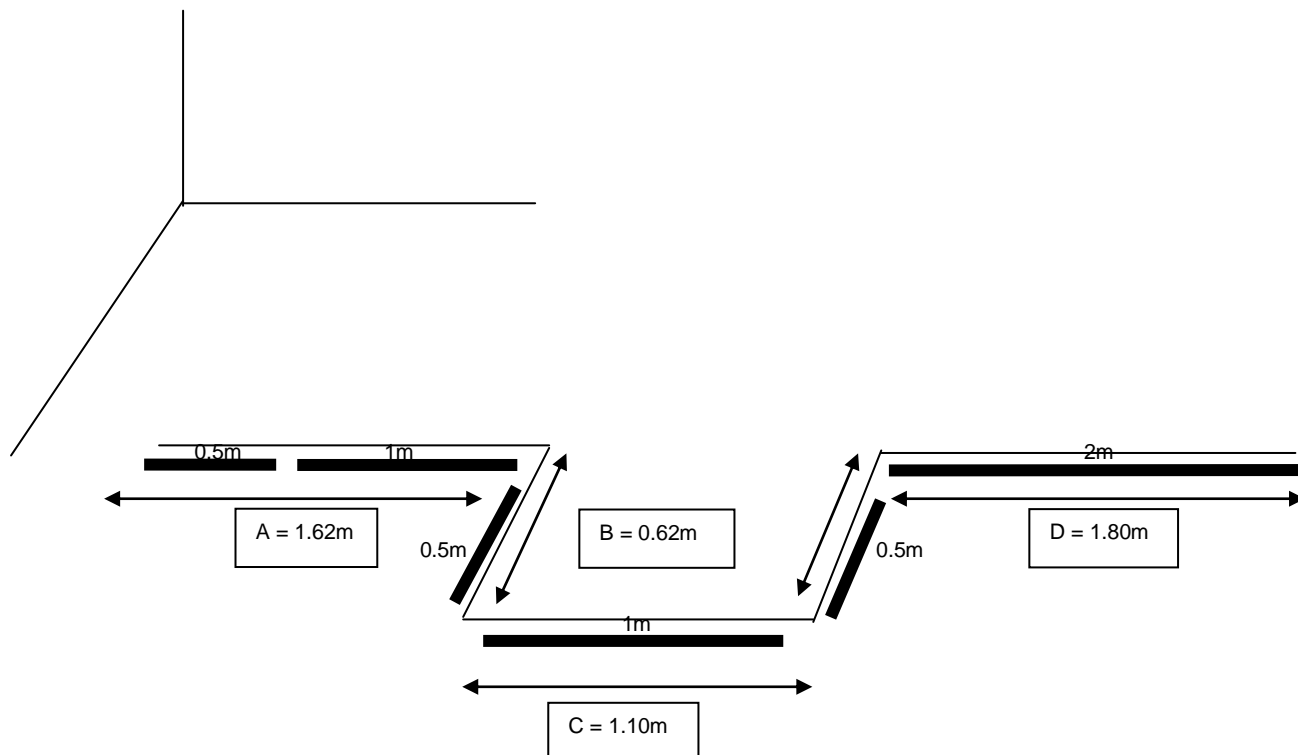


*Chromaticity coordinates of the light emitted by the luminaire.*

Color of light measured in the principal direction of emission of luminaire is **blue**.

**5. TECHNICAL CHARACTERISTICS (continued)**

Example with mini-trunking LED SYSTEM:



Mini-trunking LED	Composition with LED SYSTEM length
A	1 sample ref 019003 + 1 module 1m ref 019071 + 1 module 0.5m ref 019070 + 1 sample ref 019003
B	1 sample ref 019003 + 1 module 0.5m ref 019070 + 1 sample ref 019003
B	1 sample ref 019003 + 1 module 0.5m ref 019070 + 1 sample ref 019003
C	1 sample ref 019003 + 1 module 1m ref 019071 + 1 sample ref 019003
D	1 module 2m ref 019072 (cut to 1.80m, see below)

Note : it is possible to cut the LED SYSTEM part only to 10cm.

- 1- Remove the cover, then remove the translucent part of the cover that has the LED part
- 2- Locate de cut line (between two scissors)
- 3- Cup the LED strip using a suitable tool
- 4- Ajust also the length of the body of the profile
- 5- Replace the LED strip on the cover and reposition all in the body of the profile



# DLP Mini-Trunking/Skirting LED SYSTEM

Number(s) : 0 190 70/71/72/73/74/75/76/77/78/79,  
0 190 80/81/82/83/84/85/86/90/91/92/93/94/96/97/98,  
0 190 03/06/12/16/20/24/36/40/43/45/47/49/51/53/54

## 5. TECHNICAL CHARACTERISTICS (continued)

Wiring capacity : Without LED module or (With) :



Compartment N°	Dimensions	Section max.(mm <sup>2</sup> )	Number of wires					
			1,5 mm <sup>2</sup>	2,5 mm <sup>2</sup>	4 mm <sup>2</sup>	6 mm <sup>2</sup>	UTP/FTP CAT.6	Ø max
1	82X12.5	135	10 (7)	5 (3)	4 (3)	2 (0)	3	7.5 (4)
2		125	7	5	4	3	2	7
3		80	4	3	3	2	1	7
1	40X12.5	180	10 (7)	7 (4)	5 (3)	4 (2)	2	9.5 (6)

PVC, conform to the Directive RoHS\*

\*RoHS designation :

Restriction of the use of certain Hazardous Substances, RoHS in the Equipements Electriques and Electroniques (EEE)

Classification for DLP mini-trunking EN 50085-2-1.

6.2 Resistance to impact for installation and application	2.0J
6.3 Minimum storage and transport temperature	- 25°C
6.3 Minimum installation and application temperature	- 5°C
6.3 Maximum application temperature	+ 60°C
6.4 Resistance to flame propagation	Non-flame propagating
6.5 Electrical continuity characteristic	With electrical continuity characteristic
6.6 Electrical insulating characteristic	Without electrical insulating characteristic
6.7 Degrees of protection provided by enclosure	IP40
6.9 The system access cover retention	With a tool
6.101 The position when surface mounted	Wall fixed Celling fixed
6.102 The functions provided	Type 1
Rated current	500 V
Protection against mechanical shocks	IK 07

Summary of maximum length of power cables from current transformer until the 1st module or between each module

wire 0,25mm <sup>2</sup>		maxi											
		0,5	1	2	3	4	5	6	7	8	9	10	
Led	meter												
max cable lenght for 10w	meter	37,5	18,8	9,4									
max cable lenght for 35w	meter				6,3	4,7	3,8	3,1					
max cable lenght for 60w	meter								2,7	2,3	2,1	1,9	

## 6. MATERIAL CHARACTERISTICS

The trunkings, covers are in PVC white RAL 9003.

Plastic accessories:

The accessories are in plastic PVC white RAL 9003