

## Analogue universal time switches - tactic 171.1

Item No 01.80.0002.1 / EAN Code 4010940003982



### PRODUCT DESCRIPTION

#### APPLICATIONS

- ▶ Machinery control
- ▶ Heating systems control
- ▶ Devices, motors and pumps control



### TECHNICAL DATA

#### Electrical Data

Supply voltage	AC 220-240 V ± 10% 50 Hz
Current output	Changeover, potential free
Current capacity - ohmic load	16 A / 250 V AC
	21 A / 250 V AC (UL)
Current capacity - inductive load cos.φ 0.6	8 A / 250 V AC
Switching capacity - minimal	100 mA / 20 V AC/DC
Load incandescent bulb	1.300 W
Power consumption	1 VA
Accuracy	Mains synchronised
Power reserve	no

#### Power connection

Device	Flat connection DIN 6.3
--------	-------------------------

#### Operating specifications

Manual switch	Automatic mode
	Fix ON/OFF
Channels	1
Tempering protection	Lead-sealable
Program	Weekly program (ON/OFF)

#### Display and format

Shortest switching time	ON/OFF 2 Hours
-------------------------	----------------

#### Operating conditions

Temperature (operation)	-20 °C ... +55 °C
-------------------------	-------------------

#### General specifications

Drive type	Synchronous
Colour	Grey
Weight	155 g
Dimension	72 x 72 x 55 mm (H x B x T)
	68 x 68 mm control panel section

39,5 mm (T) mounting depth  
72 x 72 mm Dimensions of front frame

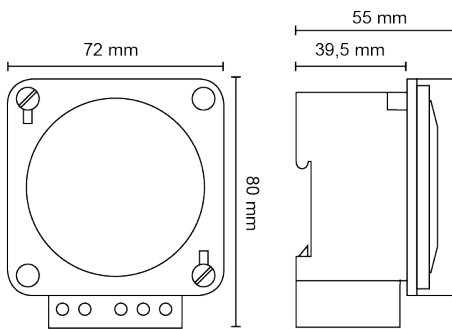
**Compliance with standards**

Protection class	II, according to corresponding mounting
Approval mark	CE
Standards and guidelines	EN 60730-1, EN 60730-2-7

**Scope of delivery**

Housing	Glass
	Terminal cover
	Base

**DIMENSIONAL DRAWINGS**



**CIRCUIT DIAGRAMS**

