

Analogue universal time switches - tactic 111.1

Item No 01.80.0001.1 / EAN Code 4010940003975



PRODUCT DESCRIPTION

APPLICATIONS

- ▶ Machinery control
- ▶ Heating systems control
- ▶ Devices, motors and pumps control



TECHNICAL DATA

Electrical Data

Supply voltage	AC 220-240 V \pm 10% 50 Hz
Current output	Changeover, potential free
Current capacity - ohmic load	16 A / 250 V AC
	21 A / 250 V AC (UL)
Current capacity - inductive load cos.phi 0.6	8 A / 250 V AC
Switching capacity - minimal	100 mA / 20 V AC/DC
Load incandescent bulb	1.300 W
Power consumption	1 VA
Accuracy	Mains synchronised
Power reserve	no

Power connection

Device	Flat connection DIN 6.3
--------	-------------------------

Operating specifications

Manual switch	Automatic mode
	Fix ON/OFF
Channels	1
Tempering protection	Lead-sealable
Program	Daily program (ON/OFF)

Display and format

Shortest switching time	ON/OFF 15 Minutes
-------------------------	-------------------

Operating conditions

Temperature (operation)	-20 °C ... +55 °C
-------------------------	-------------------

General specifications

Drive type	Synchronous
Colour	Grey
Weight	155 g
Dimension	72 x 72 x 55 mm (H x B x T)
	68 x 68 mm control panel section

39,5 mm (T) mounting depth
72 x 72 mm Dimensions of front frame

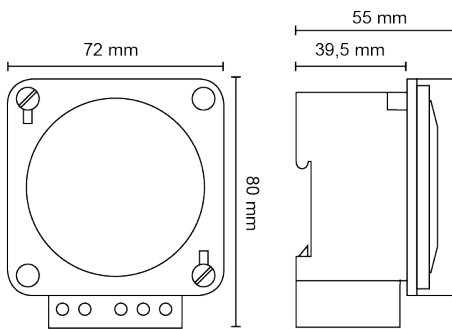
Compliance with standards

Protection class	II, according to corresponding mounting
Approval mark	CE
Standards and guidelines	EN 60730-1, EN 60730-2-7

Scope of delivery

Housing	Glass
	Terminal cover
	Base

DIMENSIONAL DRAWINGS



CIRCUIT DIAGRAMS

