

Analogue time switch modules - FM/1 STuZH

Item No 01.76.0088.1 / EAN Code 4010940000264



PRODUCT DESCRIPTION

APPLICATIONS

- ▶ Household devices control
- ▶ Gas boilers control
- ▶ Devices, motors or pumps control



TECHNICAL DATA

Electrical Data

Supply voltage	AC 220-240 V ± 10% 50 Hz
Current output	Changeover, potential free
Current capacity - ohmic load	16 A / 250 V AC
	21 A / 250 V AC (UL)
Current capacity - inductive load cos.φ 0.6	8 A / 250 V AC
Switching capacity - minimal	100 mA / 20 V AC/DC
Load incandescent bulb	1.350 W
Power consumption	1 VA
Accuracy	Mains synchronised
Power reserve	no

Power connection

Device	Flat connection DIN 6.3
--------	-------------------------

Operating specifications

Manual switch	Automatic mode
	Fix ON/OFF
Channels	1
Program	Daily program (ON/OFF)

Display and format

Shortest switching time	ON/OFF 15 Minutes
Clock	Analogue hands

Operating conditions

Temperature (operation)	-40 °C ... +85 °C
-------------------------	-------------------

General specifications

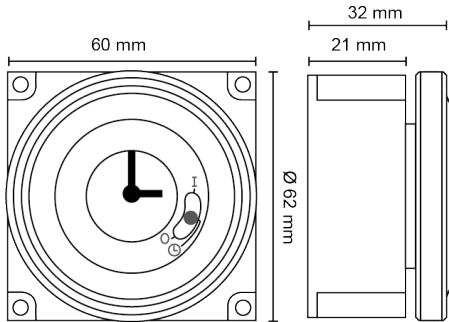
Drive type	Synchronous
Colour	Black/White
Weight	75 g
Dimension	60 x 60 x 32 mm
	64 mm (D) control panel section

21 mm (T) mounting depth

Compliance with standards

Protection class	II, according to corresponding mounting
Approval mark	CE
Standards and guidelines	EN 60730-1, EN 60730-2-7

DIMENSIONAL DRAWINGS



CIRCUIT DIAGRAMS

