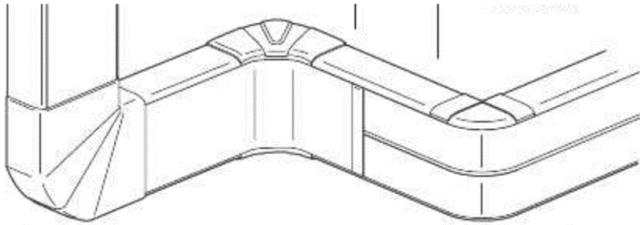


## DLP PVC trunking & accessoires

Number(s) : 10401/02/11/12/21 à 23/24/27/28/29/32/33/52/53/59/61 à 10465/67/69/70/72/73/75/76, 10520 à 22/24/26/82/83/84, 10601 à 03/05 à 07/19/21 à 23/35/36/38/39/50/58/91/92/95/96, 10700 à 03/05 à 08/10/11/22/35 à 40/63 à 65/67/84 à 86/89/90/92, 10793/95/96/98, 10800 à 02/04/06, 30698, 30897/99, 30949



### CONTENTS PAGES

|                             |          |
|-----------------------------|----------|
| 1.Range                     | 1 to 3   |
| 2.Finishing Accessories     | 3 to 7   |
| 3.Complementary Accessories | 8 to 9   |
| 4.Supports                  | 10 to 13 |
| 5.Accessories               | 14 to 17 |
| 6.Technical characteristics | 18 to 19 |
| 7.Material characteristics  | 19       |

### 1. RANGE

DLP PVC trunking offers:

- the distribution, the protection and the derivation of various cables in an electrical installation.
  - trunkings, finishing accessories (end, joint of lid, joint of body, interior angle, exterior angle, flat angle, derivation)
  - all the easy ways/advantages for the installation.
  - to comply with the norm EN 50085-2-1, safety and technical performance.
  - a flexibility with the installation and maintenance:
- Available in length of 2m.
- Fixing by:
- joining (cartridge of adhesive neoprene for glue gun ref. 0 309 49)
  - wall plugs for immediate fixing (without screw nor nail ref. 0 308 99)
  - DLP rapid wall plug ref. 0 308 97 (for 10mm min. plasterboard walls at least 20mm away from a concrete surface. For fixing DLP plastic trunking in a single operation.
  - Spit end (the fast fixing of sections ref. 0 106 95 allows)
  - screw, nails...

For cutting all plastic bodies, use a saw or a DLPlus cutting unit for PVC DLP (ref. 0 306 98)

Possibility of adapting removable separations.  
White color RAL 9003

Assembly of the body and covers by clips (disassembling with the assistance tool ex: screwdriver)

### 1. RANGE (continued)

1.1. Full assembled DLP trunking: supplied with flexible cover(s).

| Number of compartments | Covers width (mm) | Dimensions (mm) | Body and covers complete |
|------------------------|-------------------|-----------------|--------------------------|
|                        | 65                | 35 x 80         | 104 61                   |
|                        | 65                | 50 x 80         | 104 62                   |
|                        | 65                | 50 x 105        | 104 24                   |
|                        | 65 65             | 50 x 150        | 104 27                   |
|                        | 40 65 40          | 50 x 170        | 104 67                   |
|                        | 65 65 65          | 50 x 220        | 104 28                   |
|                        | 85                | 35 x 105        | 104 63                   |
|                        | 85                | 50 x 105        | 104 64                   |
|                        | 65 85             | 50 x 195        | 104 70                   |
|                        | 130               | 50 x 150        | 104 65                   |
|                        | 180               | 50 x 195        | 104 69                   |
|                        | 130               | 65 x 150        | 104 75                   |
|                        | 180               | 65 x 195        | 104 76                   |

# DLP PVC trunking & accessories

Number(s) : 0 104 01/02/11/12/21 to 24/27/28/32/33/52/53/59/60 to 65, 0 104 67/69/70/72/73/75/76, 0 105 20 to 22/24/26/82/83/84, 0 106 01 to 03/05 to 07/19/21/23/35/36/38/39/50/58/91/92/95/96, 0 107 00 to 03/05 to 08/10/11/22/35 to 40/63 to 65/67/84 to 86, 0 107 89/90/92/93/95/96/98, 0108 00 to 02/04/06








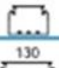
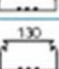


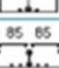
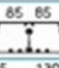



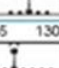


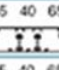
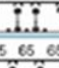

## 1. RANGE (continued)

### 1.2. Adaptable DLP trunking

System to be composed according to the specificities of the building site.

Available in length of 2m without cover.

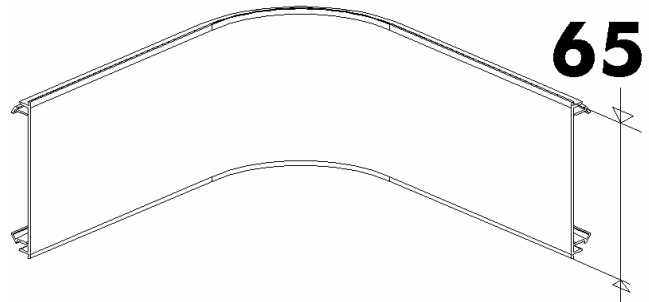
Universal applications, open solutions (assembly of the Mosaic program, Programs Plexo, Hypra, Lexic etc...)

| TRUNKING  |   |   | Bodies  |        |
|---|---|---|---|--------|
| Number of compartments  | Cover(s) width (mm)   | Dimensions (mm)   |  |        |
| 1    |      | 35 X 60   | 104 01  |        |
|   |      | 50 X 60   | 104 02  |        |
|   |      | 35 x 80   | 104 11  |        |
|   |     | 35 x 105  | 104 21  |        |
|   |    | 50 x 80   | 104 12  |        |
|   |    | 50 x 105  | 104 22  |        |
|   |    | 65 x 105  | 104 23  |        |
|   |    | 50 x 150  | 104 32  |        |
|   |    | 65 x 150  | 104 33  |        |
|   |    | 50 x 195  | 104 52  |        |
|   |    | 65 x 195  | 104 53  |        |
|   | 2  |  | 65 x 150  | 104 33 |
|   |   |  | 50 x 195  | 104 52 |
|    |   | 65 x 195  | 104 53  |        |
|    |   | 65 x 220  | 104 59  |        |
| 3  |    | 50 x 195  | 104 52  |        |
|   |    | 65 x 195  | 104 53  |        |
|   |    | 65 x 220  | 104 59  |        |

## 1. RANGE (continued)

### 1.3. Covers

Example with cover 0 105 21 :



Covers available in length of 2m.

Cut out using a saw (standard hacksaw) and of a cut box (ref. 0 306 98)

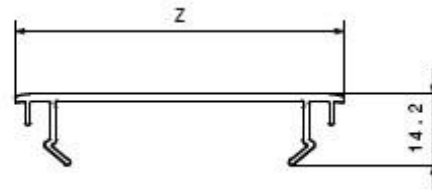
- fixes itself on the whole of the trunking including in the interior/exterior angles (it follows the configuration of the building site).

- clips easy even in the angles and declip using a tool to preserve the safety of the installation.

- the flexible cover of offer DLP make it possible to obtain a system more evolutionary, flexible, with a new aesthetics and allowing a perfect separation of the currents.

White color RAL 9003

Dimensions :



Trunking covers nr :

10401/02/11/12/21/22/24/27/28/32/33/52/53/59/62

| References | Z(mm) | thickness |
|------------|-------|-----------|
| 0 105 20   | 40    | 1.5mm     |
| 0 105 21   | 65    | 1.5mm     |
| 0 105 22   | 85    | 1.5mm     |
| 0 105 24   | 130   | 1.8mm     |
| 0 105 26   | 180   | 1.9mm     |

Assembly bodies-covers by clips (disassembling using a tool e.g.: screwdriver)

# DLP PVC trunking & accessories

Number(s) : 0 104 01/02/11/12/21 to 24/27/28/32/33/52/53/59/60 to 65, 0 104 67/69/70/72/73/75/76, 0 105 20 to 22/24/26/82/83/84, 0 106 01 to 03/05 to 07/19/21/23/35/36/38/39/50/58/91/92/95/96, 0 107 00 to 03/05 to 08/10/11/22/35 to 40/63 to 65/67/84 to 86, 0 107 89/90/92/93/95/96/98, 0108 00 to 02/04/06

## 1. RANGE (continued)

### 1.4. Separations

Separation partition ref. 0 105 82/83/84

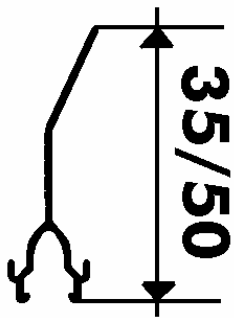
Delivered in length of 2m  
White Color.

For the separation of various types of currents allows (sector, telephone, data processing...)  
Assembly with the body by clips and by gluing resing for ref. 0 105 84

Pack by 16m for ref 0 105 84

Pack by 24m for ref 0 105 82

Pack by 48m for ref 0 105 83



ref 10582

| References | Use with ref                           |
|------------|--|
| 0 105 82   | 0 104 12/21/22/24/27/28/32/52/62/67/70 |
| 0 105 83   | 0 104 33/53/59                         |
| 0 105 84   | 0 104 01/02/11/21                      |

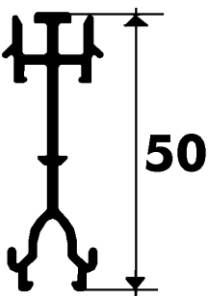
Division partition ref. 0 104 72/73

Available in length of 2m  
White color RAL 9003

For the separation of various types of currents allows (sector, telephone, data processing...)  
Assembly with the body by clips.

Pack by 48m for ref 0 104 72

Pack by 36m for ref 0 104 73

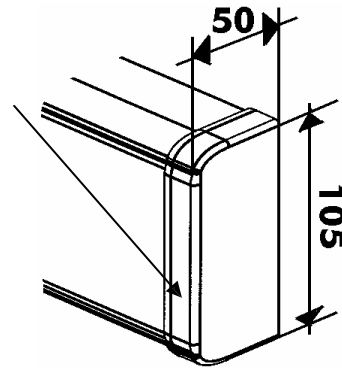


ref 0 104 72

| References | Use with ref   |
|------------|----------------|
| 0 104 72   | 0 104 22/32/70 |
| 0 104 73   | 0 104 33/53/59 |

## 2. FINISHING ACCESSORIES

2.1. End cap ref. 0 107 00/01/02/03/05/06/07/08/10/11/22



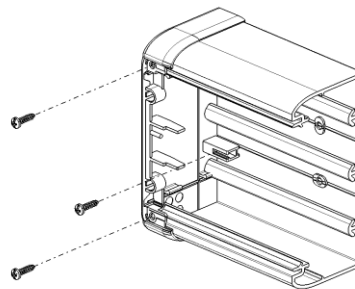
White color RAL 9003

Allows to block the end of the body:

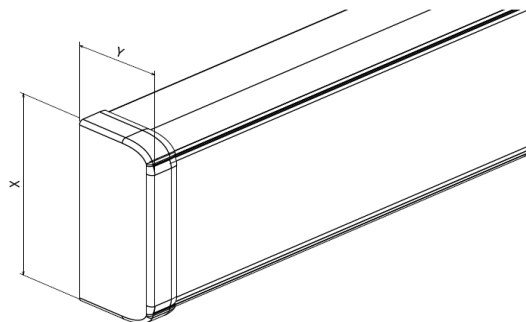
- respect of the protection degree
- improvement of aesthetics (covering of the cut)
- left or right end cap

Assembly on the body by fitment and screwing.

The end cap is delivered with a screw and of a part of closing



Dimensions.



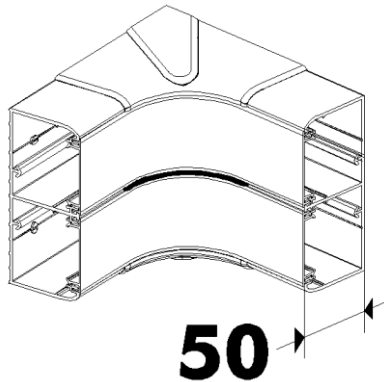
| References | X(mm) | Y(mm) | Use with ref   |
|------------|-------|-------|----------------|
| 0 107 00   | 105   | 50    | 0 104 24       |
| 0 107 01   | 105   | 35    | 0 104 21       |
| 0 107 02   | 105   | 50    | 0 104 22       |
| 0 107 03   | 150   | 50    | 0 104 32/27    |
| 0 107 05   | 220   | 50    | 0 104 28       |
| 0 107 06   | 150   | 65    | 0 104 33       |
| 0 107 07   | 195   | 65    | 0 104 53       |
| 0 107 08   | 220   | 65    | 0 104 59       |
| 0 107 10   | 170   | 50    | 0 104 67       |
| 0 107 11   | 195   | 50    | 0 104 70       |
| 0 107 20   | 60    | 35/50 | 0 104 01/02    |
| 0 107 22   | 80    | 35/50 | 0 104 11/12/62 |

# DLP PVC trunking & accessories

Number(s) : 0 104 01/02/11/12/21 to 24/27/28/32/33/52/53/59/60 to 65, 0 104 67/69/70/72/73/75/76, 0 105 20 to 22/24/26/82/83/84, 0 106 01 to 03/05 to 07/19/21/23/35/36/38/39/50/58/91/92/95/96, 0 107 00 to 03/05 to 08/10/11/22/35 to 40/63 to 65/67/84 to 86, 0 107 89/90/92/93/95/96/98, 0108 00 to 02/04/06

## 2. FINISHING ACCESSORIES (continued)

2.2. Internal angle ref. 0 106 01/02/03/05/06/07/50/58



White color RAL 9003

The two pieces junction in the interior angle:

- avoid the cut of miter on the trunking
- respect of the degree protection
- aesthetics improves (covering of the cut and not or little extra thickness)

Assembly on the body by clipsage.

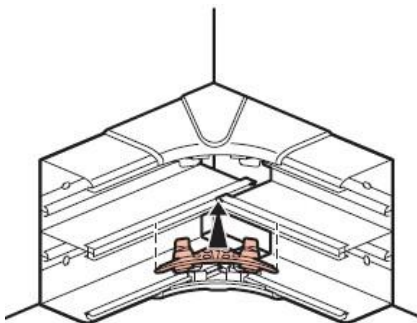
The internal angles thus ensure the continuity of the flexible cover on the angles and do not require cut of cover, and keep aesthetics. Variable internal angles of 80 with 100°.

The interior angles are delivered with:

- 1 element to some extent high
- 1 element to some extent low part

To simplify the offer, some references of angles are delivered with junctions of partition (in the case as of profiled with several compartments).

The internal angles are delivered with 2 elements (ex: for trunking 1 compartment) or with 3 elements (ex: for trunking 2 compartments with partition junction)

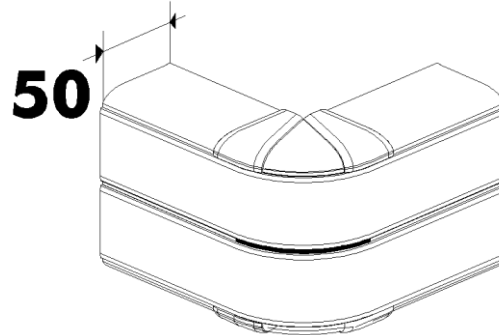


| References | X(mm) | Partition junction | Use with ref         |
|------------|-------|--------------------|----------------------|
| 0 106 01   | 35    | 0                  | 0 104 01/11/21       |
| 0 106 02   | 50    | 0                  | 0 104 02/12/22/32/62 |
| 0 106 03   | 65    | 0                  | 0 104 33/53          |
| 0 106 05   | 50    | 0                  | 0 104 24             |
| 0 106 06   | 50    | 1                  | 0 104 27/70          |
| 0 106 07   | 65    | 1                  | 0 104 33/53/59       |
| 0 106 50   | 50    | 2                  | 0 104 28/67          |
| 0 106 58   | 65    | 2                  | 0 104 53/59          |

The supports of equipment should not be installed at least with 100mm on each side of the edge of the angles.

## 2. FINISHING ACCESSORIES (continued)

2.3. External angle ref. 0 106 19/21/22/23/35/36/38/39



White color RAL 9003

The junction in exterior angle of two pieces of the same section:

- avoid the cut of miter on the trunking
- respect of the degree protection
- aesthetics improves (covering of the cut and not or little extra thickness)

Assembly on the body by clipsage.

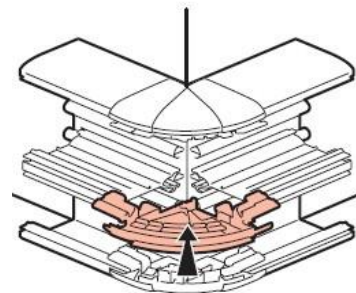
The external angles thus ensure the continuity of the flexible cover on the angles and do not require cut of cover, and keep aesthetics. Variable external angles of 60 with 120°.

The external angles are delivered with:

- 1 element to some extent high
- 1 element to some extent low part

To simplify the offer, some references of angles are delivered with junctions of partition (in the case as of profiled with several compartments).

The external angles are delivered with 2 elements (ex: for trunking 1 compartment) or with 3 elements (ex: for trunking 2 compartments with partition junction)



| References | X(mm) | Partition junction | Use with ref         |
|------------|-------|--------------------|----------------------|
| 0 106 19   | 50    | 0                  | 0 104 24             |
| 0 106 21   | 35    | 0                  | 0 104 01/11/21       |
| 0 106 22   | 50    | 0                  | 0 104 02/12/22/32/62 |
| 0 106 23   | 65    | 0                  | 0 104 33/53          |
| 0 106 35   | 50    | 1                  | 0 104 27/70          |
| 0 106 36   | 65    | 1                  | 0 104 33/53/59       |
| 0 106 38   | 50    | 2                  | 0 104 28/67          |
| 0 106 39   | 65    | 2                  | 0 104 53/59          |

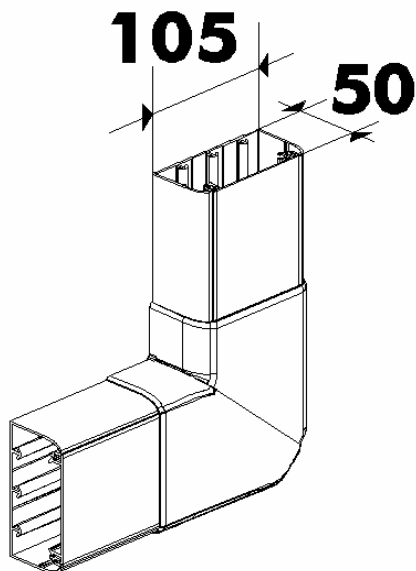
The supports of equipment should not be installed at least with 100mm on each side of the edge of the angles.

# DLP PVC trunking & accessories

Number(s) : 0 104 01/02/11/12/21 to 24/27/28/32/33/52/53/59/60 to 65, 0 104 67/69/70/72/73/75/76, 0 105 20 to 22/24/26/82/83/84, 0 106 01 to 03/05 to 07/19/21/23/35/36/38/39/50/58/91/92/95/96, 0 107 00 to 03/05 to 08/10/11/22/35 to 40/63 to 65/67/84 to 86, 0 107 89/90/92/93/95/96/98, 0108 00 to 02/04/06

## 2. FINISHING ACCESSORIES (continued)

2.4. Flat angle ref 0 107 67/84/85/86/89/90/92/93/95/96/98



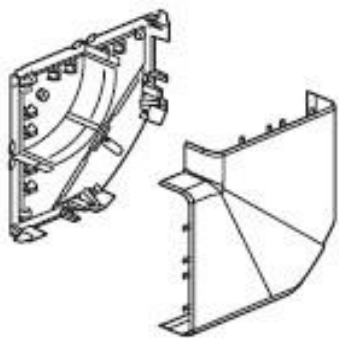
White color RAL 9003

The junction in flat angle of two same sections allows:

- avoid the cut of miter on the trunking
  - respect of the degree protection
  - the distribution of the various currents preserves
  - aesthetics (covering of the cut) improves
- Assembly on the body by clipsage.

Flat angles are variable (90°± 2.5°).

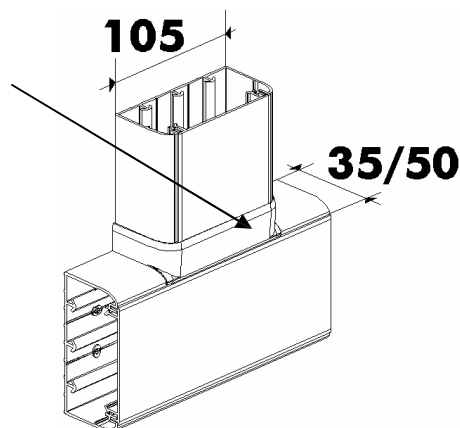
The flat angles are delivered with 2 elements:



| References | Trunking | Use with ref   |
|------------|----------|----------------|
| 0 107 67   | 80x35/50 | 0 104 11/12/62 |
| 0 107 84   | 105x35   | 0 104 21       |
| 0 107 85   | 105x50   | 0 104 22       |
| 0 107 86   | 105x50   | 0 104 24       |
| 0 107 89   | 150x50   | 0 104 27/32    |
| 0 107 90   | 150x65   | 0 104 33       |
| 0 107 92   | 195x50   | 0 104 70       |
| 0 107 93   | 195x65   | 0 104 53       |
| 0 107 95   | 220x50   | 0 104 28       |
| 0 107 96   | 220x65   | 0 104 59       |
| 0 107 98   | 170x50   | 0 104 67       |

## 2. FINISHING ACCESSORIES (continued)

2.5. Flat junction ref.0 107 35/36/37/38/39/40



0 107 35 : To tap-off to an 80mm wide trunking

0 107 36 : To tap-off to an 105mm wide trunking equipped with an 85mm cover

0 107 37 : To tap-off to an 105mm wide trunking equipped with an 65mm cover

0 107 38 : To tap-off to an 105mm wide and 50mm deep trunking.

0 107 39 : To tap-off to an 80mm wide branch.

0 107 40 : To tap-off to an 105mm wide branch.

White color RAL 9003

The junction in "T" allows.

- respect of the degree protection
- aesthetics (covering of the cut) improves

Assembly on the body by clipsage

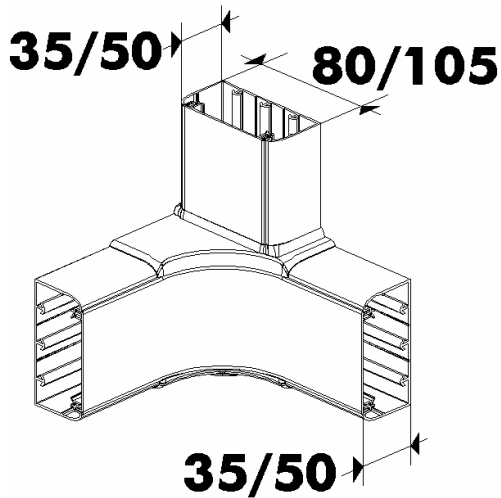
| References trunking | To tap-off to an 80 mm wide trunking | To tap-off to an 105 mm wide trunking |
|---------------------|--------------------------------------|---------------------------------------|
| 0 104 62            | 0 107 35                             | -                                     |
| 0 104 24            | 0 107 39                             | 0 107 40                              |
| 0 104 27            | 0 107 35                             | 0 107 36/37                           |
| 0 104 28            | 0 107 35                             | 0 107 36/37                           |
| 0 104 11            | 0 107 35                             | -                                     |
| 0 104 12            | 0 107 35                             | -                                     |
| 0 104 21            | 0 107 35                             | 0 107 36                              |
| 0 104 22            | 0 107 35                             | 0 107 36/37                           |
| 0 104 32            | 0 107 35                             | 0 107 36/37                           |
| 0 104 33            | 0 107 35                             | 0 107 38                              |
| 0 104 53            | 0 107 35                             | 0 107 38                              |
| 0 104 59            | 0 107 35                             | 0 107 38                              |
| 0 104 67            | 0 107 35                             | 0 107 36/37                           |
| 0 104 70            | 0 107 35                             | 0 107 36/37                           |

# DLP PVC trunking & accessories

Number(s) : 0 104 01/02/11/12/21 to 24/27/28/32/33/52/53/59/60 to 65, 0 104 67/69/70/72/73/75/76, 0 105 20 to 22/24/26/82/83/84, 0 106 01 to 03/05 to 07/19/21/23/35/36/38/39/50/58/91/92/95/96, 0 107 00 to 03/05 to 08/10/11/22/35 to 40/63 to 65/67/84 to 86, 0 107 89/90/92/93/95/96/98, 0108 00 to 02/04/06

## 2. FINISHING ACCESSORIES (continued)

2.6. Angled junction ref. 0 107 63/64/65.

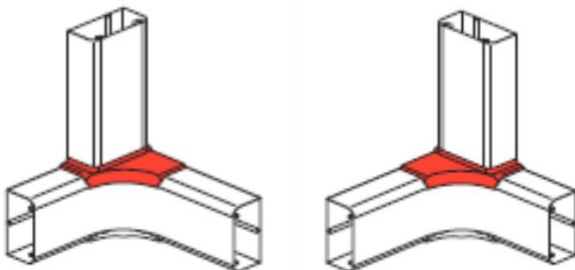


Angled junction (to be associated with the interior angles)

- the distribution of the various currents preserves
- respect of the degree protection
- aesthetics (covering of the cut) improve

Assembly on the body by clipsage.  
White color RAL 9003

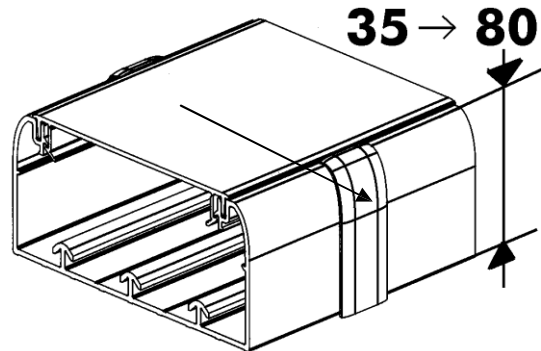
Assembly in angle on wall left-hand side trunkings 50x80mm or 50x105mm.  
Assembly in angle on wall right-hand side trunkings 50x80mm or 50x105mm.



| References trunking | Angled junction | Internal angle |
|---------------------|-----------------|----------------|
| 0 104 62            | 0 107 63        | 0 106 02       |
| 0 104 24            | 0 107 65        | 0 106 05       |
| 0 104 27            | 0 107 63        | 0 106 06       |
| 0 104 28            | 0 107 63        | 0 106 50       |
| 0 104 11            | 0 107 63        | 0 106 01       |
| 0 104 12            | 0 107 63        | 0 106 02       |
| 0 104 21            | 0 107 63        | 0 106 01       |
| 0 104 22            | 0 107 63        | 0 106 02       |
| 0 104 32            | 0 107 63        | 0 106 02/06    |
| 0 104 33            | 0 107 64        | 0 106 03/07    |
| 0 104 53            | 0 107 64        | 0 106 03/07/58 |
| 0 104 59            | 0 107 64        | 0 106 07/58    |
| 0 104 67            | 0 107 63        | 0 106 50       |
| 0 104 70            | 0 107 63        | 0 106 06       |
| 0 104 01            | 0 107 61        | 0 106 01       |
| 0 104 02            | 0 107 63        | 0 106 02       |

## 2. FINISHING ACCESSORIES (continued)

2.7. Body joint ref. 0 106 91/92/96



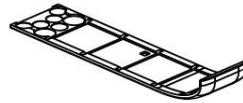
White color RAL 9003

Allows:

- the junction end to end of two same section
- respect of the degree protection
- to improve aesthetics (covering of the cut)
- fixing by adhesive, poses at the end of the installation

- to aligne bases during installation (ref. 0 106 91) and (ref.0 106 96 for trunking 105x50 with cover 65mm)
- to fit at the end of installation (ref. 0 106 92)

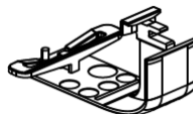
Ref 0 106 92, body joint, attached with adhesive :



Ref 0 106 91, body joint (for aligning bases during installation)



Ref 0 106 96, body joint (for aligning bases during installation for trunking 105x50 equipped with cover 65mm) :

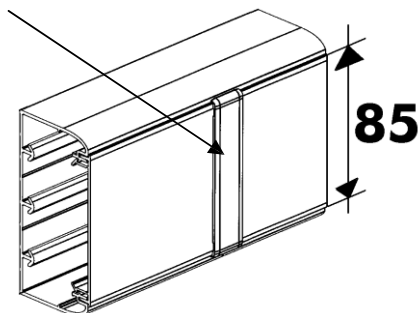


# DLP PVC trunking & accessories

Number(s) : 0 104 01/02/11/12/21 to 24/27/28/32/33/52/53/59/60 to 65, 0 104 67/69/70/72/73/75/76, 0 105 20 to 22/24/26/82/83/84, 0 106 01 to 03/05 to 07/19/21/23/35/36/38/39/50/58/91/92/95/96, 0 107 00 to 03/05 to 08/10/11/22/35 to 40/63 to 65/67/84 to 86, 0 107 89/90/92/93/95/96/98, 0108 00 to 02/04/06

## 2. FINISHING ACCESSORIES (continued)

2.8. Cover joint ref. 0 108 00/01/02/04/06.



White color RAL 9003

Allows:

- the junction end to end of two covers
- respect of the degree protection
- to improve aesthetics (covering of the cut)

Assembly of the joint by clips

Pack by 10

Assembly of the cover joint by clips of the two parts

| References | Covers | Use with ref |
|------------|--------|--------------|
| 0 108 00   | 40     | 0 105 20     |
| 0 108 01   | 65     | 0 105 21     |
| 0 108 02   | 85     | 0 105 22     |
| 0 108 04   | 130    | 0 105 24     |
| 0 108 06   | 180    | 0 105 26     |

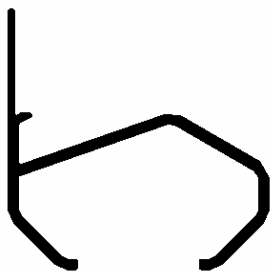
## 2. FINISHING ACCESSORIES (continued)

2.9 Sockets :

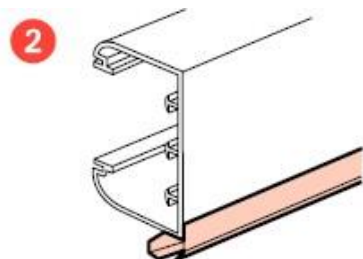
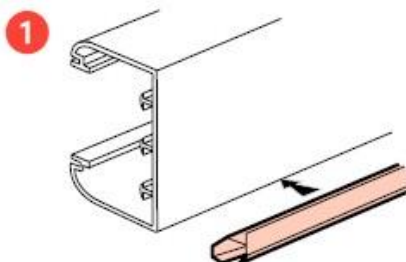
| MOSAIC SOCKETS OUTLETS - AUTOMATIC TERMINALS<br>GERMAN STANDARD |  |          |        |             |
|---|--|----------|--------|-------------|
|   |  | Standard | Red    | Tamperproof |
| 2P+E,<br>2 modules  |  | 774 01   | -      | 774 21      |
| 2 x 2P+E,<br>4 modules  |  | 774 02   | 774 12 | 774 22      |
| 3 x 2P+E,<br>6 modules  |  | 774 03   | 774 13 | 774 23      |
| 4 x 2P+E,<br>8 modules  |  | 774 04   | -      | 774 24      |
| MOSAIC SOCKETS OUTLETS - SCREW TERMINALS<br>GERMAN STANDARD     |  |          |        |             |
|   |  | Standard | Red    | Tamperproof |
| 2P+E,<br>2 modules  |  | 776 01   | -      | 776 21      |
| 2 x 2P+E,<br>4 modules  |  | 776 02   | 776 12 | 776 22      |
| 3 x 2P+E,<br>6 modules  |  | 776 03   | 776 13 | 776 23      |
| 4 x 2P+E,<br>8 modules  |  | 776 04   | -      | 776 24      |

## 3. COMPLEMENTARY ACCESSORIES.

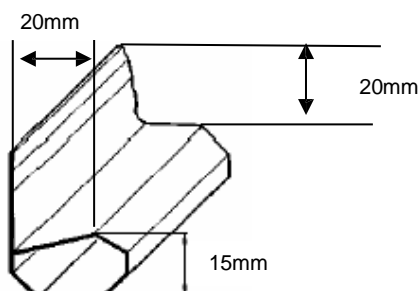
### 3.1 Height spacer ref 0 105 80



Available in length of 2m, colour: charcoal grey.  
Allows to use the trunking on the ground



Dimensions.



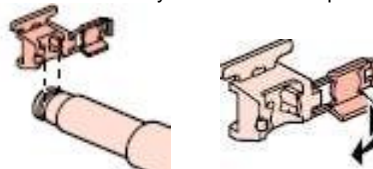
## 3. COMPLEMENTARY ACCESSORIES (continued)

### 3.2 Spit end cap ref.0 106 95.

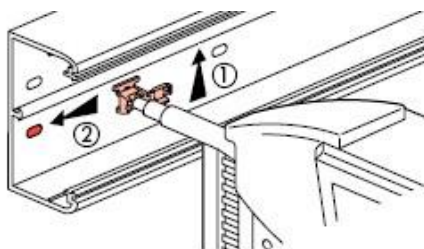
For rapid fixing of the trunking with the Spit Pulsa 700 (use 20mm Spit nails)

The adapter has a shutter making it possible to hide the nail after fixing.

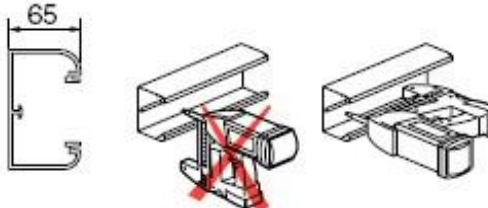
Fixes itself directly on the nose of Spit Pulsa 700.



For a perfect centering of the point, to make slip the adapter to the pastille until blocking.



Attention for fixing in height 65mm, it is necessary to incline the Spit Pulsa.





# DLP PVC trunking & accessories

Number(s) : 0 104 01/02/11/12/21 to 24/27/28/32/33/52/53/59/60 to 65, 0 104 67/69/70/72/73/75/76, 0 105 20 to 22/24/26/82/83/84, 0 106 01 to 03/05 to 07/19/21/23/35/36/38/39/50/58/91/92/95/96, 0 107 00 to 03/05 to 08/10/11/22/35 to 40/63 to 65/67/84 to 86, 0 107 89/90/92/93/95/96/98, 0108 00 to 02/04/06

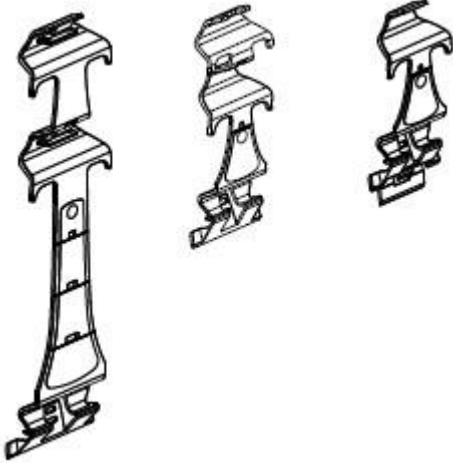
## 3. COMPLEMENTARY ACCESSORIES (continued)

3.3 Clip ref. 0 106 81/82/86

Ref 0 106 86

Ref 0 106 82

Ref 0 106 81



Allows:

- to retain the cables inside the trunking
- Assembly of the clip by clips inside the body of the trunking

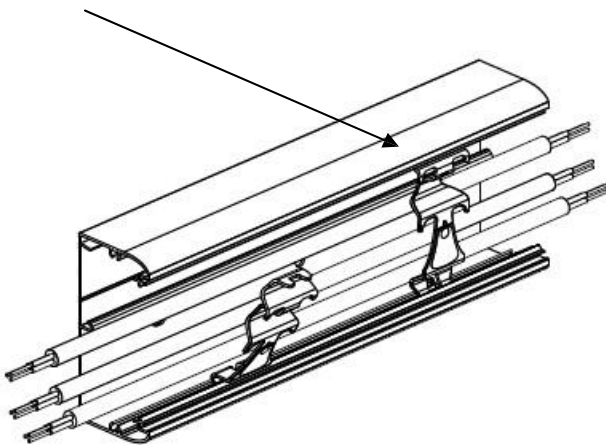
| References | Covers     |
|------------|------------|
| 0 106 81   | 65mm       |
| 0 106 82   | 40/65/85mm |
| 0 106 86   | 130/180mm  |

Grey Colour.

Warning with the use of the ref. 0 106 81:

To use only with the trunking ref. 0 104 24 (it is not possible to cut clip ref. 0 106 82 in position cover 65mm and to assemble it in this one)

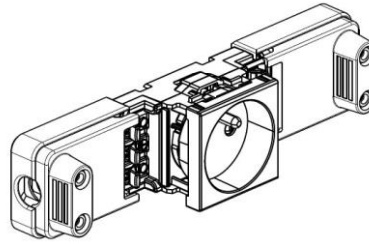
The clip maintains the cables in the trunking at the end of the installation



The clip is fixed on the chute making it possible to retain the cables under installation

## 3. COMPLEMENTARY ACCESSORIES (continued)

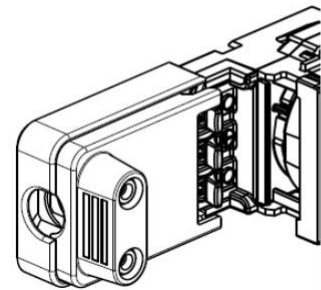
3.4 End cap of connection ref. 0 898 07.



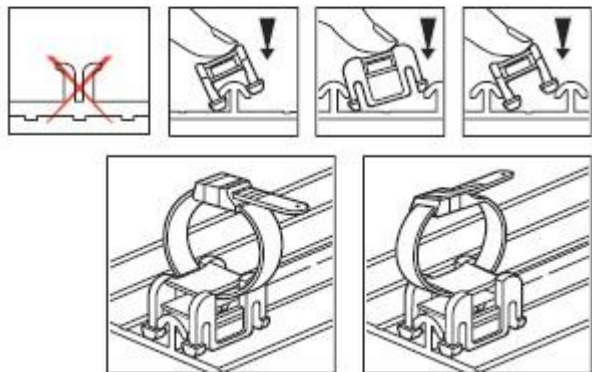
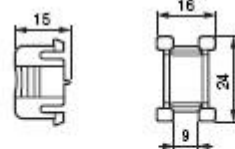
Positions at the end of all the sockets 2P+T with bilateral connection for DLP

Material ABS  
Provide the function cable clamp using 2 screws  
Ensure the protection of connections

Dimensions :



3.5 Base for clamp ref. 0 308 81



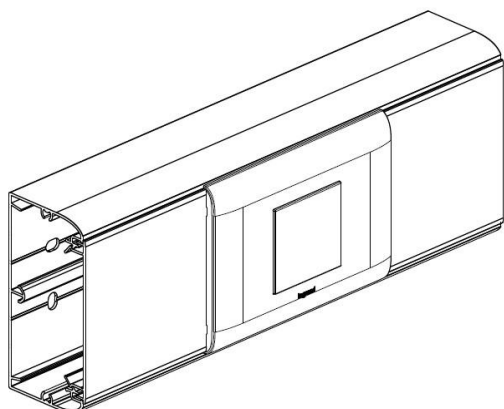
For more information concerning reference 0 308 81, to see data sheet N° F00139FR/07

# DLP PVC trunking & accessories

Number(s) : 0 104 01/02/11/12/21 to 24/27/28/32/33/52/53/59/60 to 65, 0 104 67/69/70/72/73/75/76, 0 105 20 to 22/24/26/82/83/84, 0 106 01 to 03/05 to 07/19/21/23/35/36/38/39/50/58/91/92/95/96, 0 107 00 to 03/05 to 08/10/11/22/35 to 40/63 to 65/67/84 to 86, 0 107 89/90/92/93/95/96/98, 0108 00 to 02/04/06

## 4. SUPPORTS.

4.1 Supports for Mosaic ref. 0 109 52/54/56/58/92/94/96/98



Supports delivered with finishing plate in white colour.

White color RAL 9003

Allows:

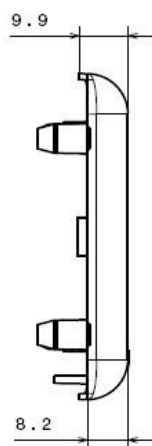
- the assembly on trunking equipped with lid 65mm or 85mm of Mosaic sockets for trunking of 3/2/4 /6/8 modules.
- the assembly of the Mosaic sockets 2 modules French standard in horizontal position and vertical with supports 0 109 52 and 0 109 92 (only horizontal for the other supports)

Use of the Mosaic supports according to the covers of trunking:

|            | Supp<br>2 mod. | Supp<br>4 mod. | Supp<br>6 mod. | Supp<br>8 mod. |
|------------|----------------|----------------|----------------|----------------|
| CV<br>65mm | 0 109 52       | 0 109 54       | 0 109 56       | 0 109 58       |
| CV<br>85mm | 0 109 92       | 0 109 94       | 0 109 96       | 0 109 98       |

Dimensions :

Thickness plates

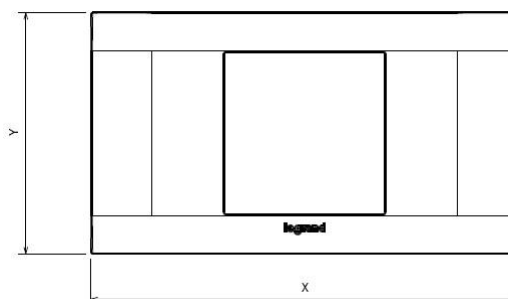


## 4. SUPPORTS (continued)

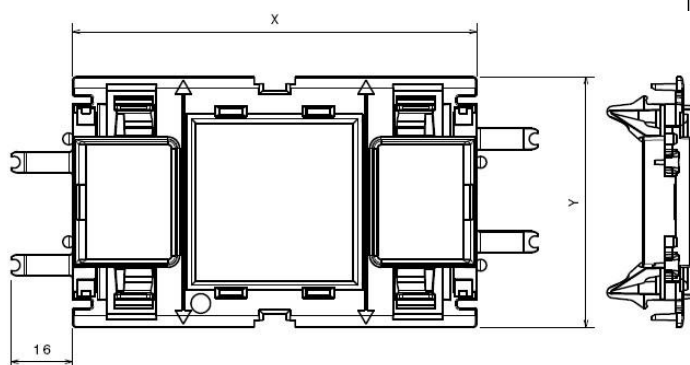
4.1 Supports for Mosaic ref. 0 109 52/54/56/58/92/94/96/98

Dimensions :

Plate :



Support :



For cover 65mm.

Y (mm) = the plates width 67.5mm, the supports width 64.5mm.

|                  | 2 mod.<br>0 109 52 | 4 mod.<br>0 109 54 | 6 mod.<br>0 109 56 | 8 mod.<br>0 109 58 |
|------------------|--------------------|--------------------|--------------------|--------------------|
| support<br>X(mm) | 104                | 149.2              | 194.4              | 239.6              |
| plate<br>X(mm)   | 120                | 165.2              | 210.4              | 255.6              |

For cover 85mm.

Y (mm) = the plates width 90mm, the supports width 87mm.

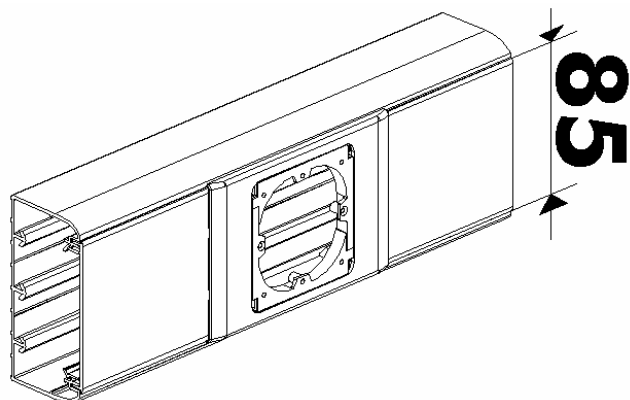
|                  | 2 mod.<br>0 109 92 | 4 mod.<br>0 109 94 | 6 mod.<br>0 109 96 | 8 mod.<br>0 109 98 |
|------------------|--------------------|--------------------|--------------------|--------------------|
| support<br>X(mm) | 104                | 149.2              | 194.4              | 239.6              |
| plate<br>X(mm)   | 120                | 165.2              | 210.4              | 255.6              |

# DLP PVC trunking & accessories

Number(s) : 0 104 01/02/11/12/21 to 24/27/28/32/33/52/53/59/60 to 65, 0 104 67/69/70/72/73/75/76, 0 105 20 to 22/24/26/82/83/84, 0 106 01 to 03/05 to 07/19/21/23/35/36/38/39/50/58/91/92/95/96, 0 107 00 to 03/05 to 08/10/11/22/35 to 40/63 to 65/67/84 to 86, 0 107 89/90/92/93/95/96/98, 0108 00 to 02/04/06

## 4. SUPPORTS (continued)

4.2 Universal supports ref. 0 109 13/23/33/43/14/24/34/44



Supports delivered with finishing plate in white colour.

White color RAL 9003

Allows:

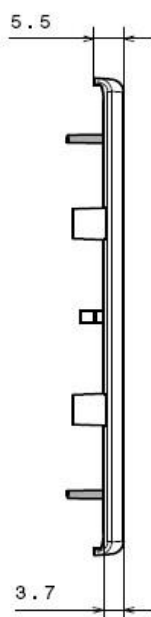
- the assembly on trunking equipped with covers 85mm or 130mm of equipment 2/4/6/8 modules Programme Mosaic, Programme Céliane, Programme Plexo or another equipment distance between centres 60mm
- assembly of possible Mosaic equipment on cover 130mm with 0 109 14/24/34/44 + metal support.
- possibility of assembly into vertical with 0 109 13 and 0 109 14.

Use of the Mosaic supports according to the covers of trunking:

|             | Support<br>1 poste. | Support<br>2 postes. | Support<br>3 postes. | Support<br>4 postes. |
|-------------|---------------------|----------------------|----------------------|----------------------|
| CV<br>85mm  | 0 109 13            | 0 109 23             | 0 109 33             | 0 109 43             |
| CV<br>130mm | 0 109 14            | 0 109 24             | 0 109 34             | 0 109 44             |

Dimensions :

Thickness plates

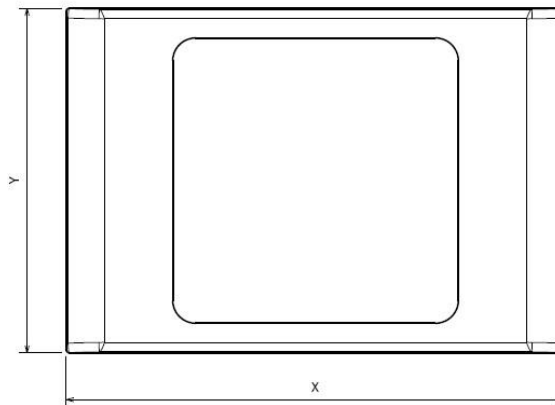


## 4. SUPPORTS (continued)

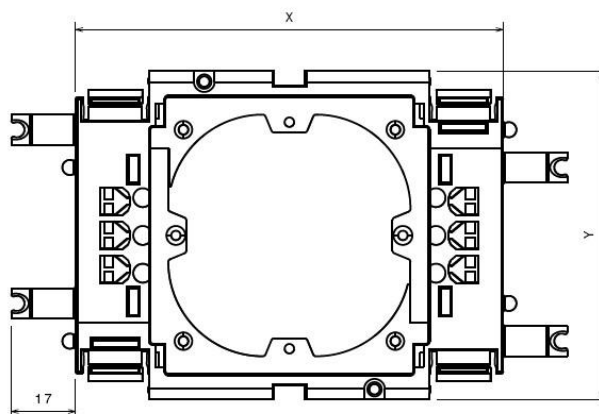
4.2 Universal supports ref. 0 109 13/23/33/43/14/24/34/44

Dimensions :

Plate :



Support :



For cover 85mm.

Y (mm) = the plates width 90mm, the supports width 87mm.

|       | Support<br>1 poste<br>0 109 13 | Support<br>2 postes<br>0 109 23 | Support<br>3 postes<br>0 109 33 | Support<br>4 postes<br>0 109 43 |
|-------|--------------------------------|---------------------------------|---------------------------------|---------------------------------|
| X(mm) | 130                            | 201                             | 272                             | 343                             |
| Y(mm) | 113                            | 184                             | 255                             | 326                             |

For cover 130mm.

Y (mm) = the plates width 135mm, the supports width 132mm.

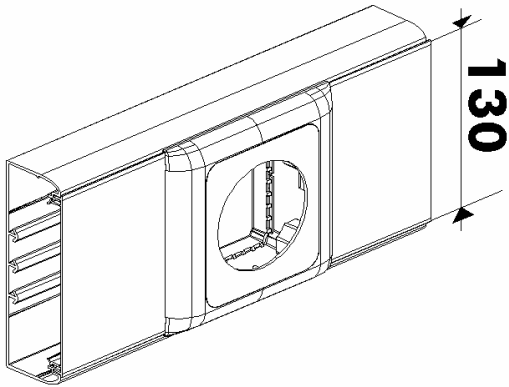
|       | Support<br>1 poste<br>0 109 14 | Support<br>2 postes<br>0 109 24 | Support<br>3 postes<br>0 109 34 | Support<br>4 postes<br>0 109 44 |
|-------|--------------------------------|---------------------------------|---------------------------------|---------------------------------|
| X(mm) | 130                            | 201                             | 272                             | 343                             |
| Y(mm) | 113                            | 184                             | 255                             | 326                             |

# DLP PVC trunking & accessories

Number(s) : 0 104 01/02/11/12/21 to 24/27/28/32/33/52/53/59/60 to 65, 0 104 67/69/70/72/73/75/76, 0 105 20 to 22/24/26/82/83/84, 0 106 01 to 03/05 to 07/19/21/23/35/36/38/39/50/58/91/92/95/96, 0 107 00 to 03/05 to 08/10/11/22/35 to 40/63 to 65/67/84 to 86, 0 107 89/90/92/93/95/96/98, 0108 00 to 02/04/06

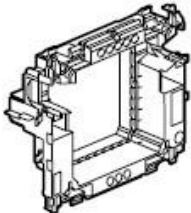
## 4. SUPPORTS (continued)

4.3 Hypra socket support ref. 0 109 00



Supports delivered with finishing plate in white colour. White color RAL 9003

1 industrial support cover 130mm in grey colour.



Only for cover 130mm.  
Dimensions = support 130mm x 142mm

3 industrial plates in white colour.  
(1 plate A diameter 52mm/1 plate B diameter 63mm et 1 plate C diameter 73mm)

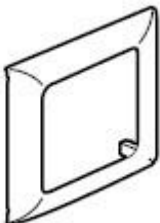


4 screw TC diameter 4x20mm  
8 screw CS 3x19mm

Allows:

- the assembly on the trunking (equipped with cover 130mm) of the industrial sockets plastic P17 in horizontal position or vertical (see the dimensions of the sockets in the catalog)
- the assembly of the sockets Plexo.
- the assembly of the sockets Plexo 20A/32A IP 44 IK 08.

Dimensions :



Only for cover 130mm.  
Dimensions = cover plate 135mm x 152mm

## 4. SUPPORTS (continued)

4.3 Hypra socket support ref. 0 109 00

Industrial plates allowing the assembly of support hypra

Plate A diameter 52mm :

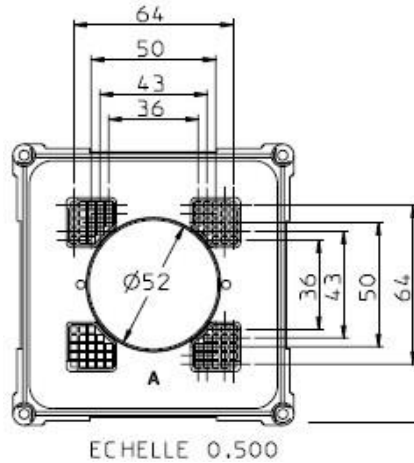


Plate B diameter 63mm

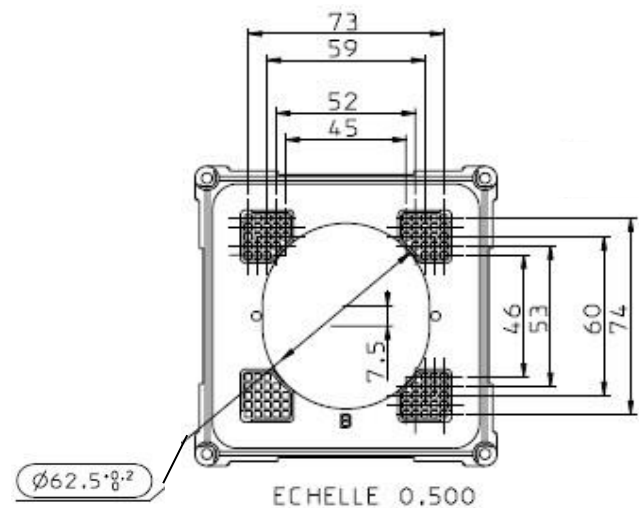
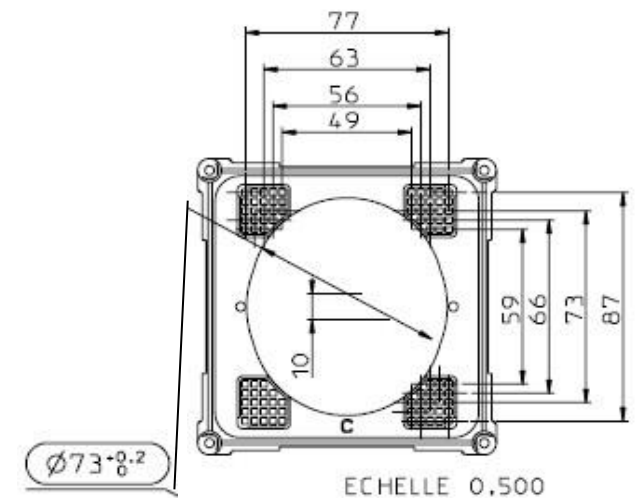


Plate C diameter 73mm

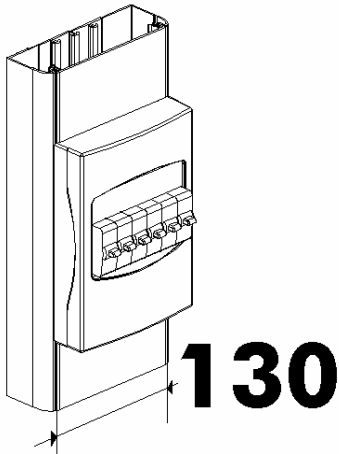


# DLP PVC trunking & accessories

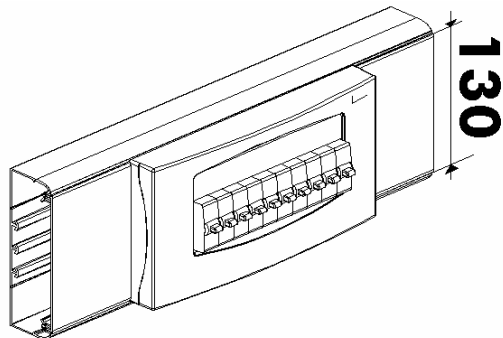
Number(s) : 0 104 01/02/11/12/21 to 24/27/28/32/33/52/53/59/60 to 65, 0 104 67/69/70/72/73/75/76, 0 105 20 to 22/24/26/82/83/84, 0 106 01 to 03/05 to 07/19/21/23/35/36/38/39/50/58/91/92/95/96, 0 107 00 to 03/05 to 08/10/11/22/35 to 40/63 to 65/67/84 to 86, 0 107 89/90/92/93/95/96/98, 0108 00 to 02/04/06

## 4. SUPPORTS (continued)

4.4 Legrand Lexic support ref. 0 109 05/25/35/65/85.



Assembly on trunking into vertical for 0 109 25, 0 109 35 and 0 109 65.



Assembly on trunking into horizontal for 0 109 05/0 109 85.

Supports delivered with finishing plate in white colour

White color RAL 9003

Allows:

- the assembly on trunking equipped with covers 65/85mm or 130mm of Lexic 2/3/6/8/10 modules

|             | Supp<br>10 mod. | Supp<br>2 mod. | Supp<br>3 mod. | Supp<br>6 mod. | Supp<br>8 mod. |
|-------------|-----------------|----------------|----------------|----------------|----------------|
| CV<br>65mm  | -               | 10925          | -              | -              | -              |
| CV<br>85mm  | -               | -              | 10935          | -              | -              |
| CV<br>130mm | 10905           | -              | -              | 10965          | 10985          |

Dimensions :

H = 35.5mm for the height of the plates

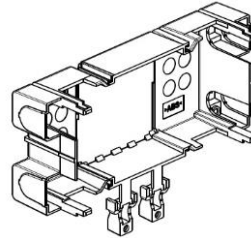
Y = the plates width 131mm

|                  | 10 mod.<br>CV 130<br>10905 | 2 mod.<br>CV 65<br>10925 | 3 mod.<br>CV 85<br>10935 | 6 mod.<br>CV 130<br>10965 | 8 mod.<br>CV 130<br>10985 |
|------------------|----------------------------|--------------------------|--------------------------|---------------------------|---------------------------|
| support<br>X(mm) | 264                        | 175                      | 175                      | 175                       | 228                       |
| plate<br>X(mm)   | 274                        | 185                      | 185                      | 185                       | 238                       |

## 4. SUPPORTS (continued)

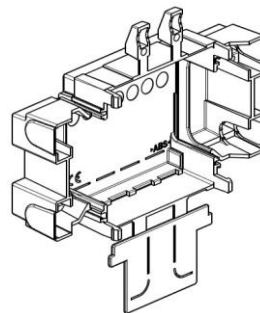
4.5 Insulation unit ref 0 109 27.

Insulation unit for 2 modules, can be fitted together to create 4, 6 and 8 modules supports



2.7 Insulation unit ref 0 109 17.

Insulation unit for 2 modules, can be fitted together to create 4, 6 and 8 modules supports

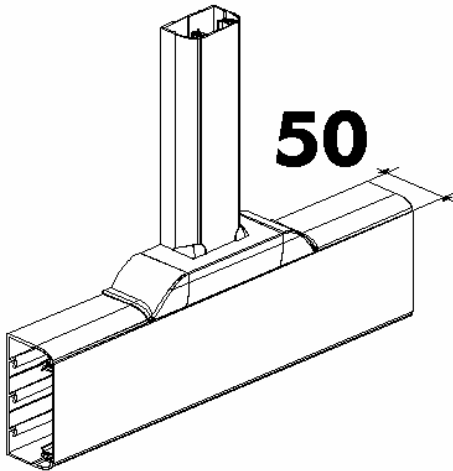


# DLP PVC trunking & accessories

Number(s) : 0 104 01/02/11/12/21 to 24/27/28/32/33/52/53/59/60 to 65, 0 104 67/69/70/72/73/75/76, 0 105 20 to 22/24/26/82/83/84, 0 106 01 to 03/05 to 07/19/21/23/35/36/38/39/50/58/91/92/95/96, 0 107 00 to 03/05 to 08/10/11/22/35 to 40/63 to 65/67/84 to 86, 0 107 89/90/92/93/95/96/98, 0108 00 to 02/04/06

## 5. ACCESSORIES

### 5.1 Flat junctions ref. 0 107 31/32/33



White color RAL 9003

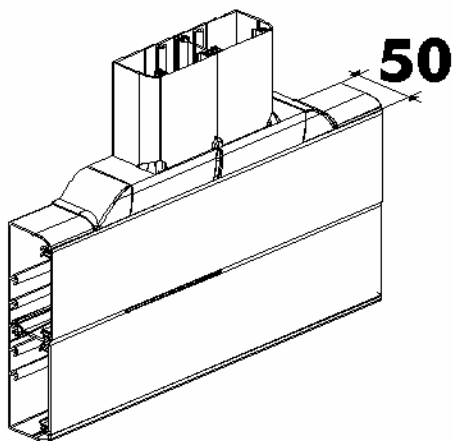
The junction in "T" allows.

- respect of the degree protection
  - aesthetics (covering of the cut) improves
- Assembly on the body by clip

- 0 107 31 : For trunking H 35mm to tap-off to a trunking H 35mm
- 0 107 32 : For trunking H 50mm to tap-off to a trunking H 50mm
- 0 107 33 : For trunking H 65mm to tap-off to a trunking H 65mm

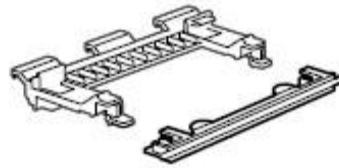
For ref. 0 107 32/33 and to tap-off to a trunking width superior to 105mm, to use:

- 2 derivations of body (ex: to derive from a trunking 150x50 to a the same trunking 150x50, to use 2x0 107 32)
- 3 derivations of body (ex: to derive from a trunking 220x65 to a the same trunking 220x65, to use 3x0 107 33)



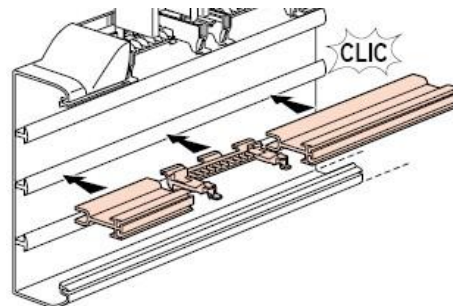
## 5. ACCESSORIES (continued)

### 5.2 Complementary for flat junctions ref. 0 107 42/43.



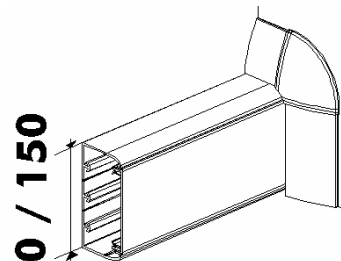
Allow the derivation of the cables since the compartment of the bottom.

- 0 107 42 for trunking H 50mm.
- 0 107 43 for trunking H 65mm.



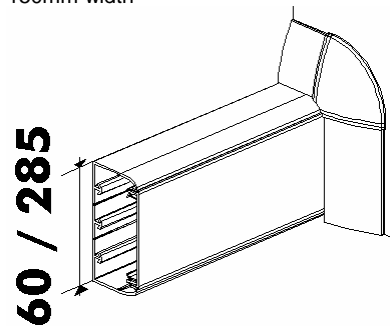
Fix itself directly in the bottom of the trunking (on the "T") between two pieces of division partition.

### 5.3 All feedthroughs ref.0 106 98/99.



150mm width

Ref.0 106 98 for trunking 80 to



195 to 220mm width.

Ref.0 106 99 for trunking

- Provide a finish between the trunking and the wall
- aesthetics improve (covering of the cut of the wall)
- assembly on the body by clipsage.

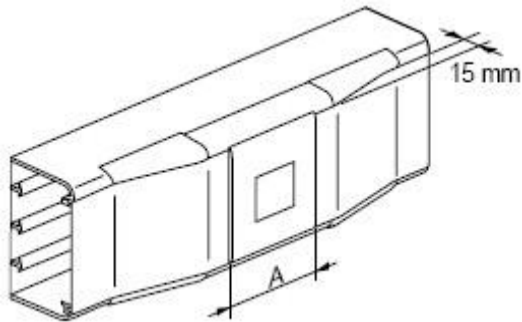
White color RAL 9003

# DLP PVC trunking & accessories

Number(s) : 0 104 01/02/11/12/21 to 24/27/28/32/33/52/53/59/60 to 65, 0 104 67/69/70/72/73/75/76, 0 105 20 to 22/24/26/82/83/84, 0 106 01 to 03/05 to 07/19/21/23/35/36/38/39/50/58/91/92/95/96, 0 107 00 to 03/05 to 08/10/11/22/35 to 40/63 to 65/67/84 to 86, 0 107 89/90/92/93/95/96/98, 0108 00 to 02/04/06

## 5. ACCESSORIES (continued)

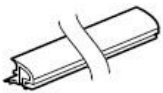
### 5.4 Change of capacity ref. 0 106 87/88/89



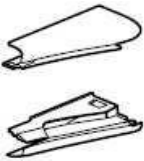
Allows to increase 15mm the height of a trunking to preserve the space of wiring with a flat junction or a support equipment. Accessory of change of capacity: still more flexibility. Respect of the index of protection. Improve aesthetics (covering of the cut) Assembly on the body of the trunking by clip

White color RAL 9003

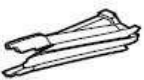
0 106 87: Raise, length 57cm.



0 106 88: Set of 4 accessories to change of capacity of the body



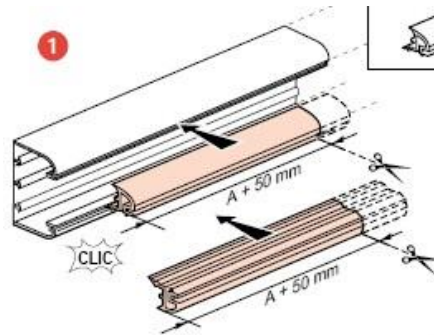
0 106 89: Set of 2 accessories of change height of partition (to be used only on trunking with multi-compartments)



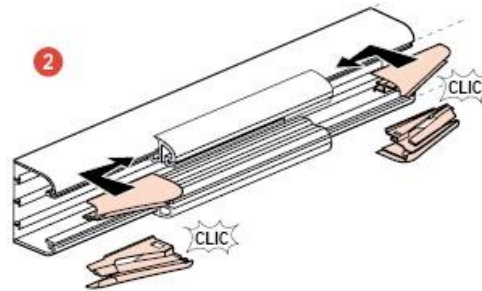
## 5. ACCESSORIES (continued)

### 5.4 Change of capacity ref. 0 106 87/88/89 (suite)

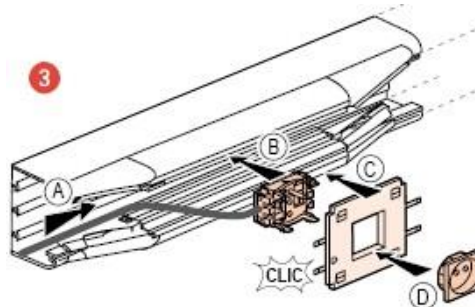
- fix the rise on the trunking



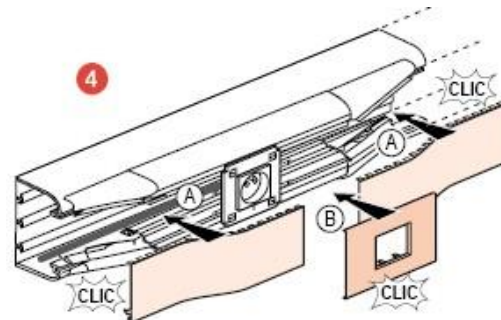
2- install at the end of raise the accessories of change of capacity



3- pose the support



4- clip the cover and the finishing plate on the support



# DLP PVC trunking & accessories

Number(s) : 0 104 01/02/11/12/21 to 24/27/28/32/33/52/53/59/60 to 65, 0 104 67/69/70/72/73/75/76, 0 105 20 to 22/24/26/82/83/84, 0 106 01 to 03/05 to 07/19/21/23/35/36/38/39/50/58/91/92/95/96, 0 107 00 to 03/05 to 08/10/11/22/35 to 40/63 to 65/67/84 to 86, 0 107 89/90/92/93/95/96/98, 0108 00 to 02/04/06

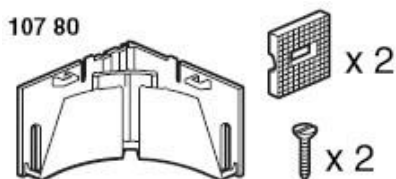
## 5. ACCESSORIES (continued)

5.5 For wiring VDI ref. 0 107 80/81/82/83

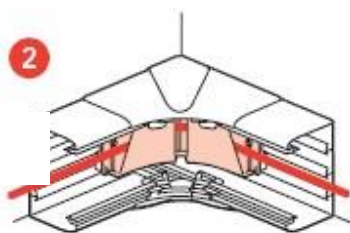
Come in complement from the element from standard advance. Fix themselves in any evolutionary chute (except for the 35x80 in which one cannot fix the accessory and in the compartments using a cover 40)

| References | Section mm <sup>2</sup> | Diameter maxi |
|------------|-------------------------|---------------|
| 0 107 80   | 580                     | 17            |
| 0 107 81   | 580                     | 17            |
| 0 107 82   | 1120                    | 3x17          |
| 0 107 83   | 490                     | 2x13.5        |

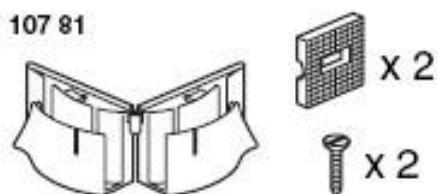
0 107 80: Accessory for internal angle



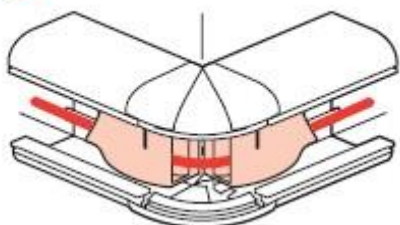
Delivered with supports for fixing on the bottom of the trunking (on the "T" ) and 2 screws



0 107 81: Accessory for external angle



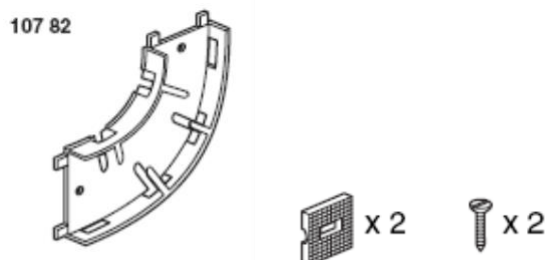
Delivered with supports for fixing on the bottom of the trunking (on the "T" ) and 2 screws



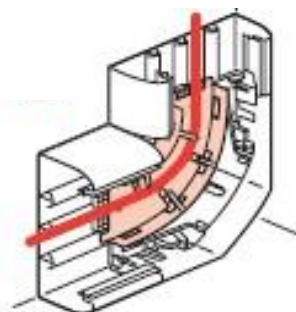
## 5. ACCESSORIES (continued)

5.5 For wiring VDI ref. 0 107 80/81/82/83 (continued)

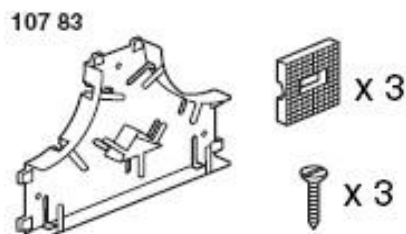
0 107 82: Accessory for flat angle



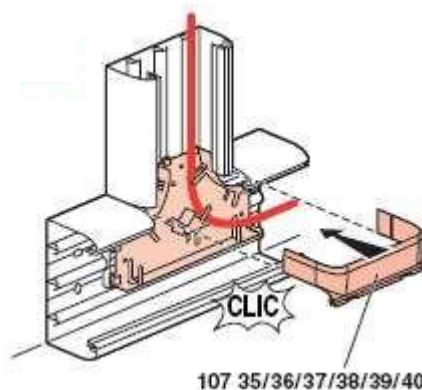
Delivered with supports for fixing on the bottom of the trunking (on the "T" ) and 2 screws



0 107 83: Accessory for flat junction



Delivered with supports for fixing on the bottom of the trunking (on the "T" ) and 3 screws



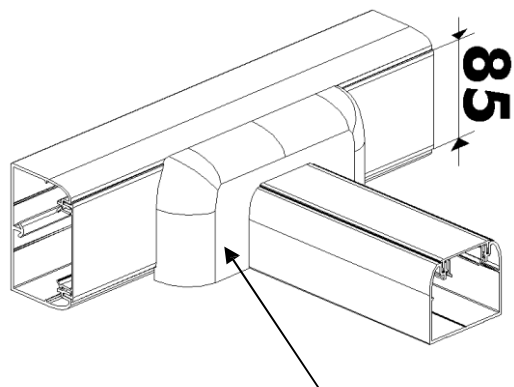


# DLP PVC trunking & accessories

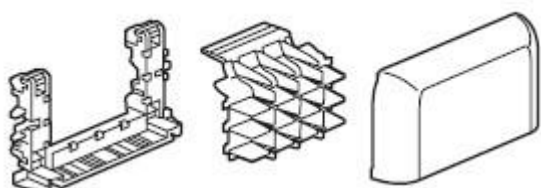
Number(s) : 0 104 01/02/11/12/21 to 24/27/28/32/33/52/53/59/60 to 65, 0 104 67/69/70/72/73/75/76, 0 105 20 to 22/24/26/82/83/84, 0 106 01 to 03/05 to 07/19/21/23/35/36/38/39/50/58/91/92/95/96, 0 107 00 to 03/05 to 08/10/11/22/35 to 40/63 to 65/67/84 to 86, 0 107 89/90/92/93/95/96/98, 0108 00 to 02/04/06

## 5. ACCESSORIES (continued)

5.6 Junction for change of plane réf : 0 107 70/71/72/73/74.



107 70/71/72/73/74



To tap-off from wall to ceiling for example to supply power to a luminaire.

Respect of the index of protection. Improve aesthetics (covering of the cut) Assembly on the body of the trunking by clips

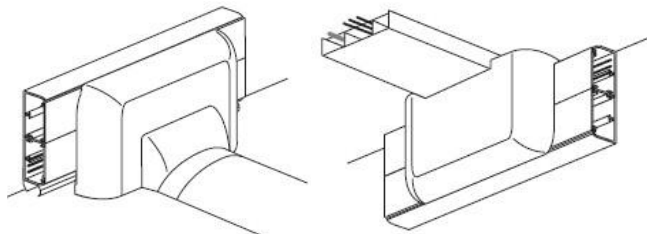
White color RAL 9003

Table of derivations for change of plane to be used with:

| References | To use for                  |
|------------|-----------------------------|
| 0 107 70   | Covers 40mm                 |
| 0 107 71   | Covers 65mm                 |
| 0 107 72   | Covers 85mm                 |
| 0 107 73   | Trunking ref. 0 104 24 only |
| 0 107 74   | Covers 130mm                |

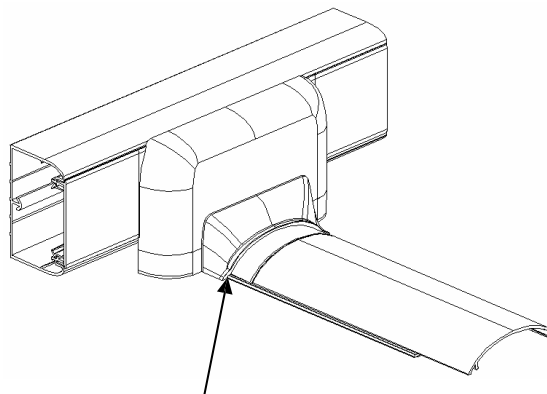
Assembly on the ground in derivation starting from a trunking DLP to a floor duct

Assembly with the ceiling in derivation starting from a trunking DLP to a mini-trunking

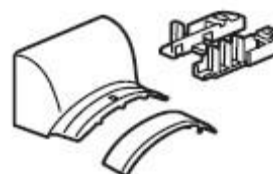


## 5. ACCESSORIES (continued)

5.7 Derivations for floor duct ref. 0 106 90.



106 90



Allows to tap-off on a floor duct ref. 0 328 00.

Respect of the index of protection.

Improve aesthetics (covering of the cut)

Assembly on the body of the trunking by clips

White color RAL 9003

Table of derivations for floor duct to be used with:  
(must join the ref. 0 106 90: DLP complement floor duct in white colour)

| References           | To use for   |
|----------------------|--------------|
| 0 107 70+0 106 90    | Covers 40mm  |
| 0 107 71/73+0 106 90 | Covers 65mm  |
| 0 107 72+0 106 90    | Covers 85mm  |
| 0 107 74+0 106 90    | Covers 130mm |

No derivation for floor duct for reference 0 104 24 (trunking 105x50 with cover 65mm)

# DLP PVC trunking & accessories

Number(s) : 0 104 01/02/11/12/21 to 24/27/28/32/33/52/53/59/60 to 65, 0 104 67/69/70/72/73/75/76, 0 105 20 to 22/24/26/82/83/84, 0 106 01 to 03/05 to 07/19/21/23/35/36/38/39/50/58/91/92/95/96, 0 107 00 to 03/05 to 08/10/11/22/35 to 40/63 to 65/67/84 to 86, 0 107 89/90/92/93/95/96/98, 0108 00 to 02/04/06

## 6. TECHNICAL CHARACTERISTICS (continued)

Classification for DLP PVC trunking standard EN 50085-2-1.

|   |  |
|---|--|
| 6.2 Resistance to impact for installation and application | 2.0J   |
| 6.3 Minimum storage and transport temperature             | - 25°C   |
| 6.3 Minimum installation and application temperature      | - 5°C  |
| 6.3 Maximum application temperature                       | + 60°C   |
| 6.4 Resistance to flame propagation                       | Non-flame propagating  |
| 6.5 Electrical continuity characteristic                  | Without electrical continuity characteristic   |
| 6.6 Electrical insulating characteristic                  | With electrical insulating characteristic  |
| 6.7 Degrees of protection provided by enclosure           | IP40   |
| 6.9 The system access cover retention                     | With a tool  |
| 6.101 The position when surface mounted                   | Wall fixed<br>Ceiling fixed<br>Wall fixed and supported by the floor or other horizontal surface |
| 6.102 The functions provided                              | Type 2 for distribution trunking<br>Type 3 for installation trunking                             |
| Rated current   | 500 V  |
| Protection against mechanical shocks                      | IK 07  |

| Composition and functions of fully assembled DLP trunking |                   |           |                          |                                  |                                  |                                    |                          |                      |                             |                             |                         |                             |                              |                                 |                                  |
|---|-------------------|-----------|--------------------------|----------------------------------|----------------------------------|------------------------------------|--------------------------|----------------------|-----------------------------|-----------------------------|-------------------------|-----------------------------|------------------------------|---------------------------------|----------------------------------|
| Number of compartments                                    | Trunking          |           | Trunking and accessories |                                  |                                  |                                    |                          | Angles               |                             |                             |                         | Flat junction <sup>®</sup>  |                              | Supports for wiring accessories | Cross-section (mm <sup>2</sup> ) |
|   | Covers width (mm) | Dim. (mm) | Bodies                   | Covers                           | Division partitions <sup>®</sup> | Separation partitions <sup>®</sup> | Base joints <sup>®</sup> | End cap <sup>®</sup> | Internal angle <sup>®</sup> | External angle <sup>®</sup> | Flat angle <sup>®</sup> | To width 80 mm <sup>®</sup> | To width 105 mm <sup>®</sup> |                                 |                                  |
| 1   | 65                | 90 x 80   |                          | 104 62 (body and cover complete) | 105 82                           | -                                  | 106 92 or 106 91         | 107 22               | 106 62                      | 106 22                      | 107 67                  | 107 35                      | -                            | (3)                             | 3340                             |
|   | 65                | 90 x 105  |                          | 104 24 (body and cover complete) | 105 82                           | -                                  | 106 96                   | 107 00               | 106 05                      | 106 19                      | 107 86                  | 107 39                      | 107 40                       | (3)                             | 4380                             |
| 2   | 65 65             | 90 x 150  |                          | 104 27 (body and cover complete) | 105 82                           | -                                  | 106 92 or 106 91         | 107 03               | 106 06                      | 106 35                      | 107 89                  | 107 35                      | 107 36<br>107 37             | (3)                             | 3060/3060                        |
| 3   | 46 65 40          | 90 x 170  |                          | 104 67 (body and cover complete) | 105 82                           | -                                  | 106 92 or 106 91         | 107 10               | 106 50                      | 106 38                      | 107 98                  | 107 35                      | 107 36<br>107 37             | (3)                             | 2 x 2050/2770                    |
| Composition and functions of adaptable DLP trunking       |                   |           |                          |                                  |                                  |                                    |                          |                      |                             |                             |                         |                             |                              |                                 |                                  |
| 1   | 65                | 35 X 80   | 104 11                   | 105 21                           | -                                | 105 84                             | 106 92 or 106 91         | 107 22               | 106 01                      | 106 21                      | 107 67                  | 107 35                      | -                            | (3)                             | 2240                             |
|   | 85                | 35 X 105  | 104 21                   | 105 22                           | -                                | 105 82                             | 106 92 or 106 91         | 107 01               | 106 01                      | 106 21                      | 107 84                  | 107 35                      | 107 36                       | (4)                             | 2850                             |
|   | 65                | 50 X 80   | 104 12                   | 105 21                           | -                                | 105 82                             | 106 92 or 106 91         | 107 22               | 106 02                      | 106 22                      | 107 67                  | 107 35                      | -                            | (3)                             | 3340                             |
|   | 85                | 50 X 105  | 104 22                   | 105 22                           | -                                | 105 82                             | 106 92 or 106 91         | 107 02               | 106 02                      | 106 22                      | 107 85                  | 107 35                      | 107 36<br>107 37             | (4)                             | 4300                             |
|   | 85                | 65 X 105  | 104 23                   | 105 22                           | -                                | 105 83                             | 106 92 or 106 91         | 107 04               | 106 03                      | 106 23                      | 107 87                  | 107 33                      | 107 38                       | (4)                             | 5740                             |
|   | 130               | 90 X 150  | 104 32                   | 105 24                           | -                                | 105 82                             | 106 92 or 106 91         | 107 03               | 106 02                      | 106 22                      | 107 89                  | 107 35                      | 107 36<br>107 37             | Distribution                    | 6440                             |
|   | 130               | 65 X 150  | 104 33                   | 105 24                           | -                                | 105 83                             | 106 92 or 106 91         | 107 06               | 106 03                      | 106 23                      | 107 90                  | 107 33                      |                              | Distribution                    | 8200                             |
|   | 180               | 50 X 195  | 104 62                   | 105 26                           | -                                | 105 82                             | 106 92 or 106 91         | 107 07               | 106 02                      | 106 22                      | 107 92                  | 107 35                      | 107 36<br>+<br>107 37        | Distribution                    | 9480                             |
| 2   | 180               | 65 X 195  | 104 63                   | 105 26                           | -                                | 105 83                             | 106 92 or 106 91         | 107 07               | 106 03                      | 106 23                      | 107 93                  | 107 33                      | 107 38                       | Distribution                    | 11240                            |
|   | 65 65             | 65 X 150  | 104 33                   | 2 x 105 21                       | 104 73                           | 105 83                             | 106 92 or 106 91         | 107 06               | 106 07                      | 106 36                      | 107 90                  | 107 33                      | 107 38                       | (3)                             | 3960/3960                        |
|   | 85 85             | 90 X 195  | 104 62                   | 2 x 105 22                       | 104 72                           | 105 82                             | 106 92 or 106 91         | 107 07               | 106 06                      | 106 35                      | 107 92                  | 107 35                      | 107 36<br>+<br>107 37        | (4)                             | 3940/3940                        |
|   | 85 85             | 65 X 195  | 104 63                   | 2 x 105 22                       | 104 73                           | 105 83                             | 106 92 or 106 91         | 107 07               | 106 07                      | 106 36                      | 107 93                  | 107 33                      | 107 38                       | (4)                             | 5310/5310                        |
|   | 65 130            | 65 X 220  | 104 69                   | 105 24<br>+<br>105 21            | 104 73                           | 105 83                             | 106 92 or 106 91         | 107 08               | 106 07                      | 106 36                      | 107 96                  | 107 33                      | 107 38                       | (3)                             | 3960/8010                        |

## 6. TECHNICAL CHARACTERISTICS (continued)

Thickness about boby DLP PVC :

|              |                            |
|--------------|----------------------------|
| Cp60x35      | bottom 1.6mm / sides 1.6mm |
| Cp60x50      | bottom 1.9mm / sides 1.9mm |
| Cp80x35      | bottom 1.6mm / sides 1.6mm |
| Cp80x50      | bottom 1.9mm / sides 1.9mm |
| Cp105x35     | bottom 1.6mm / sides 1.6mm |
| Cp80x65      | bottom 2.4mm / sides 2.4mm |
| Cp105x50cv65 | bottom 1.9mm / sides 1.9mm |
| Cp105x50cv85 | bottom 1.9mm / sides 1.9mm |
| Cp105x65     | bottom 2.4mm / sides 2.4mm |
| Cp150x50     | bottom 1.9mm / sides 1.9mm |
| Cp170x50     | bottom 1.9mm / sides 1.9mm |
| Cp150x65     | bottom 2.6mm / sides 2.6mm |
| Cp195x50     | bottom 1.9mm / sides 1.9mm |
| Cp195x65     | bottom 2.6mm / sides 2.6mm |
| Cp220x50     | bottom 1.9mm / sides 1.9mm |
| Cp220x65     | bottom 2.6mm / sides 2.6mm |

## 7. MATERIAL CHARACTERISTICS.

The trunkings, covers and partitions are in PVC white RAL 9003.

Plastic accessories:

The accessories are in plastic ABS or PVC white RAL 9003