

## Switch disconnectors LAS

### Generalities

The modular switch disconnectors of LAS series allow the breaking and the disconnecting on load of equipment on low voltage at nominal current from 16 A to 125A.

### Use

The switch disconnectors of LAS series are commonly used for the following purposes:

- main switch
- switch for motors
- safety switch
- disconnector

### General characteristics

- high breaking capacity (AC 22 A - AC 23 A)
- double break contacts
- high electrical and mechanical endurance
- resistant to damp heat
- IP20 degree of protection
- modular execution, basic mounting on 35 mm DIN rail and by screws, modular window 45mm

### Additional poles

Fourth switched pole, solid neutral and earth pole.

### Operating mechanism

Black (standard execution) or emergency direct handle padlockable in 0 position.

Handle with and without door interlock handle, black or emergency handle padlock with up to three padlocks in 0 position.

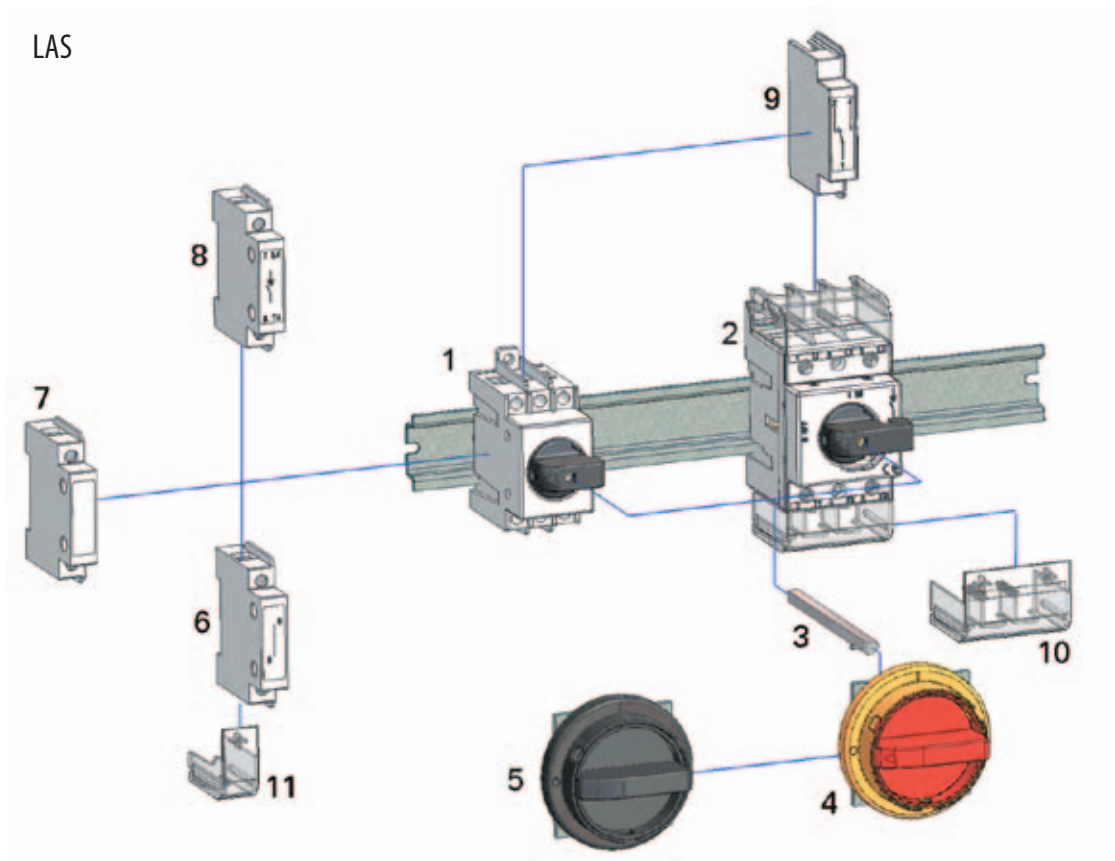
IP 65 degree of protection on door interlock handle.

Technical data for switch disconnectors LAS

Type			LAS 16	LAS 25	LAS 32	LAS 40	LAS 63	LAS 80	LAS 100	LAS 125
			16A	25A	32A	40A	63A	80A	100A	125A
Rated insulation voltage	Ui	(V)	800	800	800	800	800	800	800	800
Impulse withstand voltage	Uimp	(kV)	8	8	8	8	8	8	8	8
Rated thermal current at 40°C	Ith	(A)	16	25	32	40	63	80	100	125
Rated current										
AC-21A	415V	(A)	16	25	32	40	63	80	100	125
	500V	(A)	16	25	32	40	63	80	100	125
	690V	(A)	16	25	32	40	63	80	100	125
AC-22A	415V	(A)	16	25	32	40	63	80	100	125
	500V	(A)	16	25	32	40	63	80	100	100
	690V	(A)	16	25	32	40	40	40	40	40
AC-23A	415V	(A)	16	25	32	40	40	80	100	100
	500V	(A)	16	25	32	40	40	63	63	63
	690V	(A)	16	25	25	25	25	32	32	32
Rated breaking capacity at 415V AC23		(A)	160	250	320	400	400	800	1000	1000
Rated making capacity at 415V AC23		(A)	128	200	256	320	320	640	800	800
Rated operational power AC23	415V	(kW)	7,5	11	14	15	15	37	46	46
	500V	(kW)	7,5	11	14	15	18,5	35	35	35
	690V	(kW)	7,5	11	14	15	18,5	24	24	24
Short-circuit with stand current 1 sec (400V)		(kA)	1,1	1,1	1,1	1,1	1,1	1,5	1,5	1,5
Back up fuse		(A)	16	25	32	40	63	80	100	125
Short - circuit current (I max)		(kA)	3,8	4,5	5	5,7	5,7	9,9	9,9	9,9
Mechanical endurance	cycles		50000	50000	50000	50000	50000	30000	30000	30000
Electrical endurance	cycles		3000	3000	3000	3000	3000	1500	1500	1000
Power loss per pole		(W)	0,1	0,1	0,2	0,3	0,8	1,3	2,0	3,1
Cable section		mm <sup>2</sup>	16	16	16	16	16-25	16-50	25-50	35-50
Auxiliary contacts AC 15/415V		A	3	3	3	3	3	3	3	3
Weight	3P	kg	0,13	0,13	0,13	0,13	0,13	0,25	0,25	0,25
	4P	kg	0,16	0,16	0,16	0,16	0,16	0,32	0,32	0,32

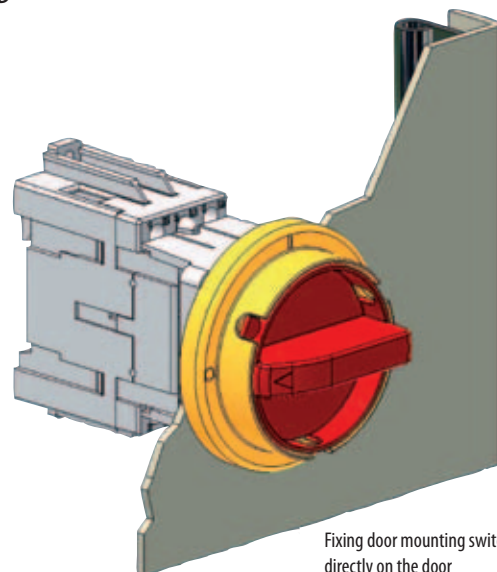
Note: technical data for door mounting switch disconnectors LAS\_D are the same, as for LAS16-63

LAS



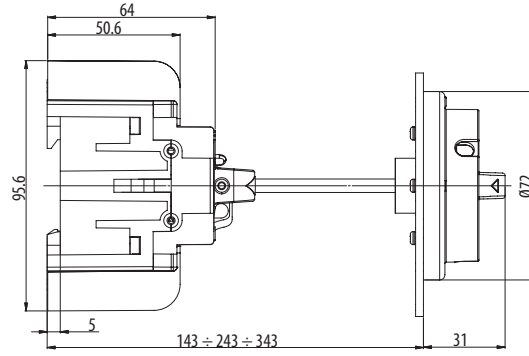
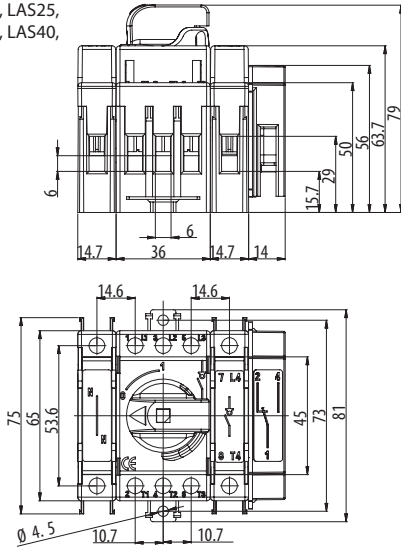
- 1. emergency switch disconnecter – direct handle
- 2. emergency switch disconnecter – direct handle
- 3. shaft
- 4. emergency door interlock handle (red and yellow)
- 5. door interlock handle (black)
- 6. solid neutral
- 7. earth pole
- 8. 4th pole block
- 9. auxiliary contacts
- 10. terminal cover
- 11. terminal cover for 4th pole

LAS\_D

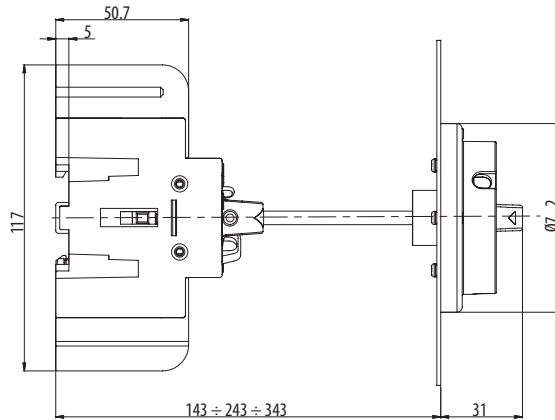
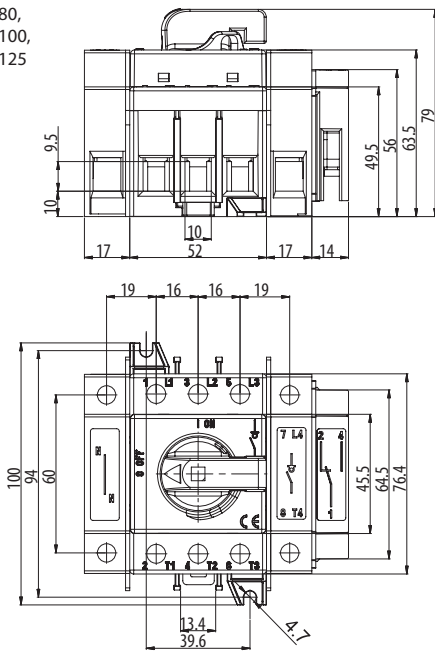


Fixing door mounting switch disconnecter directly on the door

LAS16, LAS25,  
LAS32, LAS40,  
LAS63



LAS80,  
LAS100,  
LAS125



Door mounting switch disconnecter LAS\_D

