

PK Fuse Bases with Ceramic Insulation

Features and Advantages

PK fuse bases with ceramic insulation for NH fuses are suitable for surface mounting on mounting plates and can be used in combination with NH fuse-links according to DIN VDE 0636-2/IEC 60269-2 as well as solid links.

They offer a compact and simple solution for application of fuses as protective elements in low voltage distribution boards and are characterized by silver plated contacts, in-house developed technical ceramic materials with high thermal resistance and a broad range of connections.

PK fuse bases are available in sizes 00 to 3, in 1-pole and 3-pole version. The range comes with accessories including protection barriers, IP20 finger safe protection kits and neutral links, which, along with the possibility of attaching additional poles, provides an optimal solution for every application.

Rated for fuse-links with breaking capacity up to 200 kA.

Ratings:
Rated voltage: 690 V a.c.
Rated currents: 160 A - 630 A

Standards:
IEC 60269-2
DIN VDE 0636-2
DIN 43620

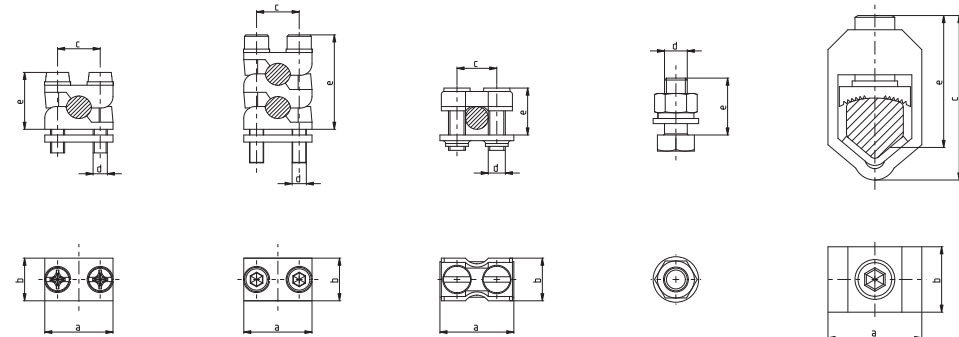
As one of the leading producers of technical ceramics for fuse applications we have developed a range of extremely reliable thermosetting materials with high thermal resistance, dimensional stability and superior resistance to tracking.

Sturdy and compact IP 20 protection kits.

Galvanically silver plated contacts, providing ideal contact characteristics.

We offer one- and two-cable terminals with a broad range of available connections:

- flat terminals
- clip terminals
- prism clamps
- V shaped clamps



*Terminal covers and fuse covers sold separately

1-pole fuse base size 00

| Type | I _n [A] | Code No. | Weight [g] | Packaging [pcs] |
|----------------------|--------------------|-----------|------------|-----------------|
| PK 00 M8-M8 1p S | 160 | 004123000 | 173 | 3 |
| PK 00 2M6-2M6 1p S | 160 | 004123001 | 173 | 3 |
| PK 00 M8-2M6 1p S | 160 | 004123002 | 173 | 3 |
| PK 00 M8-P00 1p S | 160 | 004123003 | 190 | 3 |
| PK 00 M8-2P00 1p S | 160 | 004123004 | 205 | 3 |
| PK 00 P00-P00 1p S | 160 | 004123005 | 205 | 3 |
| PK 00 P00-2P00 1p S | 160 | 004123006 | 219 | 3 |
| PK 00 2P00-2P00 1p S | 160 | 004123007 | 233 | 3 |

| | | | | |
|-----------------------|-----|-----------|-----|---|
| PKI 00 M8-M8 1p S | 160 | 004123011 | 213 | 3 |
| PKI 00 2M6-2M6 1p S | 160 | 004123012 | 213 | 3 |
| PKI 00 M8-2M6 1p S | 160 | 004123013 | 213 | 3 |
| PKI 00 M8-P00 1p S | 160 | 004123014 | 230 | 3 |
| PKI 00 M8-2P00 1p S | 160 | 004123015 | 245 | 3 |
| PKI 00 P00-P00 1p S | 160 | 004123016 | 245 | 3 |
| PKI 00 P00-2P00 1p S | 160 | 004123017 | 259 | 3 |
| PKI 00 2P00-2P00 1p S | 160 | 004123018 | 273 | 3 |

| | | | | |
|------------------------|-----|-----------|-----|---|
| PKIP 00 M8-M8 1p S | 160 | 004123021 | 223 | 3 |
| PKIP 00 2M6-2M6 1p S | 160 | 004123022 | 223 | 3 |
| PKIP 00 M8-2M6 1p S | 160 | 004123023 | 223 | 3 |
| PKIP 00 M8-P00 1p S | 160 | 004123024 | 240 | 3 |
| PKIP 00 M8-2P00 1p S | 160 | 004123025 | 255 | 3 |
| PKIP 00 P00-P00 1p S | 160 | 004123026 | 255 | 3 |
| PKIP 00 P00-2P00 1p S | 160 | 004123027 | 269 | 3 |
| PKIP 00 2P00-2P00 1p S | 160 | 004123028 | 283 | 3 |

PK basic version
PKI fuse base with terminal covers
PKIP fuse base with terminal covers and fuse cover

1-pole fuse base size 1, 2, 3

| Type | I _n [A] | Code No. | Weight [g] | Packaging [pcs] |
|-------------------|--------------------|-----------|------------|-----------------|
| PK 1 M10-M10 1p S | 250 | 004123100 | 603 | 3 |
| PK 1 M10-S12 1p S | 250 | 004123101 | 595 | 3 |
| PK 1 S12-S12 1p S | 250 | 004123102 | 587 | 3 |
| PK 1 M10-P1 1p S | 250 | 004123103 | 665 | 3 |
| PK 1 M10-2P1 1p S | 250 | 004123104 | 715 | 3 |
| PK 1 P1-P1 1p S | 250 | 004123105 | 727 | 3 |
| PK 1 P1-2P1 1p S | 250 | 004123106 | 777 | 3 |
| PK 1 2P1-2P1 1p S | 250 | 004123107 | 827 | 3 |

| | | | | |
|-------------------|-----|-----------|------|---|
| PK 2 M10-M10 1p S | 400 | 004123200 | 840 | 3 |
| PK 2 M10-S12 1p S | 400 | 004123201 | 833 | 3 |
| PK 2 S12-S12 1p S | 400 | 004123202 | 825 | 3 |
| PK 2 M10-P2 1p S | 400 | 004123203 | 963 | 3 |
| PK 2 M10-2P2 1p S | 400 | 004123204 | 1029 | 3 |
| PK 2 P2-P2 1p S | 400 | 004123205 | 1085 | 3 |
| PK 2 P2-2P2 1p S | 400 | 004123206 | 1151 | 3 |
| PK 2 2P2-2P2 1p S | 400 | 004123207 | 1217 | 3 |

| | | | | |
|-------------------|-----|-----------|------|---|
| PK 3 M12-M12 1p S | 630 | 004123300 | 1106 | 3 |
| PK 3 M12-P3 1p S | 630 | 004123301 | 1265 | 3 |
| PK 3 M12-2P3 1p S | 630 | 004123302 | 1360 | 3 |
| PK 3 P3-P3 1p S | 630 | 004123303 | 1424 | 3 |
| PK 3 P3-2P3 1p S | 630 | 004123304 | 1519 | 3 |
| PK 3 2P3-2P3 1p S | 630 | 004123305 | 1614 | 3 |

3-pole fuse base size 00

| Type | I _n [A] | Code No. | Weight [g] | Packaging [pcs] |
|----------------------|--------------------|-----------|------------|-----------------|
| PK 00 M8-M8 3p S | 160 | 004132100 | 558 | 1 |
| PK 00 2M6-2M6 3p S | 160 | 004132101 | 563 | 1 |
| PK 00 M8-2M6 3p S | 160 | 004132102 | 560 | 1 |
| PK 00 M8-P00 3p S | 160 | 004132103 | 608 | 1 |
| PK 00 M8-2P00 3p S | 160 | 004132104 | 651 | 1 |
| PK 00 P00-P00 3p S | 160 | 004132105 | 658 | 1 |
| PK 00 P00-2P00 3p S | 160 | 004132106 | 700 | 1 |
| PK 00 2P00-2P00 3p S | 160 | 004132107 | 743 | 1 |

| | | | | |
|-----------------------|-----|-----------|-----|---|
| PKI 00 M8-M8 3p S | 160 | 004132111 | 675 | 1 |
| PKI 00 2M6-2M6 3p S | 160 | 004132112 | 680 | 1 |
| PKI 00 M8-2M6 3p S | 160 | 004132113 | 677 | 1 |
| PKI 00 M8-P00 3p S | 160 | 004132114 | 725 | 1 |
| PKI 00 M8-2P00 3p S | 160 | 004132115 | 768 | 1 |
| PKI 00 P00-P00 3p S | 160 | 004132116 | 775 | 1 |
| PKI 00 P00-2P00 3p S | 160 | 004132117 | 817 | 1 |
| PKI 00 2P00-2P00 3p S | 160 | 004132118 | 860 | 1 |

| | | | | |
|------------------------|-----|-----------|-----|---|
| PKIP 00 M8-M8 3p S | 160 | 004132121 | 704 | 1 |
| PKIP 00 2M6-2M6 3p S | 160 | 004132122 | 709 | 1 |
| PKIP 00 M8-2M6 3p S | 160 | 004132123 | 706 | 1 |
| PKIP 00 M8-P00 3p S | 160 | 004132124 | 754 | 1 |
| PKIP 00 M8-2P00 3p S | 160 | 004132125 | 797 | 1 |
| PKIP 00 P00-P00 3p S | 160 | 004132126 | 804 | 1 |
| PKIP 00 P00-2P00 3p S | 160 | 004132127 | 846 | 1 |
| PKIP 00 2P00-2P00 3p S | 160 | 004132128 | 889 | 1 |

PK basic version with protective barriers
PKI fuse base with terminal covers
PKIP fuse base with terminal covers and fuse cover

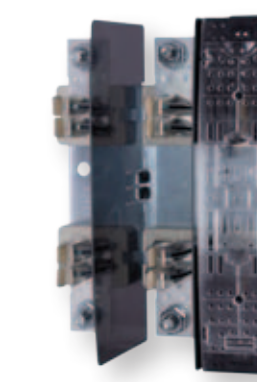
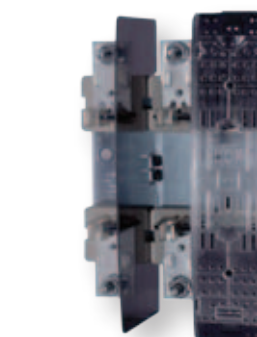
3-pole fuse base size 1, 2, 3

| Type | I _n [A] | Code No. | Weight [g] | Packaging [pcs] |
|-------------------|--------------------|-----------|------------|-----------------|
| PK 1 M10-M10 3p S | 250 | 004132200 | 1809 | 1 |
| PK 1 M10-S12 3p S | 250 | 004132201 | 1785 | 1 |
| PK 1 S12-S12 3p S | 250 | 004132202 | 1761 | 1 |
| PK 1 M10-P1 3p S | 250 | 004132203 | 1995 | 1 |
| PK 1 M10-2P1 3p S | 250 | 004132204 | 2145 | 1 |
| PK 1 P1-P1 3p S | 250 | 004132205 | 2181 | 1 |
| PK 1 P1-2P1 3p S | 250 | 004132206 | 2331 | 1 |
| PK 1 2P1-2P1 3p S | 250 | 004132207 | 2481 | 1 |

| | | | | |
|-------------------|-----|-----------|------|---|
| PK 2 M10-M10 3p S | 400 | 004132300 | 2520 | 1 |
| PK 2 M10-S12 3p S | 400 | 004132301 | 2499 | 1 |
| PK 2 S12-S12 3p S | 400 | 004132302 | 2475 | 1 |
| PK 2 M10-P2 3p S | 400 | 004132303 | 2889 | 1 |
| PK 2 M10-2P2 3p S | 400 | 004132304 | 3087 | 1 |
| PK 2 P2-P2 3p S | 400 | 004132305 | 3255 | 1 |
| PK 2 P2-2P2 3p S | 400 | 004132306 | 3453 | 1 |
| PK 2 2P2-2P2 3p S | 400 | 004132307 | 3651 | 1 |

| | | | | |
|-------------------|-----|-----------|------|---|
| PK 3 M12-M12 3p S | 630 | 004132400 | 3318 | 1 |
| PK 3 M12-P3 3p S | 630 | 004132401 | 3795 | 1 |
| PK 3 M12-2P3 3p S | 630 | 004132402 | 4080 | 1 |
| PK 3 P3-P3 3p S | 630 | 004132403 | 4272 | 1 |
| PK 3 P3-2P3 3p S | 630 | 004132404 | 4557 | 1 |
| PK 3 2P3-2P3 3p S | 630 | 004132405 | 4824 | 1 |

PK basic version with protective barriers



*Terminal covers and fuse covers sold separately

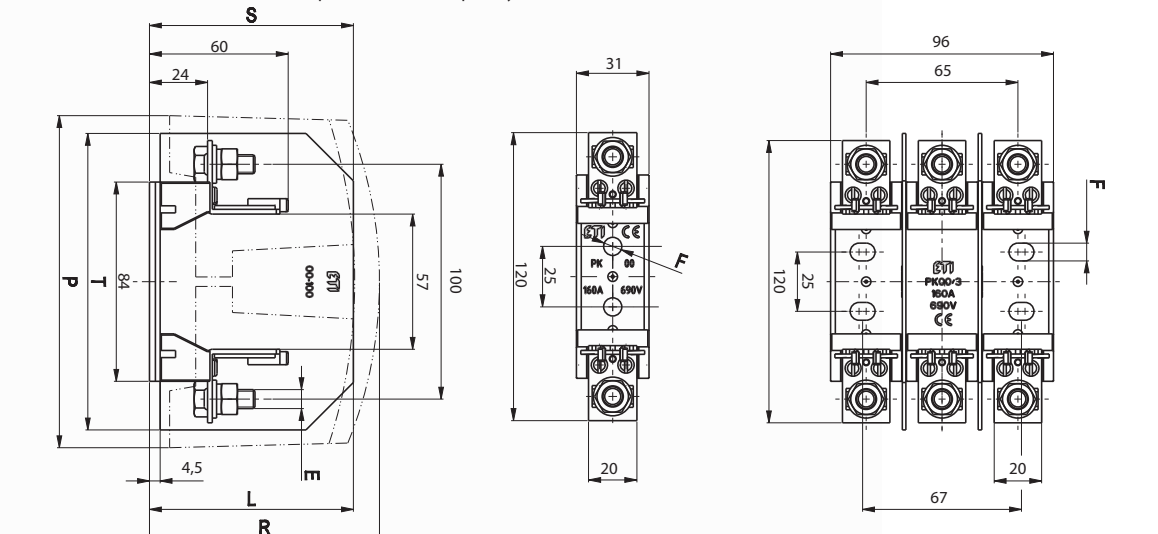
Technical data

| Technical data | | 00 | 1 | 2 | 3 | |
|---|------------------|--------|--|-----|-----|-----|
| Electrical characteristics | | | | | | |
| Rated voltage | U _n | V a.c. | 690 | | | |
| Rated current | I _n | A | 160 | 250 | 400 | 630 |
| Conv. free air thermal current with fuse links | I _{th} | A | 160 | 250 | 400 | 630 |
| Conv. free air thermal current with solid links | I _{th} | A | 200 | 320 | 500 | 800 |
| Rated frequency | | Hz | 40-60 | | | |
| Max. perm. power dissipation per fuse link | P _n | W | 12 | 32 | 45 | 60 |
| Max. breaking capacity per fuse link | I _{bn} | kA | 200 | | | |
| Derating temperature factors for max. current | ≤ 35 | °C | 1 | | | |
| | 40 | °C | 0,95 | | | |
| | 50 | °C | 0,85 | | | |
| Mechanical characteristics | | | | | | |
| Ambient temperature range | T _{amb} | °C | -25...+55 | | | |
| Rated operating mode | | | uninterrupted | | | |
| Mounting position | | | vertical, horizontal | | | |
| Pollution degree | | | 3 | | | |
| Overvoltage category | | | III | | | |
| Degree of protection | | | IP00 without covers; IP20 with covers fitted | | | |
| Standards | | | IEC 60269-2, DIN VDE 0636, DIN 43620 | | | |

Dimensions for size 00

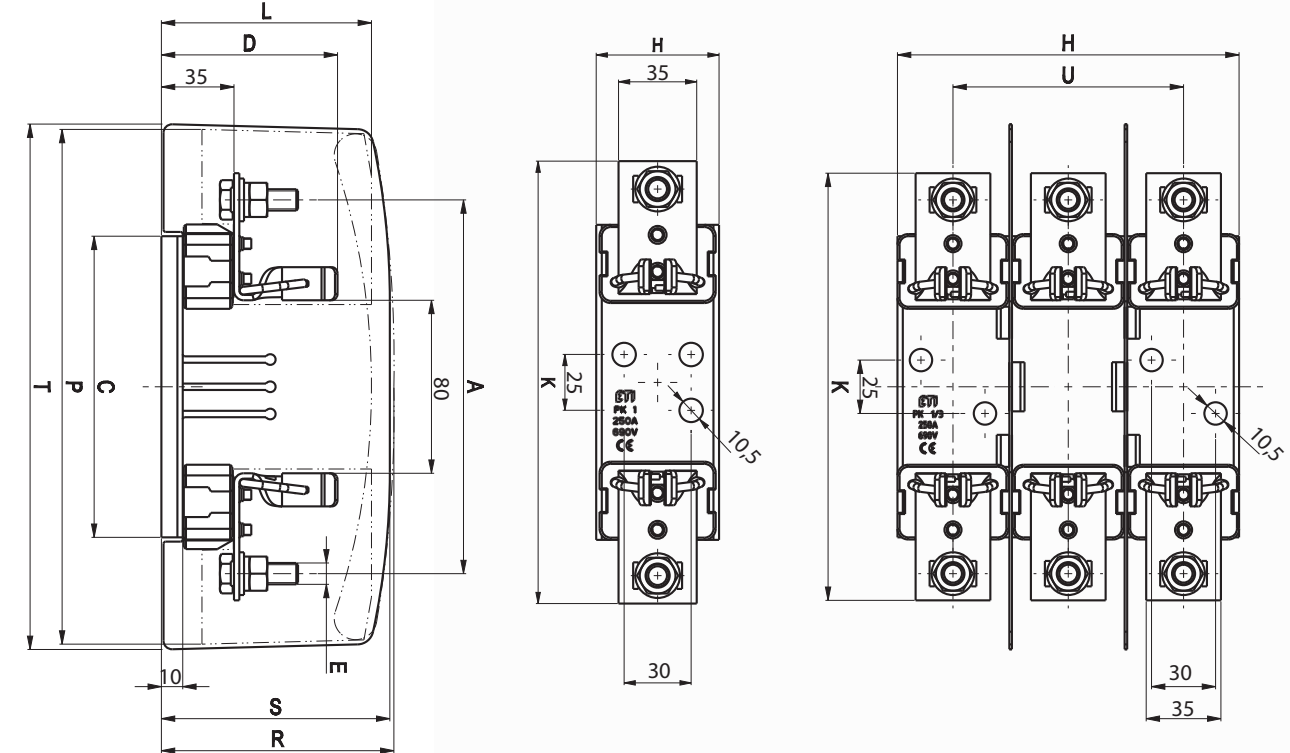
| 1-pole | 3-pole | E | F | L | P | R | S* | T* |
|------------------------|------------------------|-----------|-------|----|-----|----|----|----|
| PK 00 M8-M8 1p S | PK 00 M8-M8 3p S | M8-M8 | Ø 7,5 | \ | \ | \ | \ | 88 |
| PK 00 2M6-2M6 1p S | PK 00 2M6-2M6 3p S | 2M6-2M6 | Ø 7,5 | \ | \ | \ | \ | 88 |
| PK 00 M8-2M6 1p S | PK 00 M8-2M6 3p S | M8-2M6 | Ø 7,5 | \ | \ | \ | \ | 88 |
| PK 00 M8-P00 1p S | PK 00 M8-P00 3p S | M8-P00 | Ø 7,5 | \ | \ | \ | \ | 88 |
| PK 00 M8-2P00 1p S | PK 00 M8-2P00 3p S | M8-2P00 | Ø 7,5 | \ | \ | \ | \ | 88 |
| PK 00 P00-P00 1p S | PK 00 P00-P00 3p S | P00-P00 | Ø 7,5 | \ | \ | \ | \ | 88 |
| PK 00 P00-2P00 1p S | PK 00 P00-2P00 3p S | P00-2P00 | Ø 7,5 | \ | \ | \ | \ | 88 |
| PK 00 2P00-2P00 1p S | PK 00 2P00-2P00 3p S | 2P00-2P00 | Ø 7,5 | \ | \ | \ | \ | 88 |
| PKI 00 M8-M8 1p S | PKI 00 M8-M8 3p S | M8-M8 | Ø 7,5 | 87 | 140 | \ | \ | \ |
| PKI 00 2M6-2M6 1p S | PKI 00 2M6-2M6 3p S | 2M6-2M6 | Ø 7,5 | 87 | 140 | \ | \ | \ |
| PKI 00 M8-2M6 1p S | PKI 00 M8-2M6 3p S | M8-2M6 | Ø 7,5 | 87 | 140 | \ | \ | \ |
| PKI 00 M8-P00 1p S | PKI 00 M8-P00 3p S | M8-P00 | Ø 7,5 | 87 | 140 | \ | \ | \ |
| PKI 00 M8-2P00 1p S | PKI 00 M8-2P00 3p S | M8-2P00 | Ø 7,5 | 87 | 140 | \ | \ | \ |
| PKI 00 P00-P00 1p S | PKI 00 P00-P00 3p S | P00-P00 | Ø 7,5 | 87 | 140 | \ | \ | \ |
| PKI 00 P00-2P00 1p S | PKI 00 P00-2P00 3p S | P00-2P00 | Ø 7,5 | 87 | 140 | \ | \ | \ |
| PKI 00 2P00-2P00 1p S | PKI 00 2P00-2P00 3p S | 2P00-2P00 | Ø 7,5 | 87 | 140 | \ | \ | \ |
| PKIP 00 M8-M8 1p S | PKIP 00 M8-M8 3p S | M8-M8 | Ø 7,5 | 87 | 140 | 95 | \ | \ |
| PKIP 00 2M6-2M6 1p S | PKIP 00 2M6-2M6 3p S | 2M6-2M6 | Ø 7,5 | 87 | 140 | 95 | \ | \ |
| PKIP 00 M8-2M6 1p S | PKIP 00 M8-2M6 3p S | M8-2M6 | Ø 7,5 | 87 | 140 | 95 | \ | \ |
| PKIP 00 M8-P00 1p S | PKIP 00 M8-P00 3p S | M8-P00 | Ø 7,5 | 87 | 140 | 95 | \ | \ |
| PKIP 00 M8-2P00 1p S | PKIP 00 M8-2P00 3p S | M8-2P00 | Ø 7,5 | 87 | 140 | 95 | \ | \ |
| PKIP 00 P00-P00 1p S | PKIP 00 P00-P00 3p S | P00-P00 | Ø 7,5 | 87 | 140 | 95 | \ | \ |
| PKIP 00 P00-2P00 1p S | PKIP 00 P00-2P00 3p S | P00-2P00 | Ø 7,5 | 87 | 140 | 95 | \ | \ |
| PKIP 00 2P00-2P00 1p S | PKIP 00 2P00-2P00 3p S | 2P00-2P00 | Ø 7,5 | 87 | 140 | 95 | \ | \ |

*Protective barriers; included with PK 00 3p fuse bases or sold separately



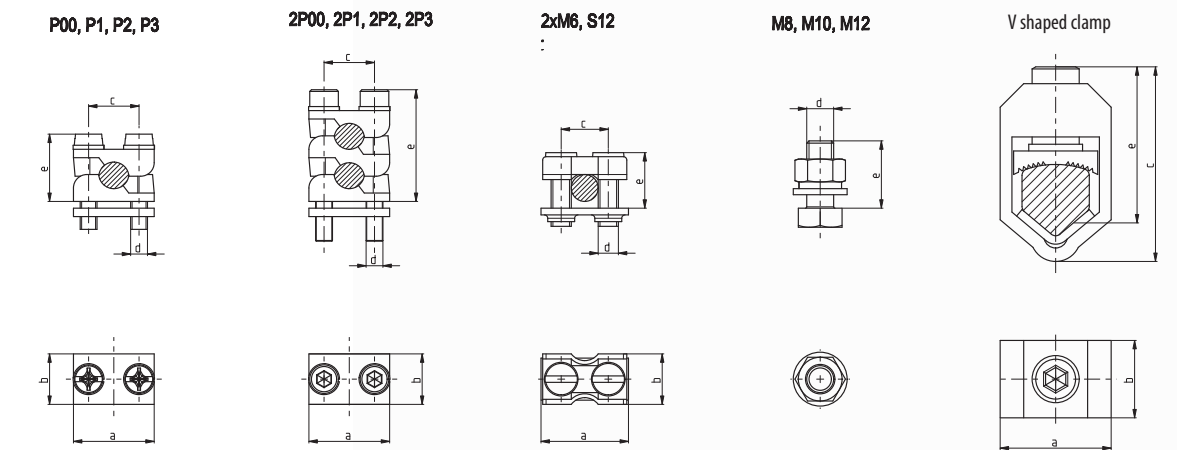
| Dimensions for sizes 1, 2, 3 | | | | | | | | | | | | | | |
|------------------------------|-------------------|-----|-----|----|---------|------|------|-----|-----|-----|-----|-----|-----|-----|
| 1-pole | 3-pole | A | C | D | E | H-1p | H-3p | K | L** | P** | R** | S* | T* | U |
| PK 1 M10-M10 1p S | PK 1 M10-M10 3p S | 175 | 141 | 82 | M10-M10 | 55,5 | 160 | 200 | 108 | 245 | 113 | 108 | 245 | 106 |
| PK 1 M10-S12 1p S | PK 1 M10-S12 3p S | 175 | 141 | 82 | M10-S12 | 55,5 | 160 | 200 | 108 | 245 | 113 | 108 | 245 | 106 |
| PK 1 S12-S12 1p S | PK 1 S12-S12 3p S | 175 | 141 | 82 | S12-S12 | 55,5 | 160 | 200 | 108 | 245 | 113 | 108 | 245 | 106 |
| PK 1 M10-P1 1p S | PK 1 M10-P1 3p S | 175 | 141 | 82 | M10-P1 | 55,5 | 160 | 200 | 108 | 245 | 113 | 108 | 245 | 106 |
| PK 1 M10-2P1 1p S | PK 1 M10-2P1 3p S | 175 | 141 | 82 | M10-2P1 | 55,5 | 160 | 200 | 108 | 245 | 113 | 108 | 245 | 106 |
| PK 1 P1-P1 1p S | PK 1 P1-P1 3p S | 175 | 141 | 82 | P1-P1 | 55,5 | 160 | 200 | 108 | 245 | 113 | 108 | 245 | 106 |
| PK 1 P1-2P1 1p S | PK 1 P1-2P1 3p S | 175 | 141 | 82 | P1-2P1 | 55,5 | 160 | 200 | 108 | 245 | 113 | 108 | 245 | 106 |
| PK 1 2P1-2P1 1p S | PK 1 2P1-2P1 3p S | 175 | 141 | 82 | 2P1-2P1 | 55,5 | 160 | 200 | 108 | 245 | 113 | 108 | 245 | 106 |
| PK 2 M10-M10 1p S | PK 2 M10-M10 3p S | 200 | 166 | 87 | M10-M10 | 65 | 185 | 225 | 115 | 266 | 125 | 117 | 266 | 125 |
| PK 2 M10-S12 1p S | PK 2 M10-S12 3p S | 200 | 166 | 87 | M10-S12 | 65 | 185 | 225 | 115 | 266 | 125 | 117 | 266 | 125 |
| PK 2 S12-S12 1p S | PK 2 S12-S12 3p S | 200 | 166 | 87 | S12-S12 | 65 | 185 | 225 | 115 | 266 | 125 | 117 | 266 | 125 |
| PK 2 M10-P2 1p S | PK 2 M10-P2 3p S | 200 | 166 | 87 | M10-P2 | 65 | 185 | 225 | 115 | 266 | 125 | 117 | 266 | 125 |
| PK 2 M10-2P2 1p S | PK 2 M10-2P2 3p S | 200 | 166 | 87 | M10-2P2 | 65 | 185 | 225 | 115 | 266 | 125 | 117 | 266 | 125 |
| PK 2 P2-P2 1p S | PK 2 P2-P2 3p S | 200 | 166 | 87 | P2-P2 | 65 | 185 | 225 | 115 | 266 | 125 | 117 | 266 | 125 |
| PK 2 P2-2P2 1p S | PK 2 P2-2P2 3p S | 200 | 166 | 87 | P2-2P2 | 65 | 185 | 225 | 115 | 266 | 125 | 117 | 266 | 125 |
| PK 2 2P2-2P2 1p S | PK 2 2P2-2P2 3p S | 200 | 166 | 87 | 2P2-2P2 | 65 | 185 | 225 | 115 | 266 | 125 | 117 | 266 | 125 |
| PK 3 M12-M12 1p S | PK 3 M12-M12 3p S | 210 | 166 | 99 | M12-M12 | 65 | 208 | 240 | 127 | 266 | 135 | 130 | 266 | 148 |
| PK 3 M12-P3 1p S | PK 3 M12-P3 3p S | 210 | 166 | 99 | M12-P3 | 65 | 208 | 240 | 127 | 266 | 135 | 130 | 266 | 148 |
| PK 3 M12-2P3 1p S | PK 3 M12-2P3 3p S | 210 | 166 | 99 | M12-2P3 | 65 | 208 | 240 | 127 | 266 | 135 | 130 | 266 | 148 |
| PK 3 P3-P3 1p S | PK 3 P3-P3 3p S | 210 | 166 | 99 | P3-P3 | 65 | 208 | 240 | 127 | 266 | 135 | 130 | 266 | 148 |
| PK 3 P3-2P3 1p S | PK 3 P3-2P3 3p S | 210 | 166 | 99 | P3-2P3 | 65 | 208 | 240 | 127 | 266 | 135 | 130 | 266 | 148 |
| PK 3 2P3-2P3 1p S | PK 3 2P3-2P3 3p S | 210 | 166 | 99 | 2P3-2P3 | 65 | 208 | 240 | 127 | 266 | 135 | 130 | 266 | 148 |

*Protective barriers; included with 3p fuse bases or sold separately
 **Terminal covers and fuse covers; sold separately



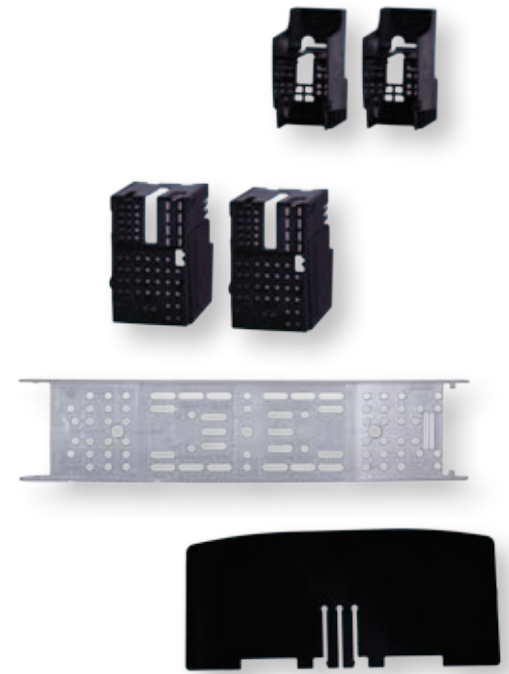
Type of connections

| [mm] | a | b | c | d | e _{max} | Tightening torque [Nm] | Connections |
|----------------|----|----|----|-----|------------------|------------------------|---|
| P00 | 24 | 15 | 15 | M5 | 25 | 2,6 | 10-70 Cu/Al |
| 2P00 | 24 | 15 | 15 | M5 | 35 | 2,6 | 2x(10-50) Cu/Al |
| P1 | 37 | 20 | 25 | M6 | 30 | 4,5 | 70-150 Cu/Al |
| P21 | 37 | 20 | 25 | M6 | 42 | 4,5 | 2x(75-95) Cu/Al |
| P2 | 42 | 22 | 28 | M8 | 40 | 11 | 120-240 Cu/Al |
| 2P2 | 42 | 22 | 28 | M8 | 55 | 11 | 2x(120-150) Cu/Al |
| P3 | 50 | 25 | 30 | M8 | 44 | 11 | 120-300 Cu/Al |
| 2P3 | 50 | 25 | 30 | M8 | 66 | 11 | 2x(120-240) Cu/Al |
| 2xM6 | 26 | 15 | 14 | M6 | 16 | 4 | 6-70 Cu |
| S12 | 36 | 16 | 25 | M6 | 25 | 9,5 | 25-150Cu |
| M8 | | | | M8 | 20 | 10 | |
| M10 | | | | M10 | 30 | 32 | |
| M12 | | | | M12 | 30 | 32 | |
| V shaped clamp | 35 | 23 | 58 | | 45 | 22 | SM: 50-240 Cu/Al SE: 300 Cu/Al RM: 37-70 Cu/Al RE: 25-50 Cu/Al |



Accessories

| Type | Code No. | Weight [g] | Packaging [pcs] |
|----------------------------|-----------|------------|-----------------|
| Terminal covers | | | |
| ZP PT 00-1 | 004129010 | 20 | 6 |
| ZP PT 1-1 | 004129012 | 47,5 | 6 |
| ZP PT 2-1 | 004129013 | 62 | 6 |
| ZP PT 3-1 | 004129014 | 73,5 | 6 |
| Fuse covers | | | |
| PZP PT 00-1 | 004129020 | 9,5 | 6 |
| PZP PT 1-1 | 004129022 | 25 | 6 |
| PZP PT 2-1 | 004129023 | 36,5 | 6 |
| PZP PT 3-1 | 004129024 | 45 | 6 |
| Protective barriers | | | |
| PR PK00 S | 004941320 | 17 | 20 |
| PR PK1 S | 004941321 | 47 | 20 |
| PR PK2 S | 004941322 | 56 | 20 |
| PR PK3 S | 004941323 | 62 | 20 |



Neutral Terminal Base / Earth Clamp

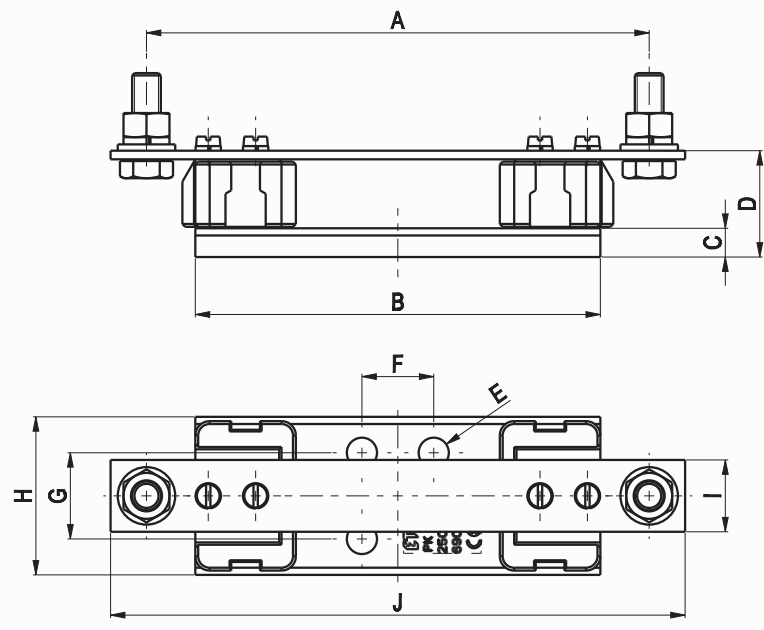
| Type | I _n [A] | Code No. | Weight [g] | Packaging [pcs] |
|------------------|--------------------|-----------|------------|-----------------|
| PK 00/0 M8-2M5 S | 160 | 004941410 | 187 | 3 |
| PK 1 M10-M10 S | 250 | 004941411 | 635 | 3 |
| PK 2 M10-M10 S | 400 | 004941412 | 1016 | 3 |
| PK 3 M12-M12 S | 630 | 004941413 | 1066 | 3 |

Technical data

| Size | 00 | 1 | 2 | 3 | |
|-----------------------------------|--------|-----|---------|---------|-----|
| Electrical characteristics | | | | | |
| Rated voltage U _n | V.a.c. | | 690 | | |
| Rated current I _n | A | 160 | 250 | 400 | 630 |
| Cable terminal | | | | | |
| Connection | M8-2M5 | | M10-M10 | M12-M12 | |
| Tightening torque | Nm | | 10-2,6 | 32 | |

Dimensions

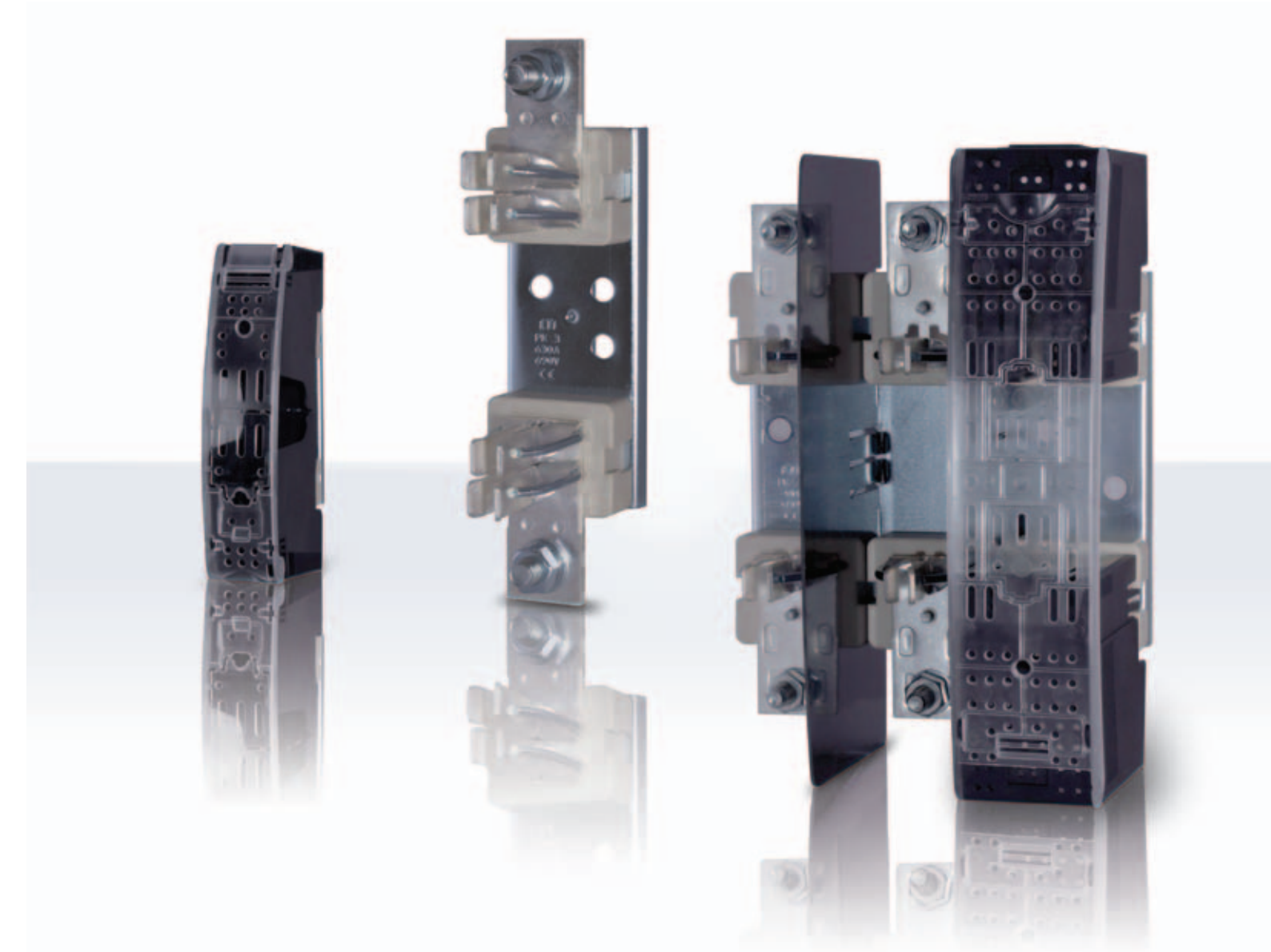
| [mm] | A | B | C | D | E | F | G | H | I | J |
|------------------|-----|-----|-----|------|-------|----|----|------|----|-----|
| PK 00/0 M8-2M5 S | 100 | 84 | 4,5 | 26,5 | Ø7,5 | 25 | 1 | 31 | 20 | 115 |
| PK 1 M10-M10 S | 175 | 141 | 10 | 38 | Ø10,5 | 25 | 30 | 55,5 | 26 | 200 |
| PK 2 M10-M10 S | 200 | 166 | 10 | 40 | Ø10,5 | 25 | 30 | 65 | 30 | 225 |
| PK 3 M12-M12 S | 210 | 166 | 10 | 40 | Ø10,5 | 25 | 30 | 65 | 30 | 240 |



New!



Fuse Bases with Ceramic Insulation for NH Fuses



New!

ETI Elektroelement d.d.
 Obrezija 5, SI - 1411 Izlake
 Slovenia
 Phone: + 386 03 56 57 570
 Fax: + 386 03 56 74 077
 eti@eti.si
 www.etigroup.eu