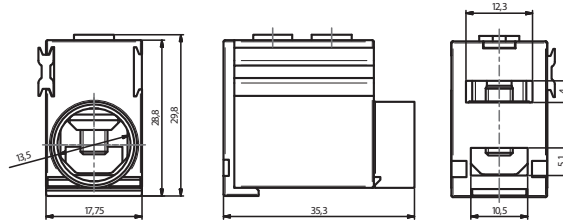


Accessories

Terminal for protective conductors

| type | length [m] | supply [mm ²] | outlet [mm ²] |
|------|------------|---------------------------|---------------------------|
| 2/6 | 0,056 | 2 x 22 | 6 x 14 |
| 2/8 | 0,086 | 2 x 22 | 8 x 14 |
| 2/12 | 0,092 | 2 x 22 | 12 x 14 |
| 2/18 | 0,128 | 2 x 22 | 18 x 14 |

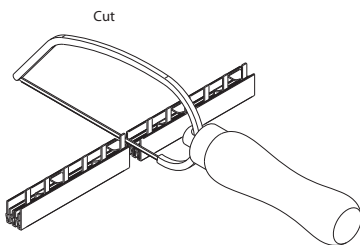


Technical data - Section rails for ETIMAT P10

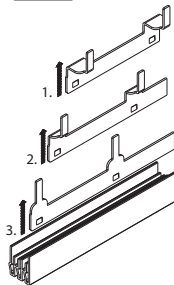
| Cross section | 10 mm ² | 16 mm ² | 25 mm ² |
|--|-----------------------------------|--------------------|--------------------|
| Feeding at beginning/ending | | | |
| Max. current I _s /Phase | 63 | 80 | 100 |
| Cross section of connection, mm ² | 10 | 16 | 25 |
| Feeding in the middle | | | |
| Max. current I _e /Phase | 100 | 130 | 170 |
| Cross section of connection, mm ² | 25 | 35 | 2x25 |
| Heat deflection temperature PVC | 80°C flame resistant | | |
| Comparative tracking index PVC | 300V | | |
| Standards | EN 60947-1:2007/ IEC 60947-1:2007 | | |
| Climate stability | DIN EN 60068 | | |
| Insulation coordination | Degree of pollution 2 | | |
| Electrical data | | | |
| Impulse voltage strength | ≥4,5 kV | | |
| Min. air distance | > 5,5 mm | | |
| Min. creeping distance | > 5 mm | | |
| Max. operating voltage | 690 V AC/DC | | |
| Protection class | IP20 | | |
| Short circuit rating | ICC 15kA NH 250A gL 500V | | |
| Dielectric strenght | ≥ 32 kV/mm | | |
| Material | | | |
| | Material | Surface | |
| Busbar | Copper | plain | |
| Insulation | PVC lead-free | grey RAL 7035 | |
| Endcover | moulded | | |

Ampacity at 35 °C ambient temperature depending of feeding point

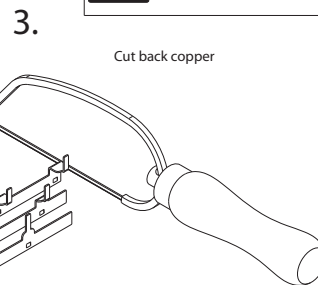
1. ATTENTION: To prevent electrical shock, disconnect from power source before installing or servicing.



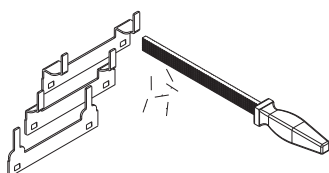
2. Danger: Installation by electricians only



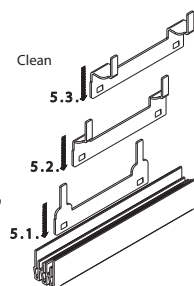
Due to security purposes all shortened busbars need to be covered with suitable endcovers.



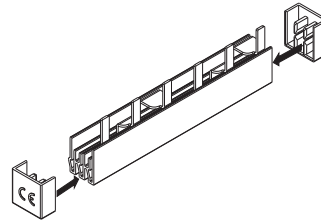
4. Burr:



5. Clean:

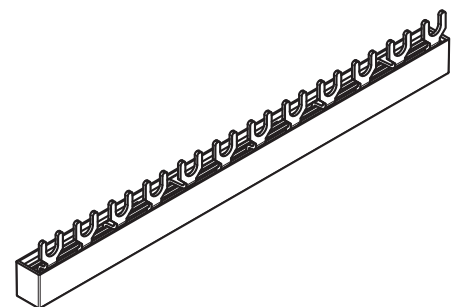
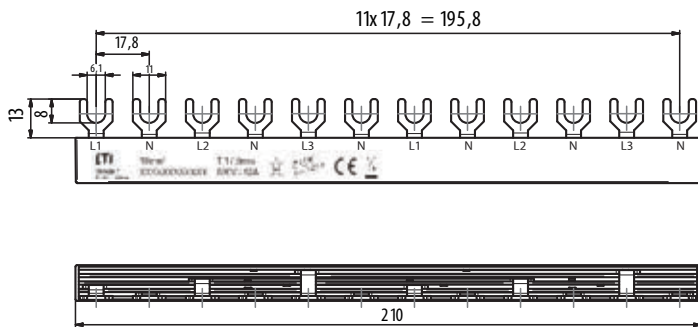
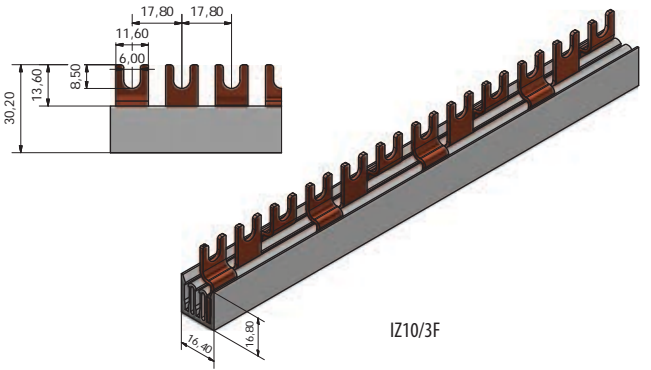
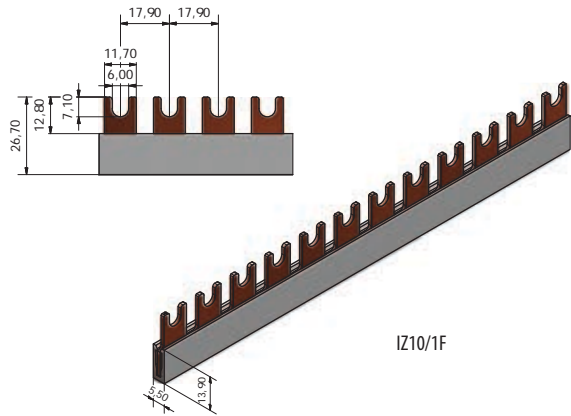
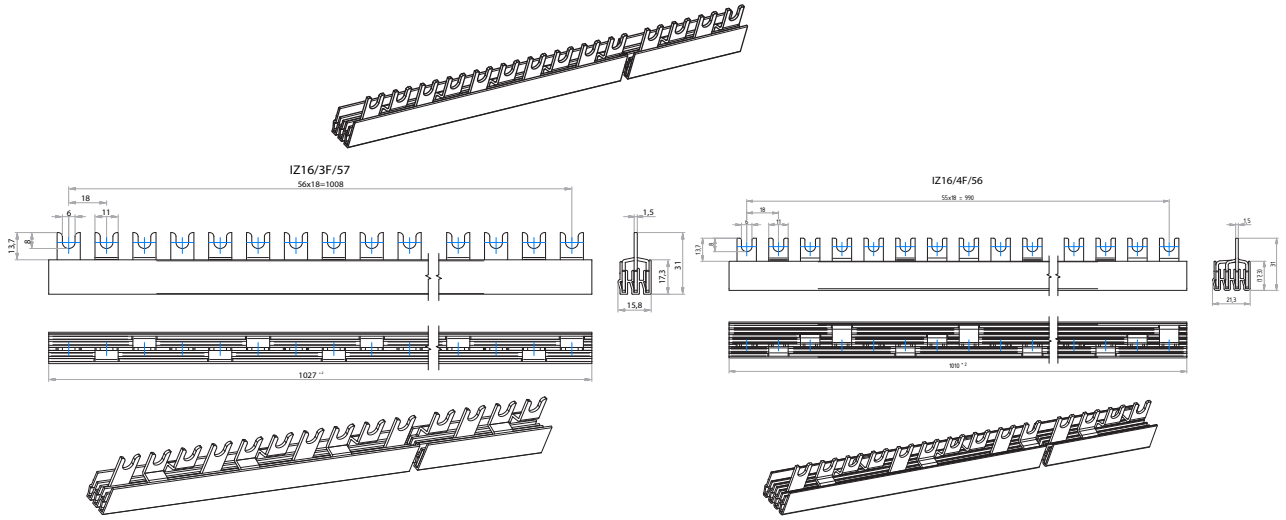
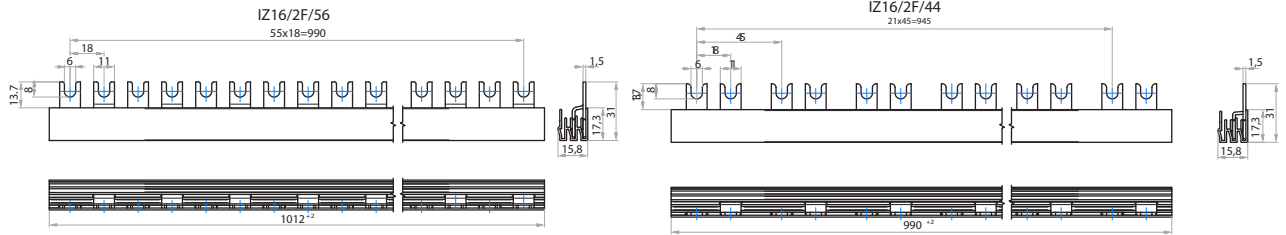


6. Attach end cover:

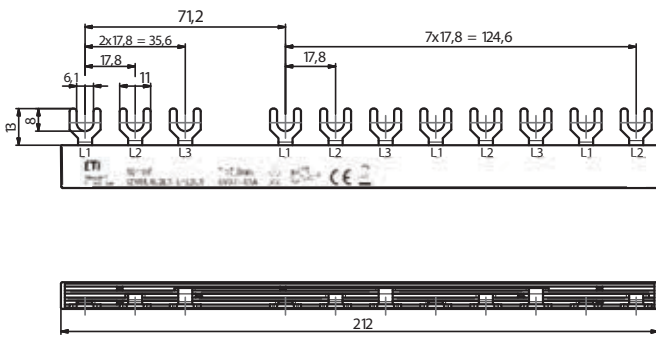


Technical data

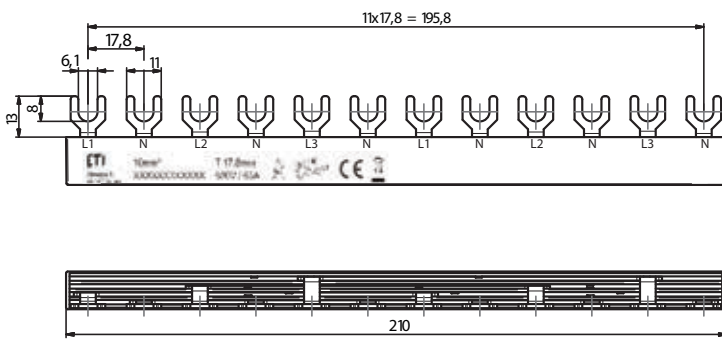
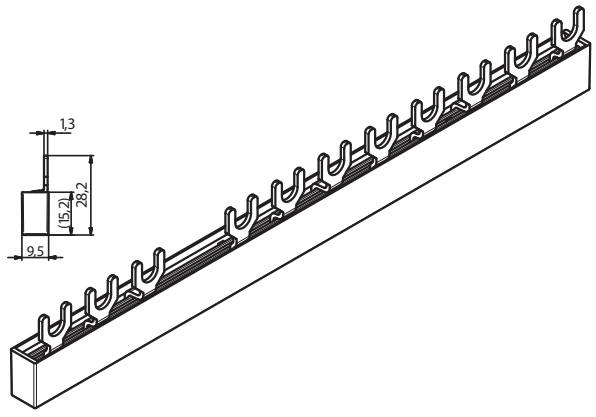
Dimensions



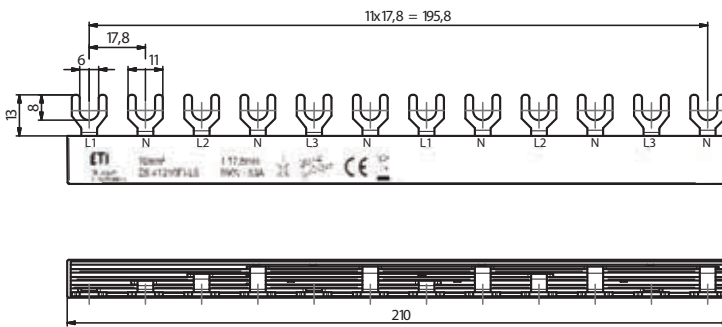
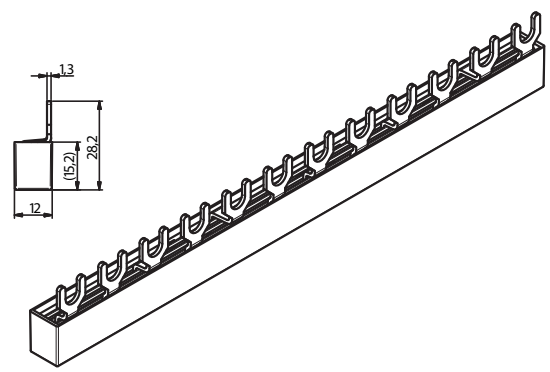
IZ10/L1NL2NL3N/12



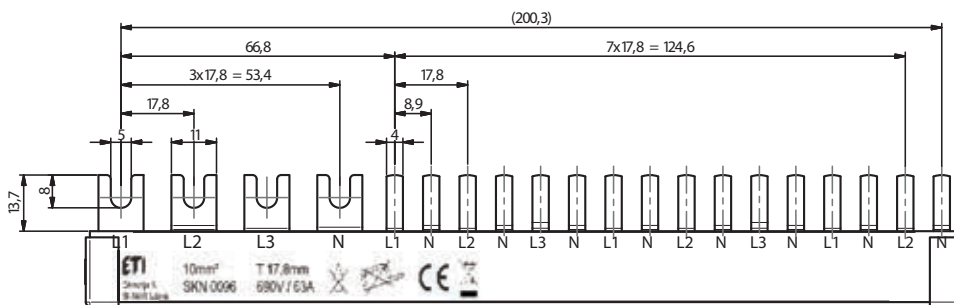
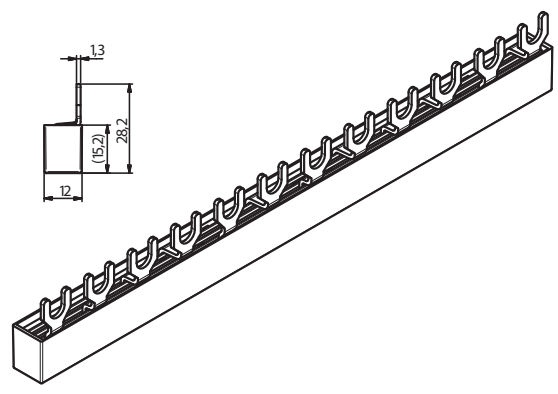
IZ10/L1L2L3_L1L2L3



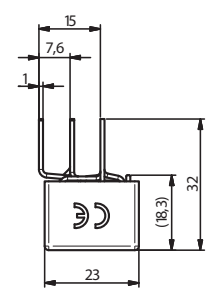
IZ10/L1NL2NL3N/12



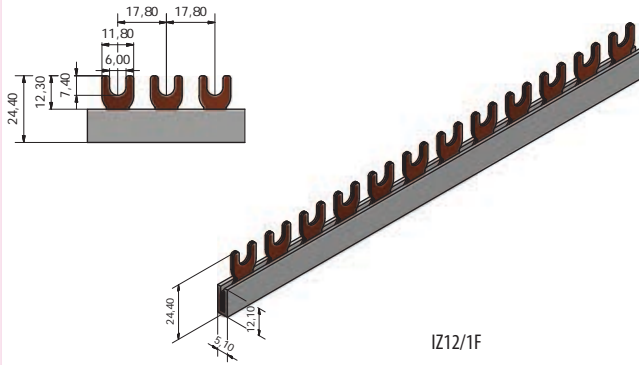
IZ10/L1L2L3NL1NL2NL3N



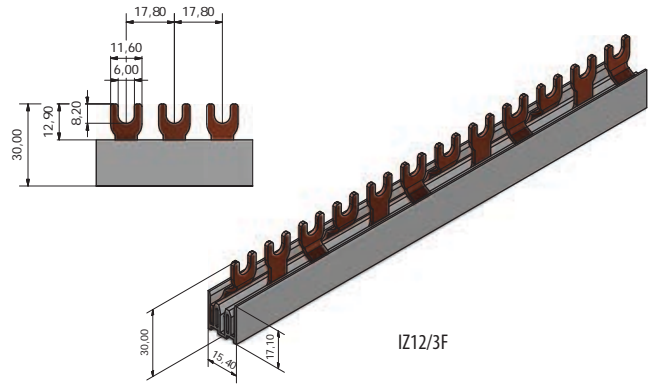
IZ10/L1L2L3NL1/NL2/NL3/N



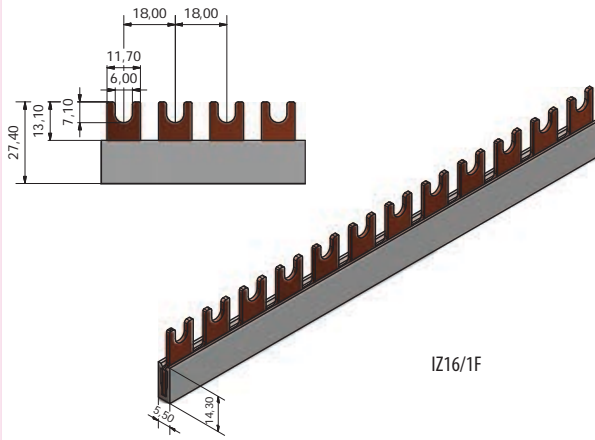
Technical data



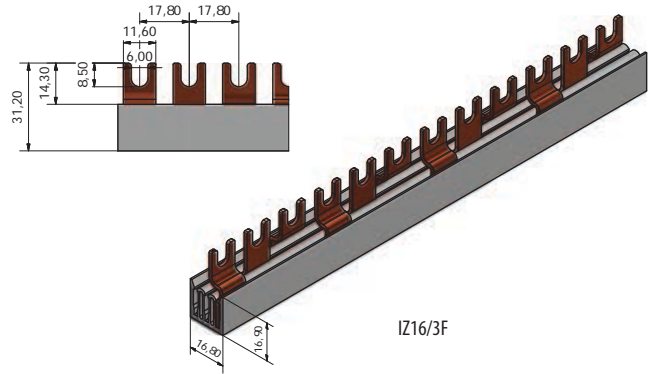
IZ12/1F



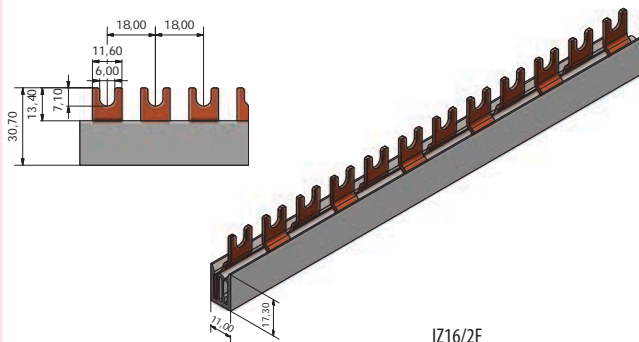
IZ12/3F



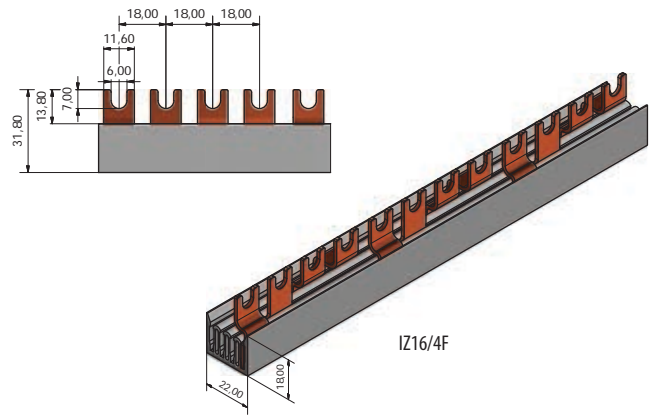
IZ16/1F



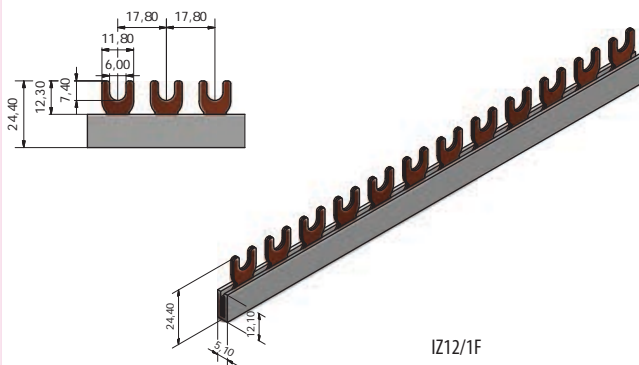
IZ16/3F



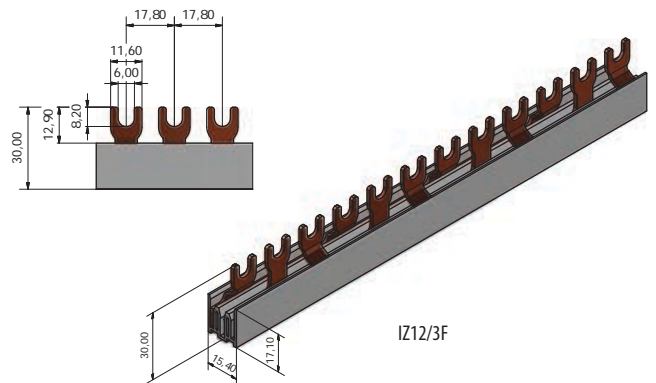
IZ16/2F



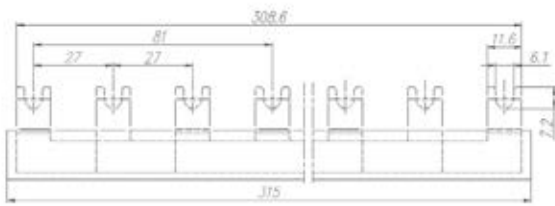
IZ16/4F



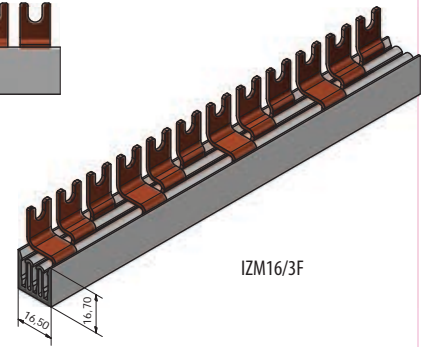
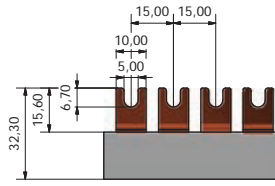
IZ12/1F



IZ12/3F



IZ16_3F_12_STV

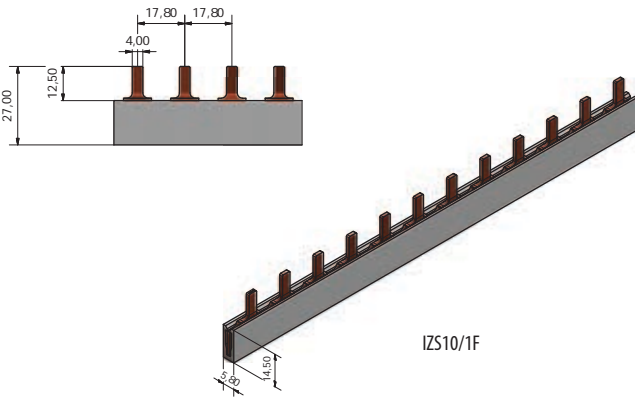


IZM16/3F

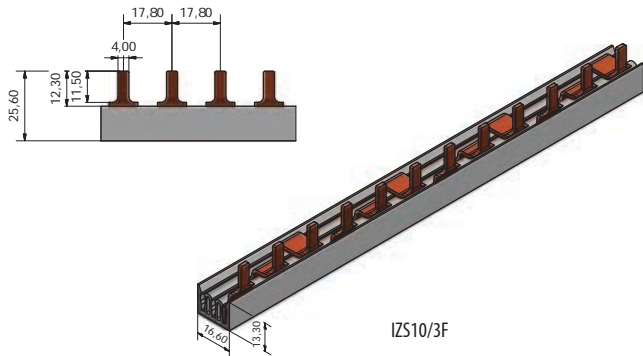
IZ-S rails

| | |
|-----------------------|---------------------|
| Nominal voltage | max. 500V |
| Dielectric strength | 2,5 kV |
| Insulating resistance | > 5 MΩ (DIN 53482) |
| Temperature range | -20°C ... + 50°C |
| Glow wire test | 850°C (IEC 695-2-1) |
| Self-extinguishing | V-0 |
| Standards | EN 60947-7-1 |

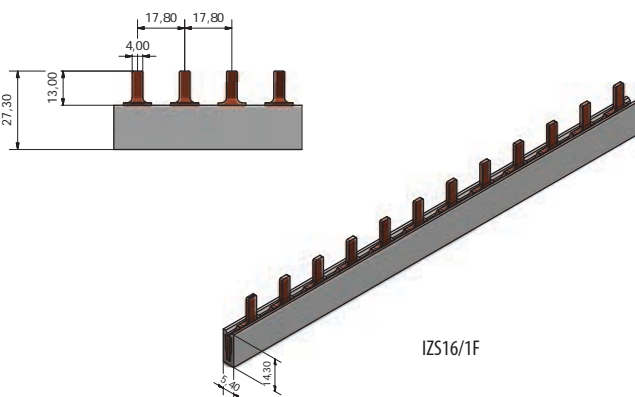
| cross section | Rated current (A) |
|--------------------|-------------------|
| 10 mm ² | 63 |
| 12 mm ² | 80 |
| 16 mm ² | 100 |



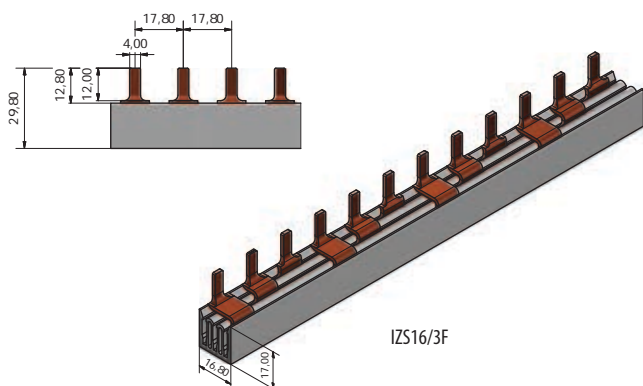
IZS10/1F



IZS10/3F

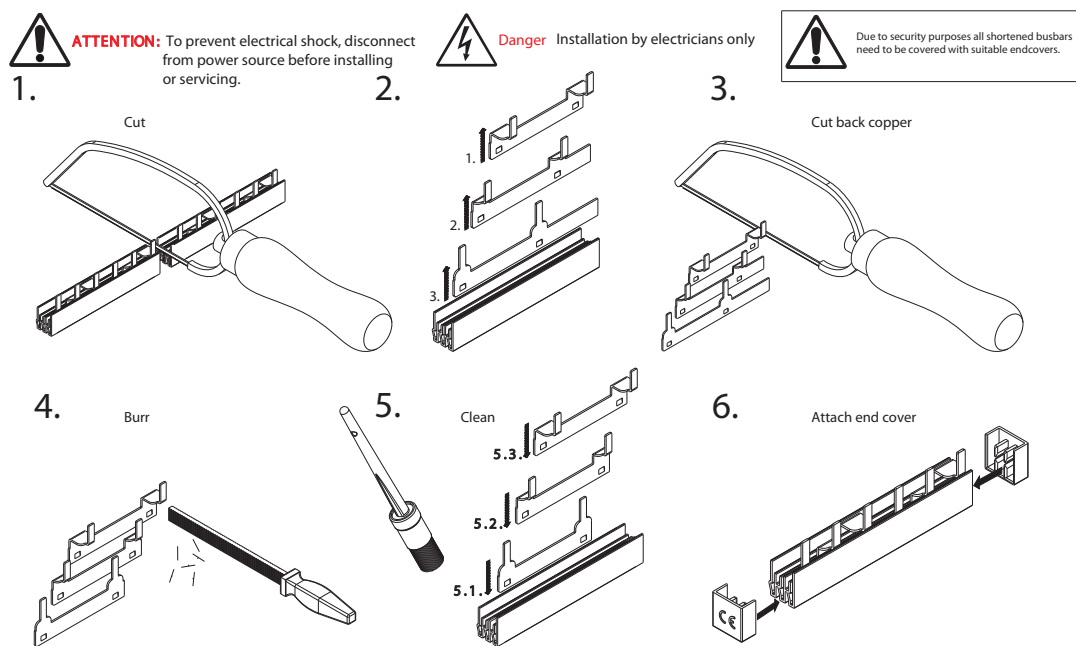


IZS16/1F

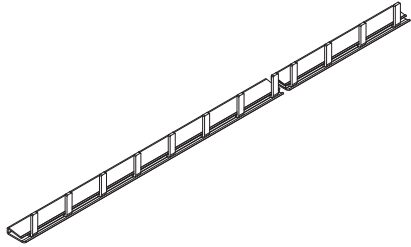
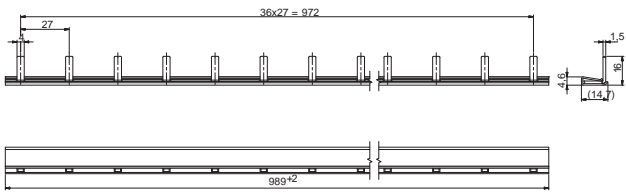


IZS16/3F

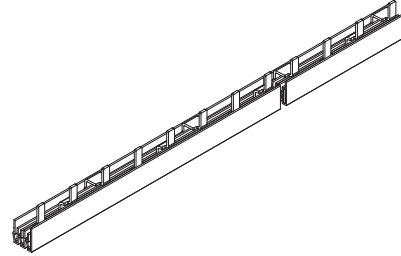
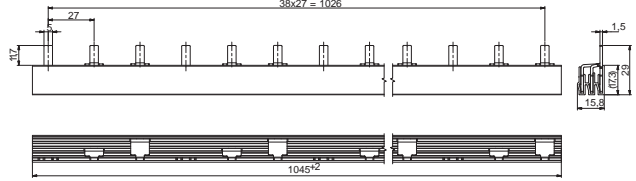
| Technical data - Section rails for EFD | | |
|--|-----------------------------------|--------------------|
| Cross section | 16 mm ² | 50 mm ² |
| Feeding at beginning/ending | | |
| Max. current I _s /Phase | 80 | 160 |
| Cross section of connection, mm ² | 16 | 50 |
| Feeding in the middle | | |
| Max. current I _e /Phase | 130 | 250 |
| Cross section of connection, mm ² | 35 | 2x50 |
| Heat deflection temperature PVC | 80°C flame resistant | |
| Comparative tracking index PVC | 300V | |
| Standards | EN 60947-1:2007/ IEC 60947-1:2007 | |
| Climate stability | DIN EN 60068 | |
| Insulation coordination | Degree of pollution 2 | |
| Electrical data | | |
| Impulse voltage strength | ≥4,5 kV | |
| Min. air distance | > 5,5 mm | |
| Min. creeping distance | > 5 mm | |
| Max. operating voltage | 690 V AC/DC | |
| Protection class | IP20 | |
| Short circuit rating | ICC 15kA NH 250A gL 500V | |
| Dielectric strenght | ≥ 32 kV/mm | |
| Material | | |
| | Material | Surface |
| Busbar | Copper | plain |
| Insulation | PVC lead-free | grey RAL 7035 |
| Endcover | moulded | |



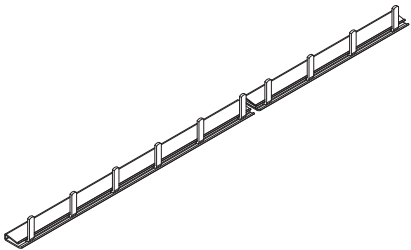
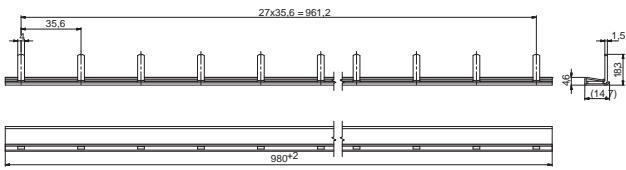
IZ16/1F/37



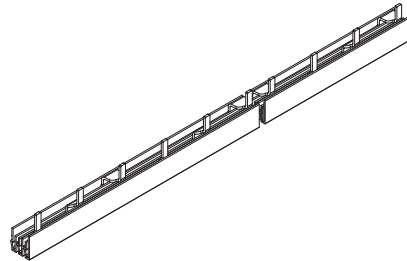
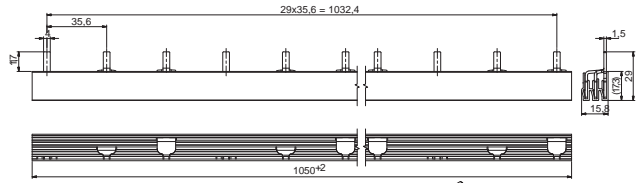
IZ16/3F/37



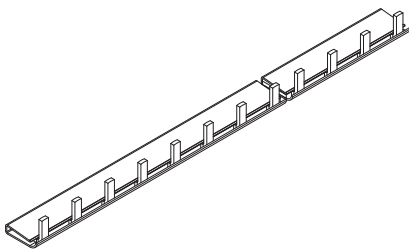
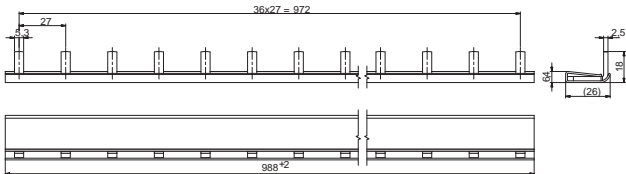
IZ16/1F/28



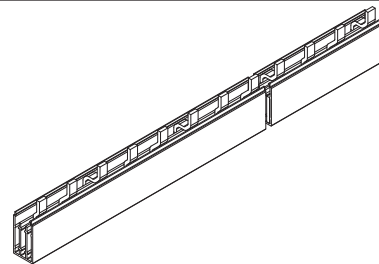
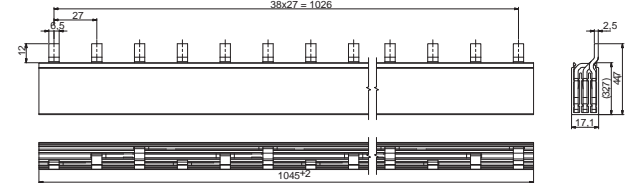
IZ16/3F/28



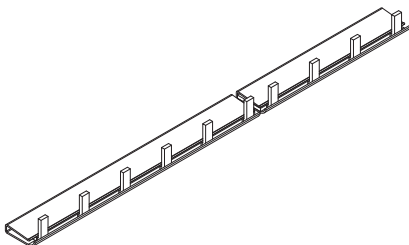
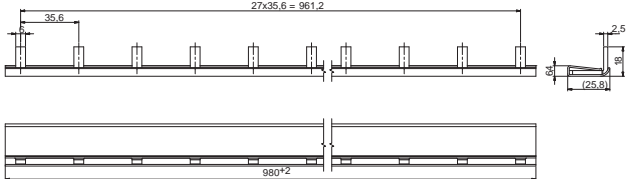
IZ50/1F/37



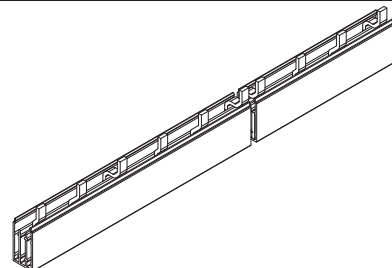
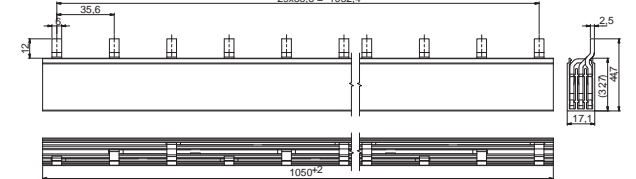
IZ50/3F/37



IZ50/1F/28

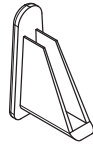
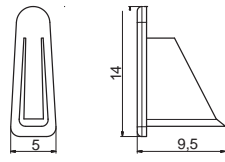


IZ50/3F/28

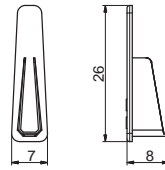


Technical data

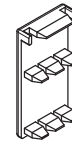
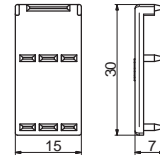
Z-16/1F/37



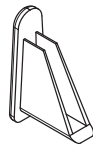
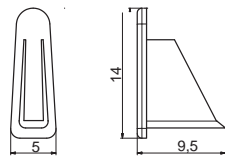
Z-50/1F/37



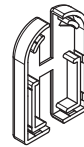
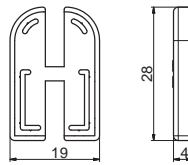
Z-50/3F/39



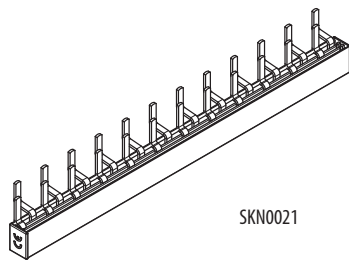
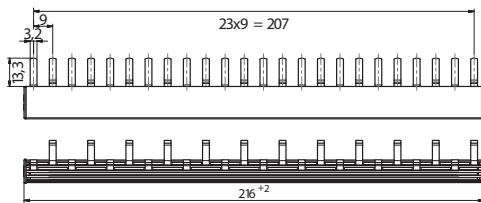
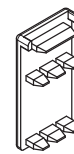
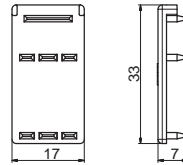
Z-16/1F/28



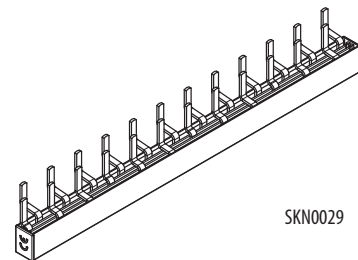
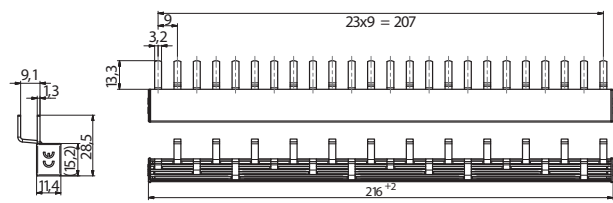
Z-50/1F/28



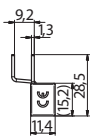
Z-50/3F/30

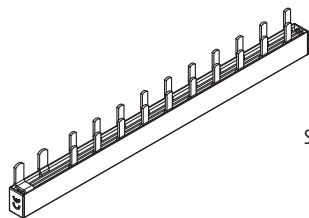
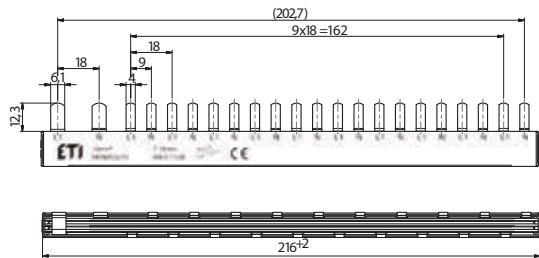


SKN0021

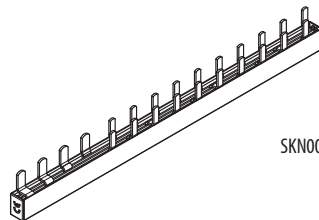
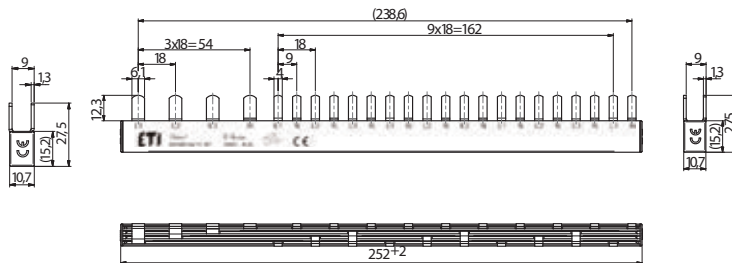


SKN0029





SKN0032



SKN0034 3P